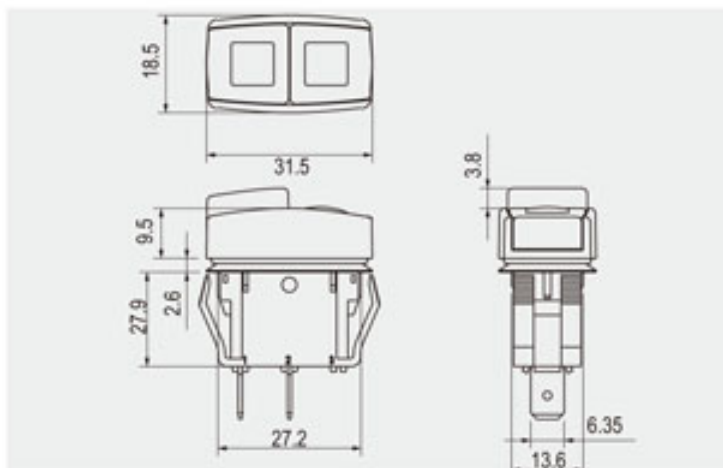


R13-526

IP56



Rating
16A 125V AC 1/3 HP 10A 250V AC 1/2 HP 10(4)A 250V AC
Contact resistance
50mΩ Max
Insulation resistance
DC 500V 100MΩ Min
Dielectric strength
AC 1500V 1 minute
Cut-out

FEATURES

- * MATERIAL: Frame and Actuator are nylon (UL flame:94V-2). Terminals are silver plated brass.
- * Illuminated actuators are molded in PC, available with red, amber, green, blue and white colors.
- * Snap-in mounting, easy to install switch into panel.
- * Water proof and dust proof to fit IP-56.
- * Waterproof IPX6 of this switch is effective by the mounting panel sealed only.
- * Application: Vacuum cleaner, machine.



	X	Y
0 1	27.6±0.1	13.8±0.1
3-4	27.8±0.1	13.8±0.1
4-5	28.0±0.1	13.8±0.1

R13-526 - - -

	FUNCTION	TERMINAL
A	<p>2P SPST</p>	0 1 .250" SQ
B	<p>3P SPST (NEON) 125VAC 33KΩ / 250VAC 150KΩ</p>	0 5 SO
C	<p>3P SPDT</p>	