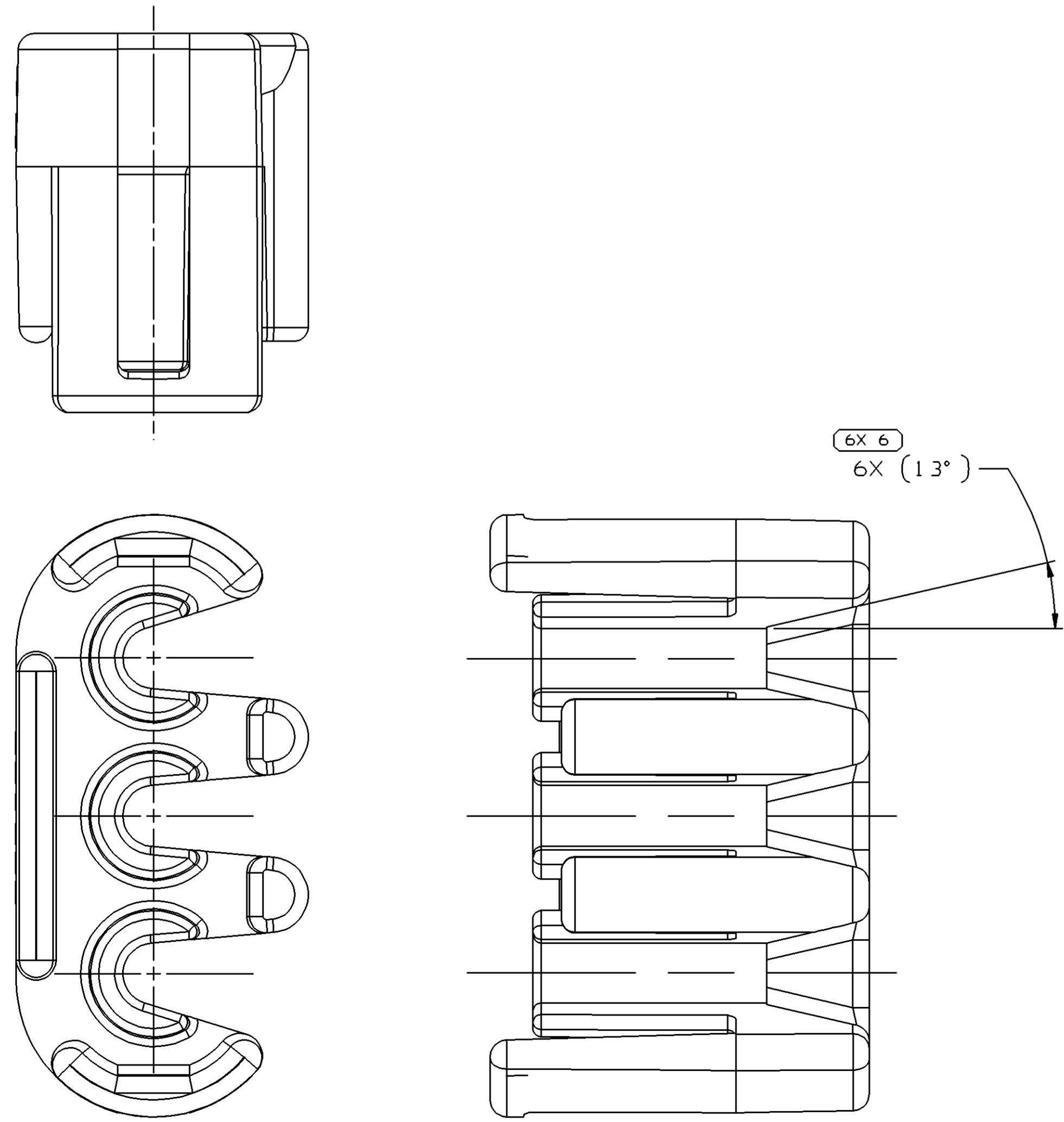
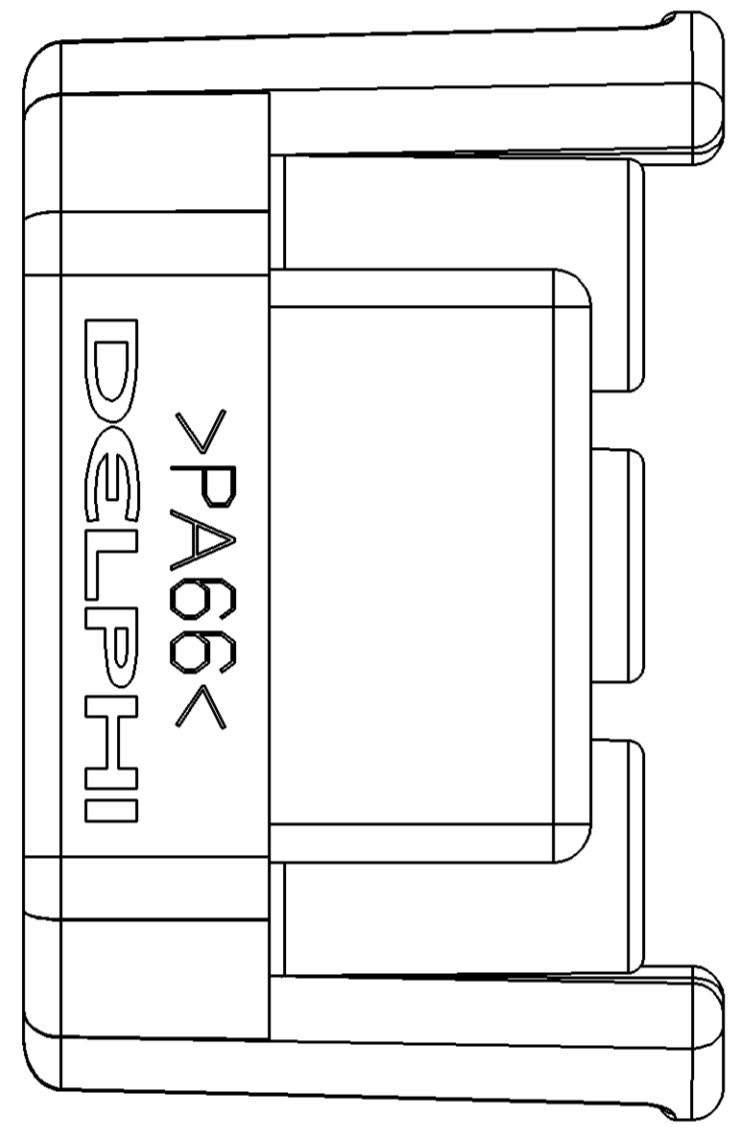
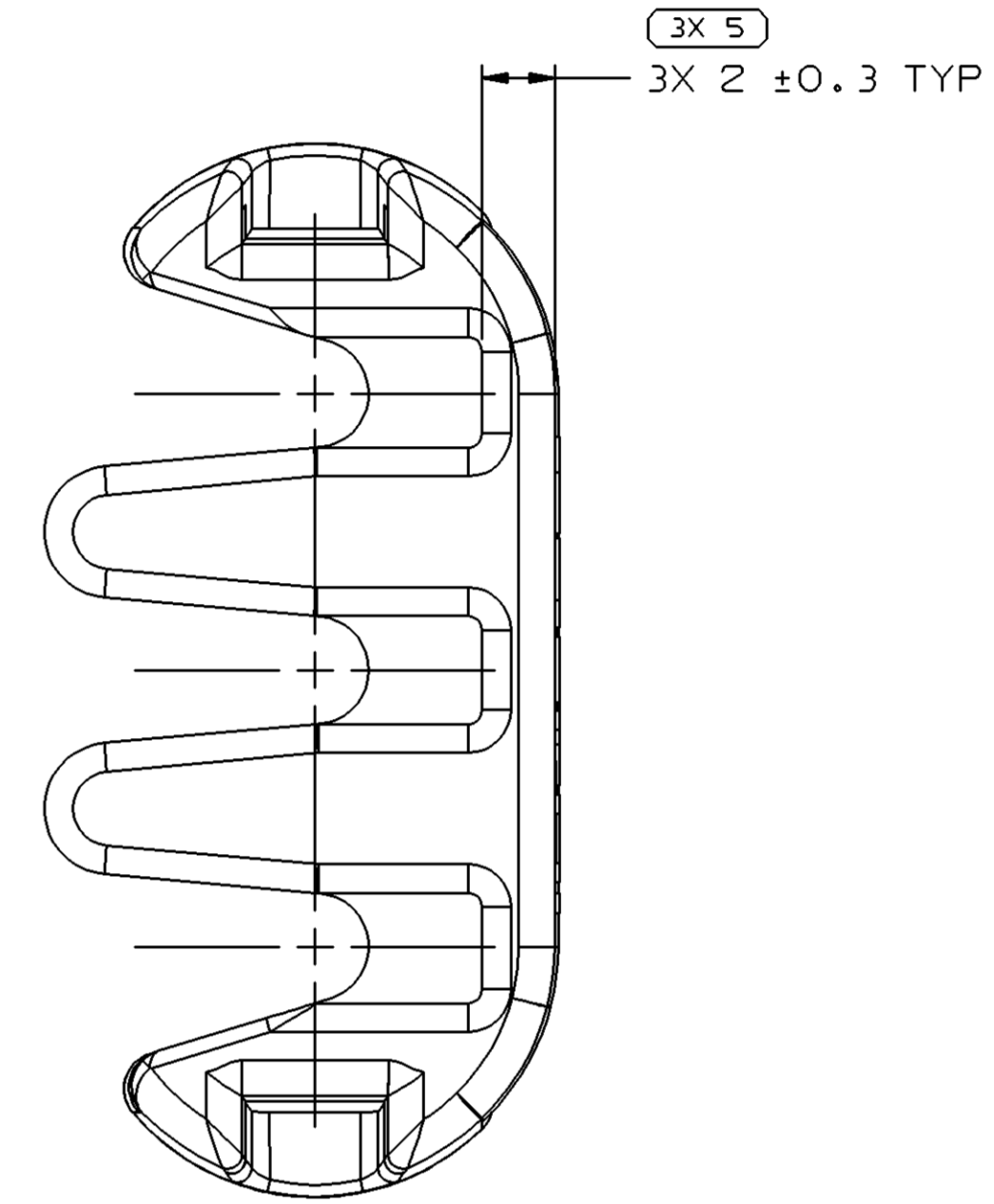
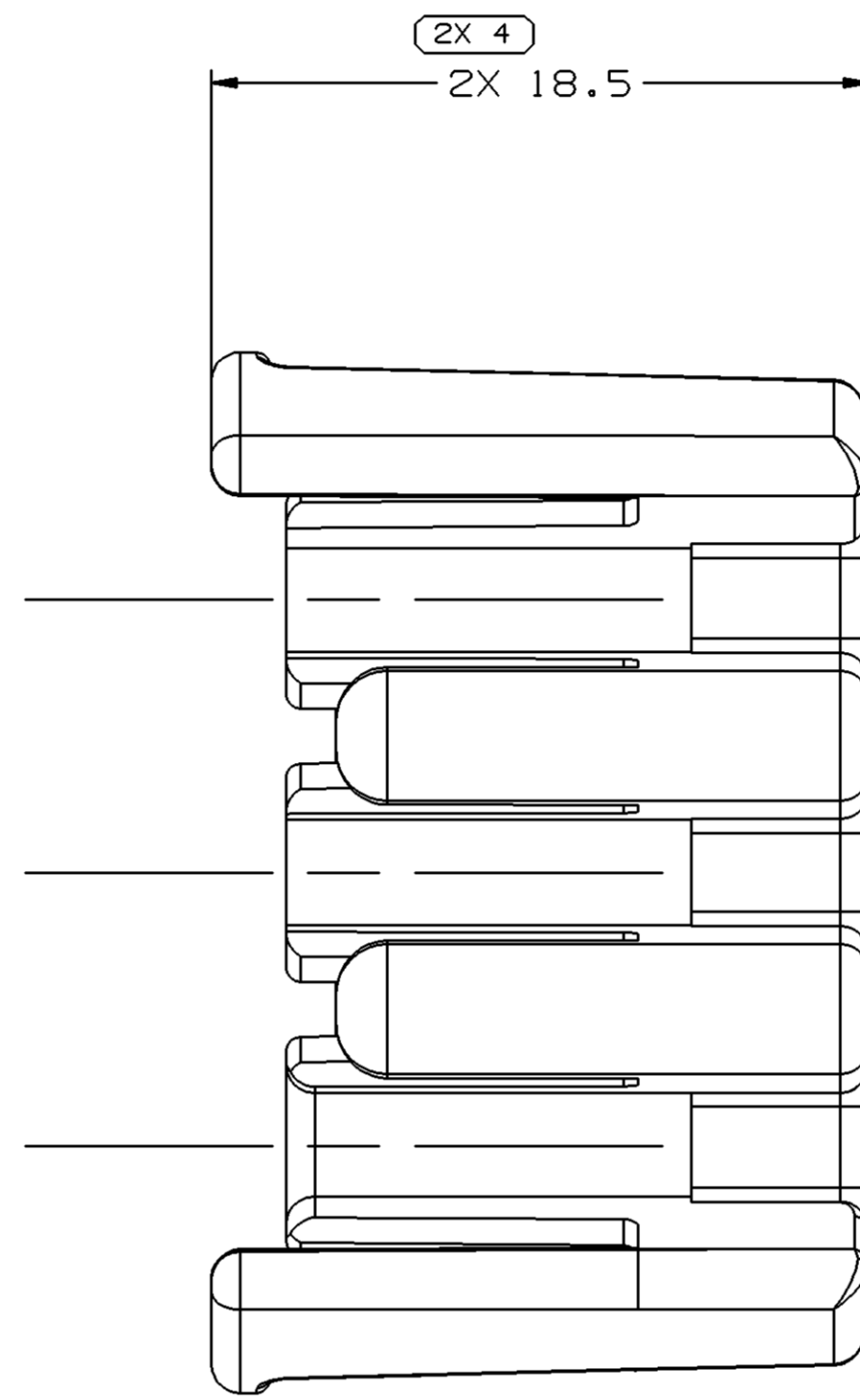
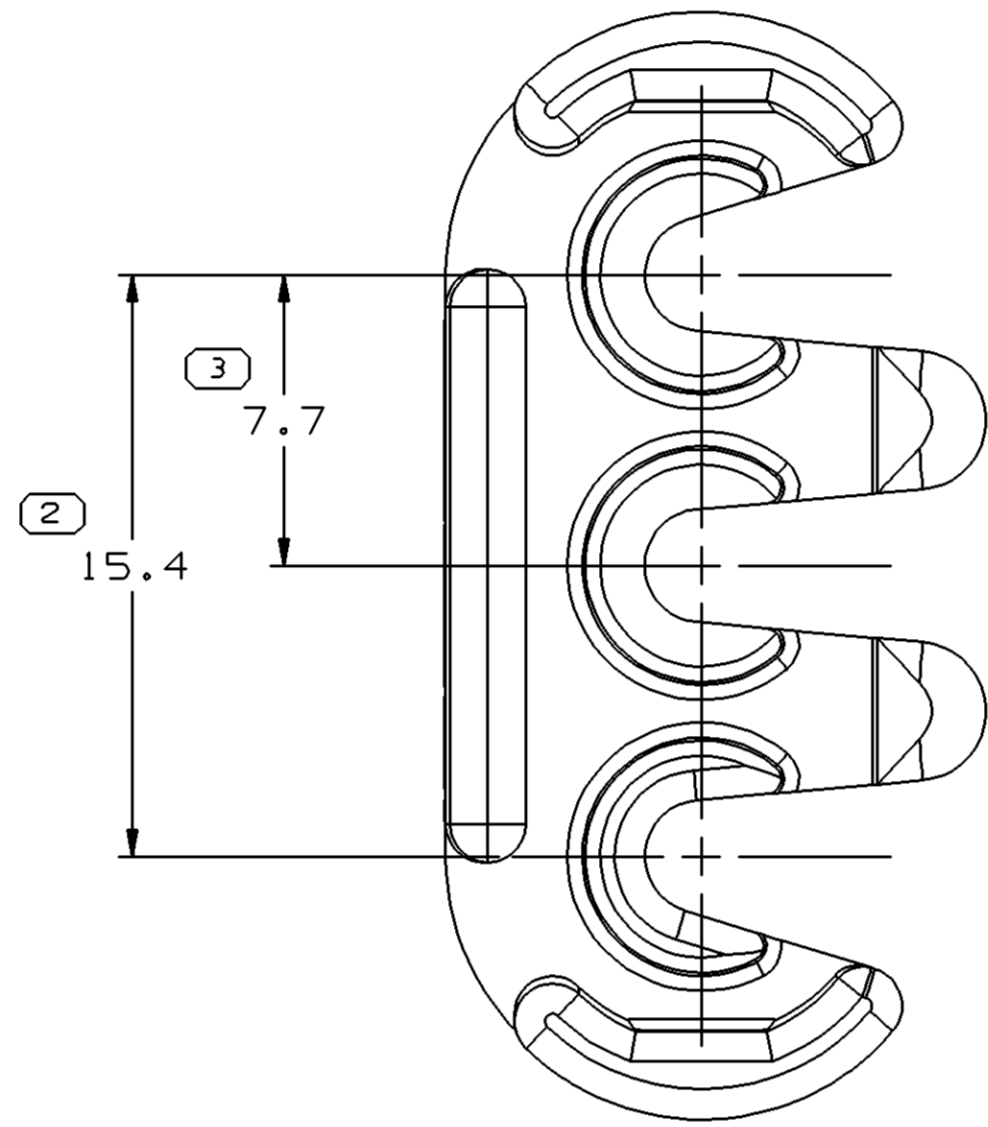
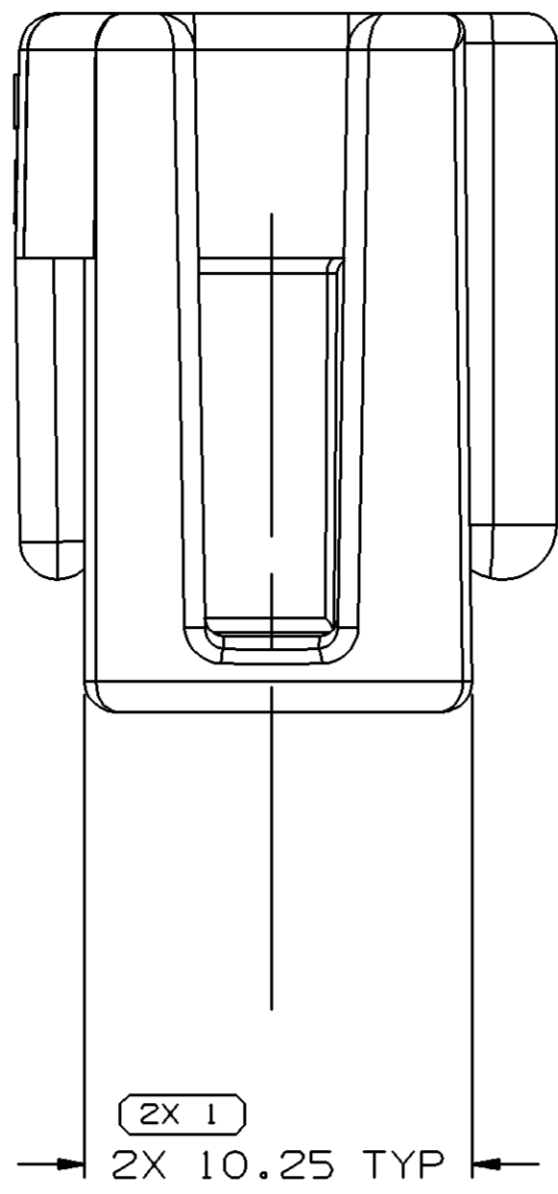


SYMBOL DEFINITION		MISSING SYMBOLS	
A DIMENSION WITHOUT AN INSPECTION REPORT SYMBOL ( ) OR ( ) DOES NOT REQUIRE INSPECTION. IT MAY BE CONTROLLED ON THE INDIVIDUAL COMPONENT DRAWING.	TOTAL NO OF INSPECTIONS REQUIRED	15	NO MISSING SYMBOL NUMBER
( ) INDICATES THE DIMENSION IS SHOWN ON THE PART DRAWING AND THE TOOL MUST BE QUALIFIED AT 80% OF THE TOLERANCE SHOWN UNLESS SUPERSEDED BY A "TBT".	LAST NO. USED	6	

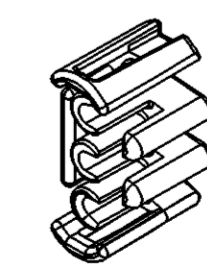
DWO STATUS				REVISION HISTORY				AUTH	DR	APVD1	APVD2
DATE	STG	REV	N/P	CHG	ZONE						
24SE02	R	05	-	-		CREATED PD, ADDED OPTIONAL LOGO & MAT'L RECYCLING CODE NOTES AND MAT'L SPEC WAS R0067548 PA6 BLK		228956	AFM	EDV	RC
24JA03	R	05	AA	-		CREATED OPTIONAL CONSTRUCTION AND REVISED GRAPHICS		235467	JVD	JVD	RC
23JN04	R	05	AB	-		ADDED OPTIONAL CONSTRUCTION VIEWS		256127	LLJ	LLJ	TM



NOTES

- UNLESS OTHERWISE SPECIFIED AND/OR INDICATED: DIMENSIONS ARE TO FACE OF VIEW SHOWN AND AUTOMATICALLY ROUNDED BY COMPUTER FOR INSPECTION (SEE MATH MODEL FOR PRECISE DIMENSIONS). FOR ALL OTHER DIMENSIONS NOT SHOWN BUT REQUIRED FOR TOOL BUILD, SEE MATH MODEL FOR PRECISE TOOL PATH DATA.
- MATERIAL RECYCLING CODE PER ISO 11469. (2.3)X(0.1) CHARACTERS AS SHOWN TO BE LOCATED ON ANY EXTERIOR SURFACE.
- MATING COMPONENTS OR EQUIVALENT: CONNECTORS 12034146 & 12040977.
- (2.3)X(0.1) DELPHI CORPORATE BRAND TO BE LOCATED ON ANY EXTERIOR SURFACE, PREFERABLY VISIBLE AT FINAL ASSEMBLY. OPTIONAL CONSTRUCTION TO BE "PED".

OPTIONAL CONSTRUCTION



DWO TYPE		PART DRAWING	
VOLUME (OP)	2,627	DISTR CODE	D
ROUTING	6900		
UNLESS OTHERWISE SPECIFIED			
THIS DOCUMENT IS IN ACCORDANCE WITH ASME Y14.5M-1994 AS AMENDED BY THE 2018 DIMENSIONING AND TOLERANCING ADDENDUM - 1997. ALL GEOMETRIC TOLERANCES AND RELATED DATUM APPLICABLE TO ALL FEATURES UNLESS OTHERWISE SPECIFIED.			
MDCI DOES NOT APPLY WHEN RELATIONSHIP BETWEEN FEATURES IS ESTABLISHED BY ORIENTATION OR LOCATION TOLERANCES. SEPARATE POSITION DATUMS MAY BE GAGED SEPARATELY, REGARDLESS OF DATUM REFERENCE.			
ALL DIMENSIONS ARE IN MILLIMETERS			
REFERENCE		THIRD ANGLE PROJECTION	
DO NOT SCALE		USE MATH DATA	

<b>DELPHI</b>						
DELPHI PACKARD ELECTRIC SYSTEMS WARREN, OH						
DR	DATE					
APVD1 A. FLORES	08AU02					
APVD2 E. VAZQUEZ	08AU02					
APVD3 R. CORZAS	08AU02					
APVD4						
APVD5						
SUBSTANCES OF CONCERN AND RECYCLED CONTENT PER DELPHI 10949001						
MATERIAL M3592001 PA66 HS 1M BLK						
DRAWING NAME						
LOCK TPA M/P 280 3 BLK						
DRAWING NUMBER						
12034145						
SIZE	SCALE	FRAME NO	SHEET NO	STG	REV	N/P
A0	5:1	1	1	1	R	05

R 0.2 MAX SHARP CORNER TOLERANCE	R 0.1 MAX	DIMENSIONAL RANGE (MM)		CHART ET							
		FROM	TO	PROJECTION	SCALE						
		> 0	> 20	> 30	> 70	> 100	> 150	> 200	> 250	> 300	> 400
		TOLERANCE UNLESS OTHERWISE SPECIFIED		ANGULAR TOLERANCE 12°							
		±0.15	±0.2	±0.3	±0.4	±0.5	±0.6	±0.8	±1	±1.2	