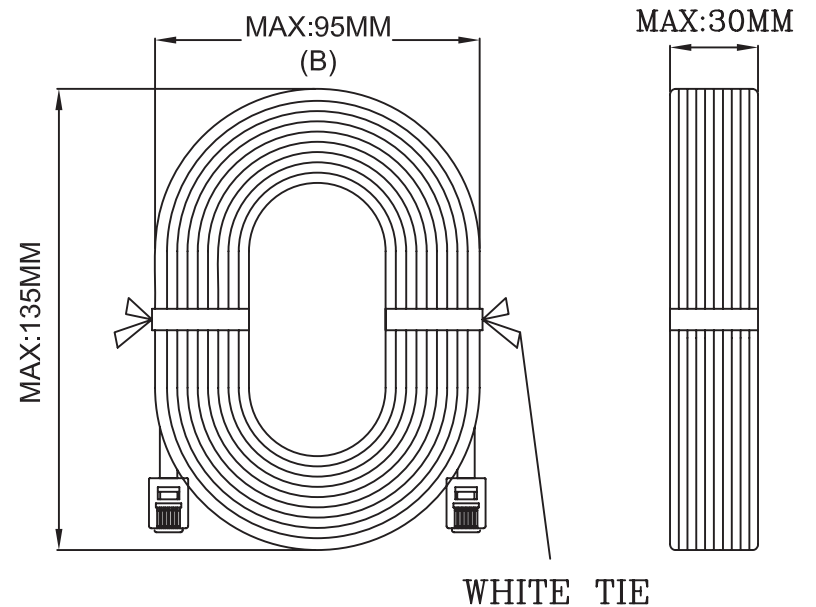


P1	P2
2	2 BLACK
3	3 RED
4	4 GREEN
5	5 YELLOW



B	PLUG	US PLUG 6P4C 15U" (GREEN PART)	PCS	2
A	CABLE	FLAT CABLE 4C 26AWG 7/0.16 PVC+PP WHITE JACKET OD:2.4*4.8±0.2MM (GREEN PART)	PCS	1
ITEM NO	ITEM	DESCRIPTION	UNIT	QTY

DRAW	<i>vicky</i>	UNIT	MM
INSPECTED		CUS.PART NO.	11.04.1915
APPROVED		CUSTOMER	
TITLE	US056WB643N40/15M		
DRAWING NO.	E2307	REV	B

TOLERANCE GENERALES					
PLASTIC DIMENSION	X	X.X	X.XX	CABLE LENGTH	X
tolerance(±)	1	0.5	0.20	tolerance(±)	2%

ECN.NO	NO2307
NO.	US056
DATE	07-09-11
Rotronic Co., Ltd	