

## Description

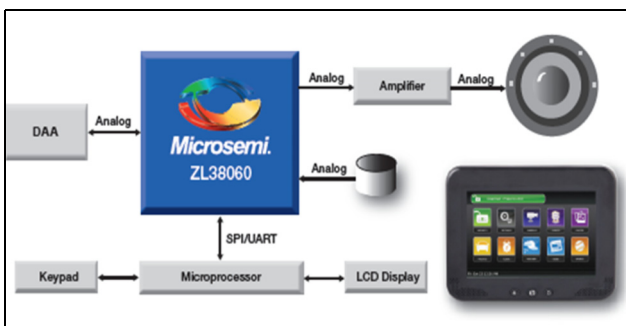
The ZL38060 is part of Microsemi's new Timberwolf audio processor family of products that feature the company's innovative *AcuEdge* acoustic technology, which is a set of highly-complex and integrated algorithms. These algorithms are incorporated into a powerful DSP platform that allow the user to extract intelligible information from the audio environment.

The Microsemi *AcuEdge* Technology ZL38060 device is designed for applications of the connected home. Its license-free, royalty-free intelligent audio Firmware (ZLS38060) provides Acoustic Echo Cancellation (AEC), Noise Reduction (NR) and a variety of other voice enhancements to improve both the intelligibility and subjective quality of voice in harsh acoustic environments.

Microsemi offers additional tools to speed up the product development cycle. The *MiTuner™* ZLS38508 or ZLS38508LITE GUI software packages allow a user to interactively configure the ZL38060 device. The optional *MiTuner* ZLE38470BADA Automatic Tuning Kit provides automatic tuning and easy control for manual fine tuning adjustments.

## Applications

- Intercoms
- Security systems
- Integrated smart home gateways



**Connected Wallpad Block Diagram**

Document ID# 149143

Version 5

November 2015

### Ordering Information

Device OPN	Package	Packing
ZL38060LDF1	64-pin QFN (9x9)	Tape & Reel
ZL38060LDG1	64-pin QFN (9x9)	Tray

*These packages meet RoHS 2 Directive 2011/65/EU of the European Council to minimize the environmental impact of electrical equipment.*

## Microsemi *AcuEdge* Technology ZLS38060 Firmware

- Full Narrowband and Wideband Acoustic Echo cancellation operation
  - Supports long tail AEC (up to 256 ms)
  - Non-Linear AEC provides higher tolerance for speaker distortions
  - Non-Linear processor
- G.168 Line Echo Canceller
- Howling detection/cancellation
  - Prevents oscillation in AEC audio path
- Advanced noise reduction reduces background noise from the near-end speech signal using Psychoacoustic techniques
- Keypad scanner (up to a 7x7 array)
- Provisions for stereo audio mixing (sample rate of 44.1 or 48 kHz) and stereo music record and playback (sample rate of 48 kHz) with 8 kHz or 16 kHz voice processing
- Comfort noise generation
- Telephone signal detection and generation
  - Programmable tone generation (DTMF)
  - DTMF receiver
  - Caller ID Type 1 & 2 detection
  - Call Progress tone detection
- Various encoding/decoding options:
  - 16-bit 2's complement (linear)
  - G.722, G.711 A/μ law
- Send and receive path equalizers
  - 16-band for Narrowband mode
  - 22-band for Wideband mode
- 44.1/48 kHz bypass mode
- Cross Point Switch provides signal mixing

## ZL38060 Hardware Features

- DSP with Voice Hardware Accelerators
- Dual  $\Delta\Sigma$  16-bit digital-to-analog converters (DAC)
  - Sampling up to 48 kHz and internal output drivers
  - Headphone amps capable of 4 single-ended or 2 differential outputs
  - 32 mW output drive power into 16 ohms
  - Impulse pop/click protection
- 1 Digital Microphone input supporting 1 or 2 Microphones
- 2 TDM ports shared between PCM and Inter-IC Sound (I<sup>2</sup>S)
  - Each port can be a clock master or a slave
  - Each port supports delayed and non-delayed (GCI) timing and I<sup>2</sup>S normal and left justified modes
  - Each port provides sample rate conversion and synchronous and asynchronous TDM bus operation
- SPI or I<sup>2</sup>C Slave port for host processor interface
- General purpose UART port for debug
- Master SPI port for serial Flash interface
- Boots from SPI or Flash
  - Can run unattended (controllerless), self-booting into a configured operational state
  - Flash firmware can be updated from SPI Slave
- Crystal-less operation (with a valid TDM clock)
- 14 General Purpose Input/Output (GPIO) pins
- 2 low power modes controlled by reset

## Performance

- AEC Tail Length: 256 ms
- AEC sampling rate: 8 kHz or 16 kHz
- Single-Talk Weighted Terminal Coupling Loss (TCLw): > 60 dB
- Double-Talk TCLw: > 40 dB
- Double-Talk Attenuation: > 3 dB
- Noise reduction up to 30 dB

## The *MiTuner*™ Automatic Tuning Kit and ZLS38508 MiTuner GUI

Microsemi's Automatic Tuning Kit option includes:

- Audio Interface Box hardware
- Microphone and Speaker
- ZLS38508 *MiTuner* GUI software
  - Allows tuning of Microsemi's *AcuEdge* Technology Audio Processor

The ZLS38508 software features:

- Auto Tuning and Subjective Tuning support
- Allows tuning of key parameters of the system design
- Provides visual representations of the audio paths with drop-down menus to program parameters, allowing:
  - Control of the audio routing configuration
  - Programming of key building blocks in the transmit (Tx) and receive (Rx) audio paths
  - Setting analog and digital gains
- Configuration parameters allow users to “fine tune” the overall performance



## Tools

- ZLK38000 Evaluation Kit
- *MiTuner*™ ZLS38508 and ZLS38508LITE GUI
- *MiTuner*™ ZLE38470BADA Automatic Tuning Kit

## Table of Contents

<b>1.0 ZL38060 Device Overview</b>	<b>7</b>
<b>2.0 Audio Interfaces</b>	<b>9</b>
2.1 Digital Microphone Interface	9
2.1.1 Digital Microphone Connections	10
2.1.2 Analog Microphone Use	11
2.2 DAC Output	11
2.2.1 Output Driver Configurations	12
2.2.2 DAC and Reference Bias Circuits	13
<b>3.0 Digital Interfaces</b>	<b>14</b>
3.1 TDM Interface	14
3.1.1 I2S Mode	15
3.1.2 PCM Mode	17
3.1.3 GCI Mode	19
3.2 Cross Point Switch	19
3.3 Host Bus Interface	20
3.3.1 SPI Slave	20
3.3.2 I2C Slave	23
3.3.3 UART	23
3.3.4 Host Interrupt Pin	23
3.4 Master SPI	23
3.4.1 Flash Interface	24
3.4.1.1 Flash Selection	25
3.5 GPIO	27
3.5.1 Keypad Scanner	27
3.5.1.1 Keypad Interface	28
<b>4.0 Reset</b>	<b>29</b>
<b>5.0 Power Supply</b>	<b>29</b>
5.1 Power Supply Sequencing/Power up	29
5.1.1 Power Supply Considerations	29
5.1.1.1 External +1.2 V Power	30
5.1.1.2 Internal +1.2 V Power	31
5.1.1.3 Ultra-Low Power Mode	32
<b>6.0 Device Booting</b>	<b>33</b>
6.1 Boot Loader	33
6.2 Bootstrap Modes	33
6.3 Loadable Device Code	34
6.3.1 Boot Speed	34
6.4 Bootup Procedure	34
<b>7.0 Device Pinout</b>	<b>35</b>
<b>8.0 Pin Descriptions</b>	<b>36</b>
<b>9.0 Electrical Characteristics</b>	<b>42</b>
9.1 Absolute Maximum Ratings	42
9.2 Thermal Resistance	42
9.3 Operating Ranges	42
9.4 Device Operating Modes	43
9.4.1 Normal	43
9.4.2 Low-Power	43
9.4.3 Sleep	43
9.4.4 Reset	43
9.4.5 Ultra-Low Power	44
9.4.6 Current Consumption	44

---

## Table of Contents

9.5 DC Specifications .....	45
9.6 AC Specifications .....	45
9.6.1 Microphone Interface .....	45
9.6.2 DAC .....	46
9.7 External Clock Requirements .....	48
9.7.1 Crystal Application .....	48
9.7.2 Clock Oscillator Application .....	49
9.7.3 PCLKA (Crystal-less) Application .....	49
9.7.4 AC Specifications - External Clocking Requirements .....	50
<b>10.0 Timing Characteristics .....</b>	<b>50</b>
10.1 TDM Interface Timing Parameters .....	51
10.1.1 GCI and PCM Timing Parameters .....	51
10.1.2 I2S Timing Parameters .....	54
10.1.2.1 I2S Slave .....	54
10.1.2.2 I2S Master .....	55
10.2 Host Bus Interface Timing Parameters .....	56
10.2.1 SPI Slave Port Timing Parameters .....	56
10.2.2 I2C Slave Interface Timing Parameters .....	57
10.3 UART Timing Parameters .....	58
10.4 Master SPI Timing Parameters .....	59
<b>11.0 AEC Tuning .....</b>	<b>60</b>
<b>12.0 Package Outline .....</b>	<b>61</b>
<b>13.0 Revision History .....</b>	<b>63</b>

## List of Figures

Figure 1 - Home Automation Wideband Intercom Application . . . . .	7
Figure 2 - ZL38060 Connected Home Audio Processor . . . . .	8
Figure 3 - Single Mono Digital Microphone Interface . . . . .	10
Figure 4 - Dual Microphone or Stereo Digital Microphone Interface . . . . .	10
Figure 5 - ECM Circuit . . . . .	11
Figure 6 - Audio Output Configurations . . . . .	12
Figure 7 - ZL38060 Bias Circuit . . . . .	13
Figure 8 - I2S Mode . . . . .	15
Figure 9 - Left Justified Mode. . . . .	16
Figure 10 - Dual Codec Configuration . . . . .	16
Figure 11 - TDM - PCM Slave Functional Timing Diagram (8-bit, xeDX = 0). . . . .	17
Figure 12 - TDM - PCM Slave Functional Timing Diagram (8-bit, xeDX = 1). . . . .	18
Figure 13 - TDM - PCM Master Functional Timing Diagram (8-bit, xeDX = 0). . . . .	18
Figure 14 - TDM - PCM Master Functional Timing Diagram (8-bit, xeDX = 1). . . . .	18
Figure 15 - TDM - GCI Slave Functional Timing Diagram . . . . .	19
Figure 16 - TDM - GCI Master Functional Timing Diagram . . . . .	19
Figure 17 - SPI Slave Byte Framing Mode - Write . . . . .	21
Figure 18 - SPI Slave Byte Framing Mode - Read . . . . .	21
Figure 19 - SPI Slave Word Framing Mode - Write, Multiple Data Words . . . . .	21
Figure 20 - SPI Slave Word Framing Mode - Read, Multiple Data Words . . . . .	22
Figure 21 - SPI Slave Command Framing Mode - Write . . . . .	22
Figure 22 - SPI Slave Command Framing Mode - Read . . . . .	22
Figure 23 - Flash Interface Circuit . . . . .	24
Figure 24 - A 3x4 Keypad Array Implementation . . . . .	28
Figure 25 - External +1.2 V Power Supply Configuration . . . . .	30
Figure 26 - Internal +1.2 V Power Supply Configuration . . . . .	31
Figure 27 - Ultra-Low Power Operation Circuit . . . . .	32
Figure 28 - ZL38060 Device Pinout (64-Pin QFN) - Top View . . . . .	35
Figure 29 - THD+N Ratio versus Output Power - Driving Low Impedance . . . . .	47
Figure 30 - THD+N Ratio versus VRMS - Driving High Impedance. . . . .	47
Figure 31 - Crystal Application Circuit . . . . .	48
Figure 32 - Clock Oscillator Application Circuit . . . . .	49
Figure 33 - Crystal-less Application Circuit . . . . .	49
Figure 34 - Timing Parameter Measurement Digital Voltage Levels . . . . .	50
Figure 35 - GCI Timing, 8-bit . . . . .	52
Figure 36 - PCM Timing, 8-bit with xeDX = 0 (Transmit on Negative PCLK Edge) . . . . .	52
Figure 37 - PCM Timing, 8-bit with xeDX = 1 (Transmit on Positive PCLK Edge) . . . . .	53
Figure 38 - Slave I2S Timing . . . . .	54
Figure 39 - Master I2S Timing . . . . .	55
Figure 40 - SPI Slave Timing . . . . .	57
Figure 41 - I2C Timing Parameter Definitions . . . . .	58
Figure 42 - UART_RX Timing . . . . .	58
Figure 43 - UART_TX Timing. . . . .	58
Figure 44 - Master SPI Timing . . . . .	59
Figure 45 - AIB System Board Connection . . . . .	60
Figure 46 - Recommended Land Pattern (64-Pin QFN) - Top View. . . . .	61
Figure 47 - ZL38060 (64-Pin QFN) Package Drawing. . . . .	62

---

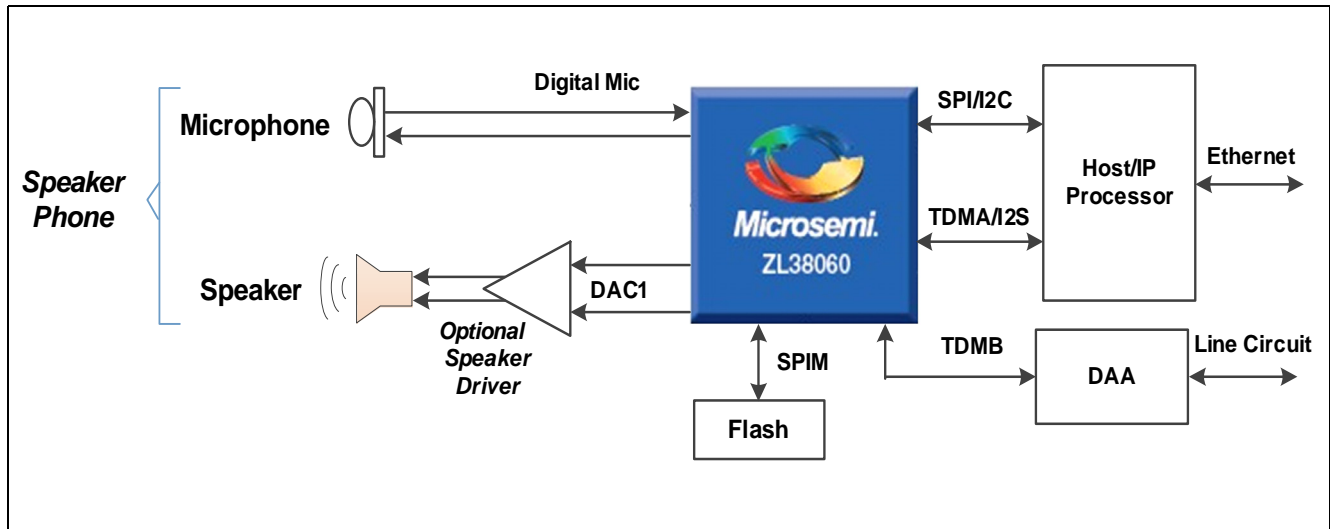
## List of Tables

Table 1 - Allowable TDM Configurations . . . . .	14
Table 2 - HBI Slave Interface Selection . . . . .	20
Table 3 - Flash Devices Tested with the ZL38060 . . . . .	25
Table 4 - Supported Flash Types . . . . .	26
Table 5 - GPIO Pin Muxing . . . . .	27
Table 6 - Q1 Component Options . . . . .	31
Table 7 - Bootstrap Modes . . . . .	33
Table 8 - Reset Pin Description . . . . .	36
Table 9 - DAC Pin Descriptions . . . . .	36
Table 10 - Microphone Pin Descriptions . . . . .	36
Table 11 - TDM and I2S Ports Pin Descriptions . . . . .	37
Table 12 - HBI - SPI Slave Port Pin Descriptions . . . . .	39
Table 13 - Master SPI Port Pin Descriptions . . . . .	39
Table 14 - Oscillator Pin Descriptions . . . . .	40
Table 15 - UART Pin Descriptions . . . . .	40
Table 16 - GPIO Pin Descriptions . . . . .	40
Table 17 - Supply and Ground Pin Descriptions . . . . .	41
Table 18 - No Connect Pin Description . . . . .	41
Table 19 - List of Changes to the Preliminary Data Sheet . . . . .	63

### 1.0 ZL38060 Device Overview

The ZL38060 Audio Processor powered by ZLS38060 *AcuEdge™* Technology Firmware is ideal for connected home applications. The connected home is about enabling users to talk to each other through connected devices. Connected devices could include integrated smart home gateways, intercoms, or Media Centers. Microsemi *AcuEdge™* Technology enables the full duplex operation between the connected devices to deliver on seamless high definition (HD) voice communication in complex noise environments.

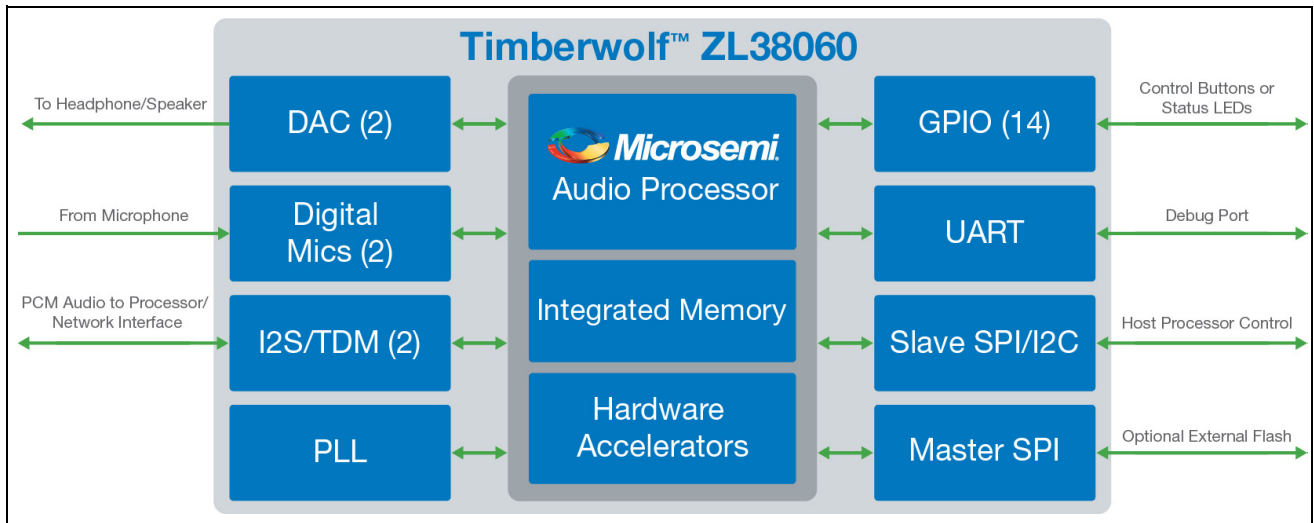
A typical connected home application is presented in [Figure 1](#).



**Figure 1 - Home Automation Wideband Intercom Application**

The majority of the signal processing (AEC, Equalization, Noise Reduction etc.) runs in the Audio Processor Block. Each of the audio inputs (Digital Mics, I<sup>2</sup>S/TDM) and outputs (DACs, I<sup>2</sup>S/TDM) can be routed amongst themselves or to the Audio Processor via a highly configurable Cross Point Switch.

The main functional blocks of the ZL38060 device are shown in [Figure 2](#), a description of each block follows.



**Figure 2 - ZL38060 Connected Home Audio Processor**

The ZL38060 provides the following peripheral digital ports:

- SPI – The device provides two Serial Peripheral Interface (SPI) ports
  - The SPI Slave port is recommended as the main communication port with a host processor. The port provides the fastest means to Host Boot and configure the device's firmware and configuration record\*.
  - The Master SPI port is used to Auto Boot and load the device's firmware and configuration record from external Flash memory
- I<sup>2</sup>C - The device provides one Inter-Integrated Circuit (I<sup>2</sup>C) port. (pins are shared with the SPI Slave port)
  - The I<sup>2</sup>C port can be used as the main communication port with a host processor, and can be used to Host Boot and configure the device's firmware and configuration record
- TDM – The device provides two Time-Division Multiplexing (TDM) buses
  - The ports can be configured for Inter-IC Sound (I<sup>2</sup>S) or Pulse-Code Modulation (PCM) operation
  - PCM operation supports PCM and GCI timing, I<sup>2</sup>S operation supports I<sup>2</sup>S and left justified timing
  - Each port can be a clock master or a slave
  - Each port supports up to four bi-directional streams when configured in PCM mode or two bi-directional streams when configured for I<sup>2</sup>S mode at data rates from 128 kb/s to 8 Mb/s
  - Sample rate conversions are automatically done when data is sent/received at different rates than is processed internally
- UART – The device provides one Universal Asynchronous Receiver/Transmitter (UART) port
  - The UART port can be used as a debug tool and is used for tuning purposes
- GPIO – The device provides 14 General Purpose Input/Output (GPIO) ports
  - GPIO ports can be used for the keypad interface, interrupt and event reporting, fixed function control, bootstrap options, as well as being used for general purpose I/O for communication and controlling external devices

\* Note: The configuration record is a set of register values that are customizable by the application developer to configure and tune the ZL38060 for a particular design. Refer to the Microsemi AcuEdge™ Technology ZLS38060 Firmware Manual for firmware and configuration record information.



The ZL38060 provides the following peripheral audio ports:

- 1 digital microphone interface allowing sampling of up to 2 digital microphones
- 2 independent headphone drivers
  - Dual 16-bit digital-to-analog converters (DACs)
  - 16 ohms single-ended or differential drive capability
  - 32 mW output drive power into 16 ohms

## **2.0 Audio Interfaces**

### **2.1 Digital Microphone Interface**

The ZL38060 supports up to two digital microphones.

The ZL38060 digital microphone clock output (DMIC\_CLK) is either 1.024 MHz or 3.072 MHz depending on the selected TDM-A sample rate. Selecting an 8 kHz or 16 kHz TDM-A sample rate corresponds to a 1.024 MHz digital microphone clock and selecting a 48 kHz sample rate corresponds to a 3.072 MHz digital microphone clock. Microphone data is decimated and filtered to operate at the 8 kHz or 16 kHz sampling rate of the Audio Processing block. When there is no TDM-A bus to set the sample rate, the ZL38060 will operate from the crystal or clock oscillator and will pass digital audio from the microphones operating at a 48 kHz sampling rate.

Of the two possible microphone audio paths, only one may be routed to the voice processing algorithms at a time, the other path may be routed to the TDM bus for use by the host or an external Codec. Alternatively the host processor can switch the different microphones to the voice processing inputs. AEC is performed only on the microphone selected to go to the ZL38060 voice processing section.

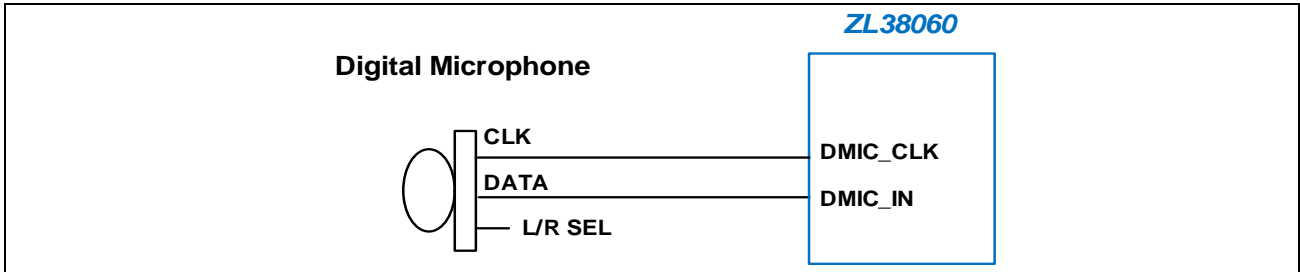
Electret condenser microphones can be used with the digital microphone interface by using a Digital Electret Microphone Pre-Amplifier device as shown in [Figure 5](#). External Codecs can also be used to connect to analog microphones. The external Codecs would interface to the ZL38060 via the TDM buses.

**2.1.1 Digital Microphone Connections**

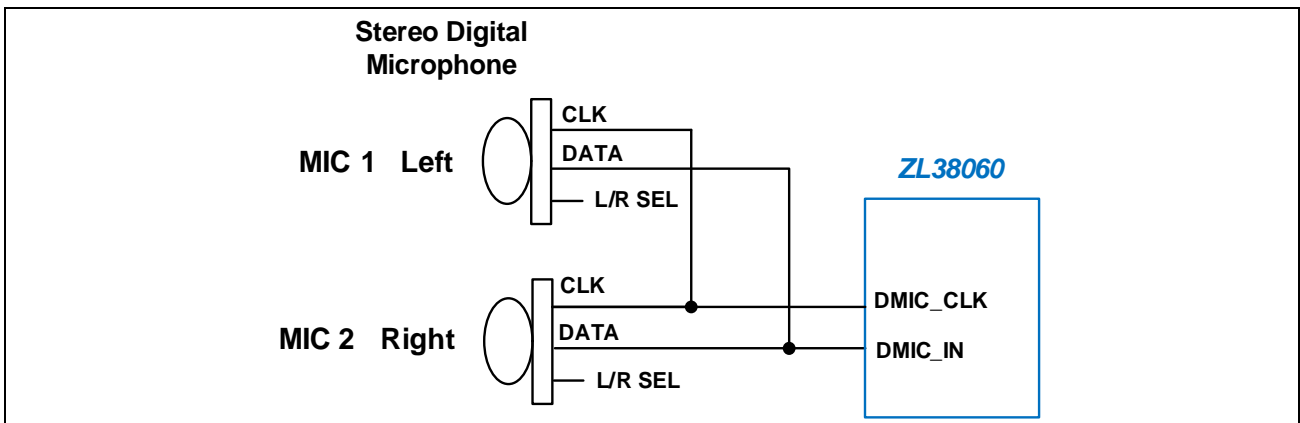
The digital microphone interface uses 2 pins (DMIC\_IN and DMIC\_CLK) to interface with digital microphones.

A stereo digital microphone, or two separate mono digital microphones, send two microphone channels on one pin by sending the data for one channel on the rising edge and one channel on the falling edge. The selection as to which clock edge is used to clock in the microphone data (rising/falling) is done via the Microphone Enable Configuration register (host writable over the HBI) or in the configuration record (loaded from Flash).

Two digital microphone options are presented in [Figures 3 - 4](#).



**Figure 3 - Single Mono Digital Microphone Interface**



**Figure 4 - Dual Microphone or Stereo Digital Microphone Interface**

### 2.1.2 Analog Microphone Use

To use analog electret condenser microphones (ECM) with the digital microphone interface, a Digital Electret Microphone Pre-Amplifier device is required. [Figure 5](#) illustrates a simplified diagram of an analog microphone connection.

The analog microphone is wired to an optional differential amplifier which can provide filtering and gain and converts the microphone signal to single-ended. The microphone signals are then further amplified and digitized through the Digital Electret Microphone Pre-Amplifiers and applied to the ZL38060 digital microphone input. A Microsemi AAP149B ECM Pre-Amplifier is shown.

The ZL38060 provides the clock to activate the Digital Electret Microphone Pre-Amplifier.

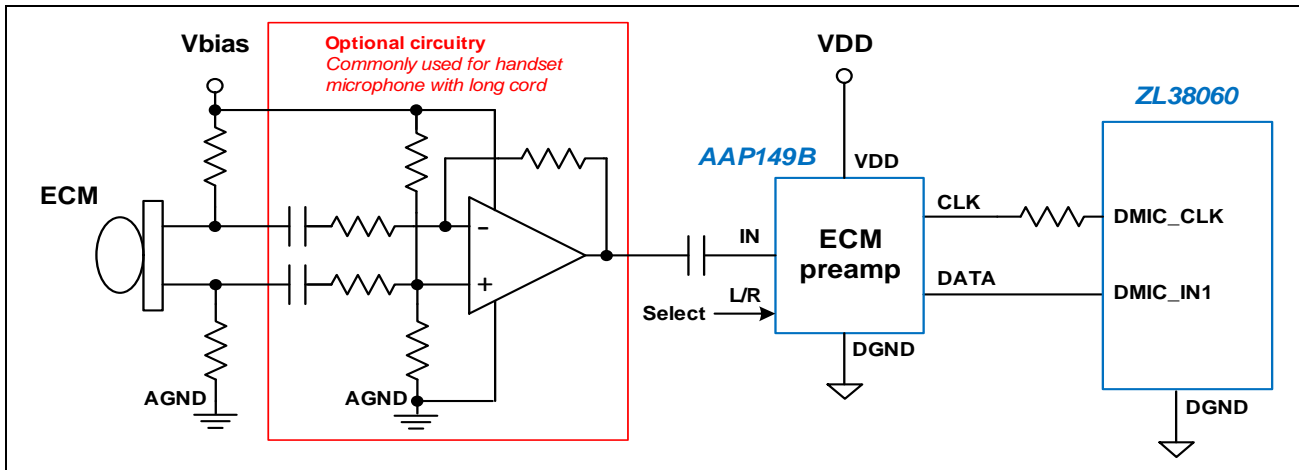


Figure 5 - ECM Circuit

When using an analog microphone, operation in Low-Power mode is not recommended. For more information, see [9.4, "Device Operating Modes" on page 43](#).

### 2.2 DAC Output

The ZL38060 has two 16-bit fully differential delta-sigma digital-to-analog converters. The two output DACs independently drive an analog output subsystem. Each subsystem is able to drive two output pins, representing four independent single-ended headphone outputs that can be driven by two independent data streams. The pins can be independently configured. Four analog gains on each headphone output are provided and can be set to: 1x, 0.5x, 0.333x, or 0.25x.

The headphone amplifiers are self-protecting so that a direct short from the output to ground or a direct short across the terminals does not damage the device.

The ZL38060 provides audible pop suppression which reduces pop noise in the headphone earpiece when the device is powered on/off or when the device channel configurations are changed. This is especially important when driving a headphone single-ended through an external capacitor (see [2.2.1, "Output Driver Configurations", configuration C](#)).

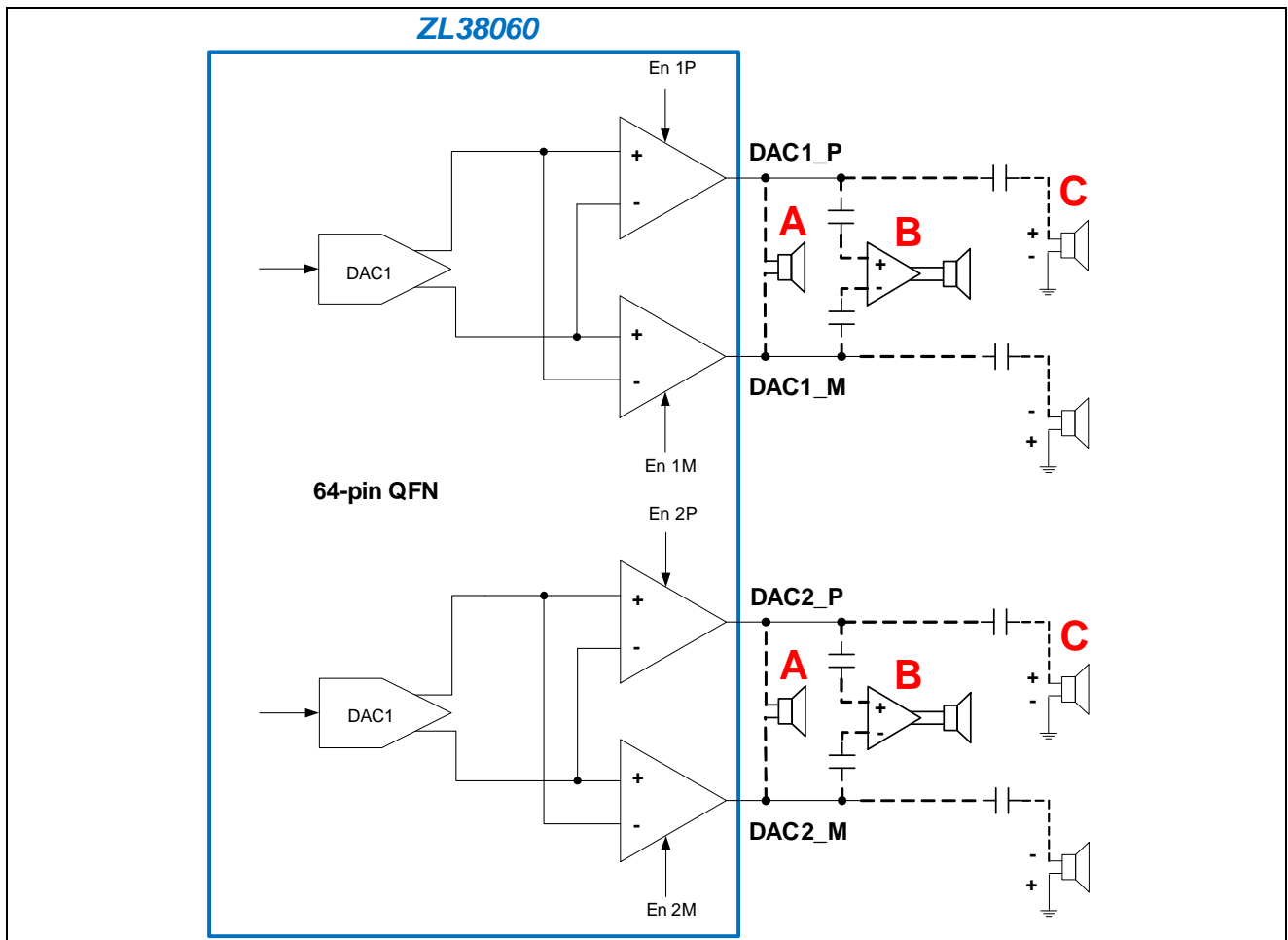
The DACs and headphone amplifiers can be powered down if they are not required for a given application. To fully power down the DACs, disable both the positive and negative outputs.

**2.2.1 Output Driver Configurations**

Figure 6 shows the different possible output driver configurations.

The two output DACs independently drive positive and negative headphone driver amplifiers. The output pins can be independently configured in the following ways:

- A. Direct differential drive of a speaker as low as 32 ohms. For this configuration an analog gain of 1x is commonly used. (Differentially driving a 16 ohm speaker is possible, but only with the same amount of power as in the single-ended case. The signal level must be reduced to not exceed 1/2 scale in this case.)
- B. Direct differential drive of a high impedance power amplifier. A Class D amplifier is recommended for this speaker driver. Use an ON Semiconductor® NCP2820 or equivalent. A 1 μF coupling capacitor is generally used with the Class D amplifier. The analog gain setting depends on the gain of the Class D amplifier, analog gain settings of 0.25x or 0.5x are commonly used.
- C. Driving either a high impedance or a capacitively coupled speaker as low as 16 ohms single-ended. For this configuration an analog gain of 1x is commonly used. The coupling capacitor value can vary from 10 μf to 100 μf depending on the type of earpiece used and the frequency response desired.



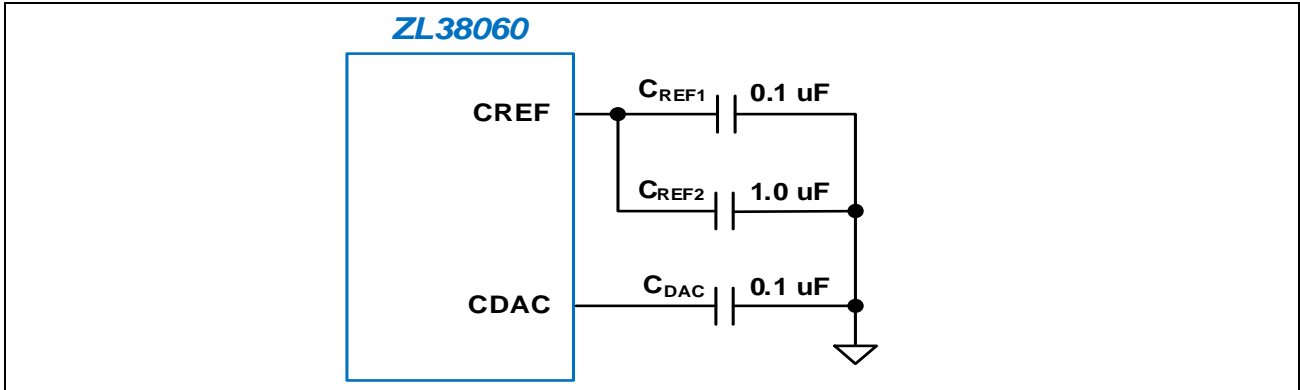
**Figure 6 - Audio Output Configurations**

**2.2.2 DAC and Reference Bias Circuits**

The common mode bias voltage output signal (CREF) for the DAC output buffers must be decoupled through a 0.1  $\mu\text{F}$  ( $C_{\text{REF1}}$ ) and a 1.0  $\mu\text{F}$  ( $C_{\text{REF2}}$ ) ceramic capacitor to VSS.

The positive DAC reference voltage output (CDAC) must be decoupled through a 0.1  $\mu\text{F}$  ( $C_{\text{DAC}}$ ) ceramic capacitor to VSS as shown in [Figure 7](#).

All capacitors can have a 20% tolerance and should have a minimum voltage rating of 6.3 V.



**Figure 7 - ZL38060 Bias Circuit**

### 3.0 Digital Interfaces

#### 3.1 TDM Interface

The ZL38060 device has two generic TDM interfaces, TDM-A and TDM-B. Each interface consists of four signals:

- Data clock (PCLK/I2S\_SCK)
- Data rate sync (FS/I2S\_WS)
- Serial data input (DR/I2S\_SDI)
- Serial data output (DX/I2S\_SDO)

The TDM ports can be configured for Inter-IC Sound (I<sup>2</sup>S) or Pulse-Code Modulation (PCM) operation.

Each TDM block is capable of being a master or a slave. Operation of the TDM interfaces are subject to the following limitations.

**Table 1 - Allowable TDM Configurations**

TDM-A Mode	TDM-B Mode	Supported Sample Rates (kHz)	Requirements / Limitations
Master	Master	8, 16, 48	Both TDM-A and TDM-B must be configured for the same data clock and data sync.
Master	Slave-Synchronous	8, 16, 48	The TDM-B sync rate must be the same as the TDM-A sync rate or 44.1 or 48 kHz.
	Slave-Asynchronous <sup>2</sup>	8, 16, 44.1 <sup>4</sup> , 48	
Slave <sup>1</sup>	Master	8, 16, 48 <sup>1</sup>	
Slave <sup>1</sup>	Slave-Synchronous <sup>3</sup>	8, 16, 48 <sup>1</sup>	
	Slave-Asynchronous <sup>2</sup>	8, 16, 44.1 <sup>1,4</sup> , 48 <sup>1</sup>	

Note 1: When TDM-A is a slave, then the device can be run without a crystal. However, this mode requires that the PCLKA and FSA signals are always present and PCLKA must be an integer multiple of 2.048 MHz. For crystal-less operation at power-on, PCLKA will be auto-detected with only 8 kHz and 16 kHz frame syncs being allowed.

Note 2: When TDM-B is running in 44.1 or 48 kHz Slave-Asynchronous mode, the TDM-B bus is limited to 2-bidirectional audio streams (timeslots).

Note 3: This combination requires that both TDM-A clock and TDM-B clock be physically connected to the same source.

Note 4: Sample rates of 44.1 kHz are only supported on Slave-Asynchronous TDM-B input streams, and the data will be interpolated to 48 kHz.

While a TDM bus configuration may carry many encoded audio streams, the ZL38060 device can only address a maximum of 4 bi-directional audio streams per TDM bus. These four audio streams are referred to as channels #1 through #4, and each of these channels can be independently configured to decode any of the TDM bus's audio streams.

For a given TDM bus, once it is configured for a data sample rate and encoding, all data rates and encoding on that bus will be the same. 16-bit linear data will be sent on consecutive 8-bit timeslots (e.g., if timeslot N is programmed in the timeslot registers, the consecutive timeslot is N+1).

The TDM interface supports bit reversal (LSB first <- -> MSB first) and loopbacks within the TDM interface and from one interface to another (see ["Cross Point Switch" on page 19](#)).

The generic TDM interface supports the following mode and timing options.

### 3.1.1 I<sup>2</sup>S Mode

In I<sup>2</sup>S mode, the 4-wire TDM port conforms to the I<sup>2</sup>S protocol and the port pins become I2S\_SCK, I2S\_WS, I2S\_SDI, and I2S\_SDO (refer to [Table 11](#) for pin definitions). Both TDM buses have I<sup>2</sup>S capability.

An I<sup>2</sup>S bus supports two bi-directional data streams, left and right channel, by using the send and receive data pins utilizing the common clock and word signals. The send data is transmitted on the I2S\_SDO line and the receive data is received on the I2S\_SDI line.

The I<sup>2</sup>S port can be used to connect external analog-to-digital converters or Codecs. The port can operate in master mode where the ZL38060 is the source of the port clocks, or slave mode where the word select and serial clocks are inputs to the ZL38060.

The word select (I2S\_WS) defines the I<sup>2</sup>S data rate and sets the frame period when data is transmitted for the left and right channels. A frame consists of one left and one right audio channel. The I<sup>2</sup>S ports operate as a slave or a master at sample rates as specified in [Table 1](#). Per the I<sup>2</sup>S standard, the word select is output using a 50% duty cycle.

The serial clock (I2S\_SCK) rate sets the number of bits per word select frame period and defines the frequency of I2S\_CLK. I<sup>2</sup>S data is input and output at the serial clock rate. Input data bits are received on I2S\_SDI and output data bits are transmitted on I2S\_SDO. Data bits are always MSB first. The number of clock and data bits per frame can be programmed as 8, 16, 32, 64, 96, 128, 192, 256, 384, 512, or 1024. Any input data bits that are received after the LSB are ignored.

The I<sup>2</sup>S port operates in two frame alignment modes (I<sup>2</sup>S and Left justified) which determine the data start in relation to the word select.

[Figure 8](#) illustrates the I<sup>2</sup>S mode, which is left channel first with I2S\_WS (Left/Right Clock signal) low, followed by the right channel with I2S\_WS high. The MSB of the data is clocked out starting on the second falling edge of I2S\_SCK following the I2S\_WS transition and clocked in starting on the second rising edge of I2S\_SCK following the I2S\_WS transition. [Figure 8](#) shows I<sup>2</sup>S operation with 32 bits per frame.

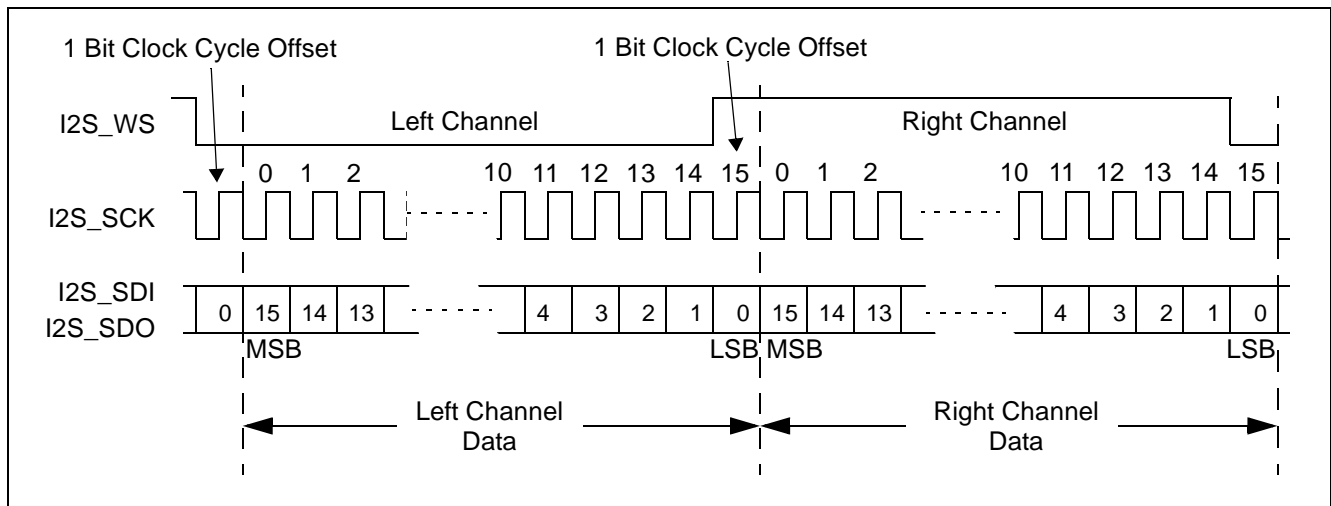


Figure 8 - I<sup>2</sup>S Mode

Figure 9 illustrates the left justified mode, which is left channel first associated with I2S\_WS (Left/Right Clock signal) high, followed by the right channel associated with I2S\_WS low. The MSB of the data is clocked out starting on the falling edge of I2S\_SCK associated with the I2S\_WS transition, and clocked in starting on the first rising edge of I2S\_SCK following the I2S\_WS transition.

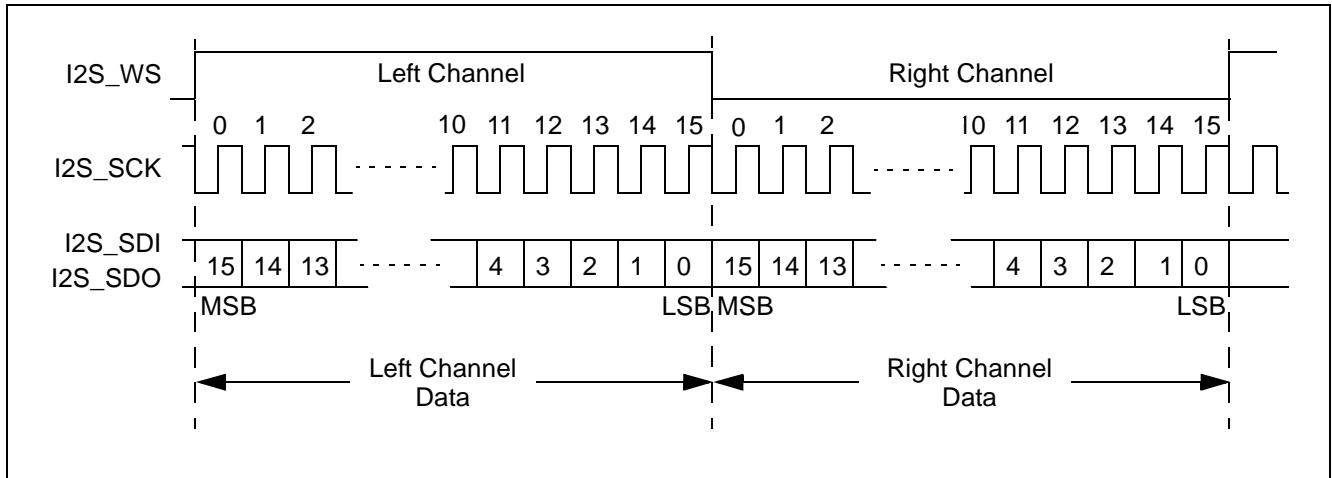


Figure 9 - Left Justified Mode

Each I<sup>2</sup>S interface can support one dual channel Codec (Figure 10) through the Codec's I<sup>2</sup>S interface. The four 16-bit channel processing capacity of the DSP is spread across the two input channels from the ADCs of Codec(0) and Codec(1), and the two output channels to the DACs of Codec(0) and Codec(1).

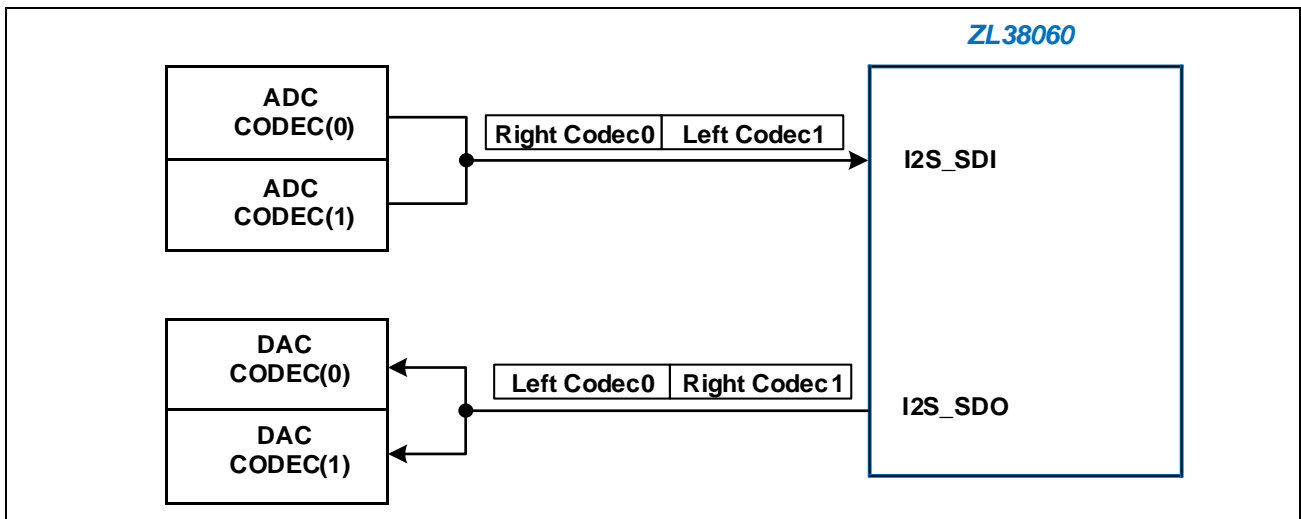


Figure 10 - Dual Codec Configuration

Both I<sup>2</sup>S bus modes can support full bi-directional stereo communication.

The device supports I<sup>2</sup>S loopback.

See the *Microsemi AcuEdge™ Technology ZLS38060 Firmware Manual* for I<sup>2</sup>S port registers.



### 3.1.2 PCM Mode

Each of the PCM channels can be assigned an independent timeslot. The timeslots can be any 8-bit timeslot up to the maximum supported by the PCLK being used.

The PCM ports can be configured for Narrowband G.711 A-law/ $\mu$ -Law or Linear PCM or Wideband G.722 encoding. For a given TDM bus, once it is configured for a data sample rate and encoding, all data rates and encoding on that bus will be the same. 16-bit linear PCM will be sent on consecutive 8-bit timeslots (e.g., if timeslot N is programmed in the timeslot registers, the consecutive timeslot is N+1). The PCM interface can transmit/receive 8-bit compressed or 16-bit linear data with 8 kHz sampling (Narrowband), or 16-bit linear data with 16 kHz sampling (Wideband). Although the firmware allows it, 44.1 and 48 kHz sampling are not commonly used with PCM.

Wideband audio usually means the TDM bus is operating at a 16 kHz FS, but there are two other operating modes that support wideband audio using an 8 kHz FS:

- G.722 supports wideband audio with an 8 kHz FS. This uses a single 8-bit timeslot on the TDM bus.
- “Half-FS Mode” supports wideband audio with an 8 kHz FS signal. In this mode, 16-bit linear audio is received on two timeslot pairs; the first at the specified timeslot (N, N+1) and the second a half-frame later. In total, four 8-bit timeslots are used per frame, timeslots (N, N+1) and ((N + ((bits\_per\_frame)/16)), (N + 1 + ((bits\_per\_frame)/16))). The user programs the first timeslot and the second grouping is generated automatically 125/2  $\mu$ s from the first timeslot.

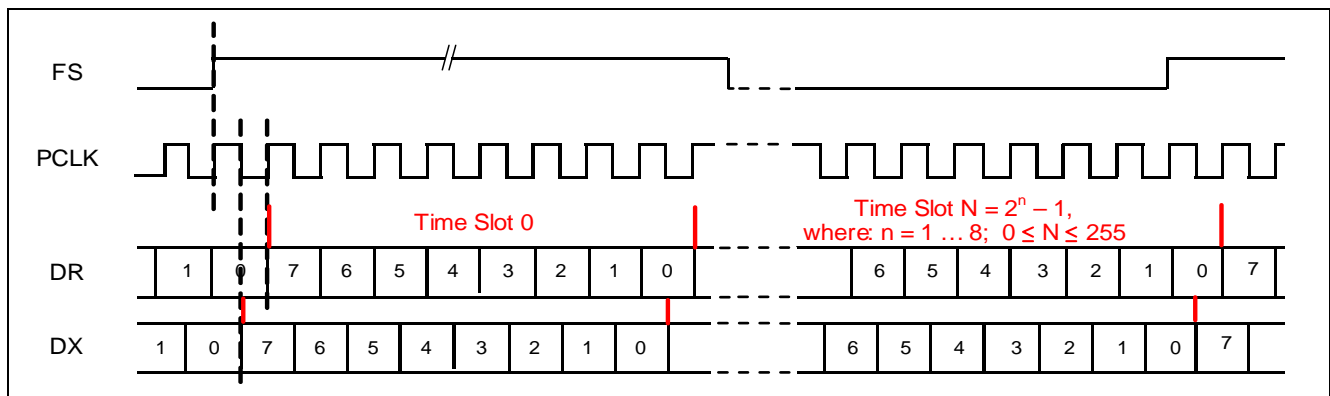
The PCM voice/data bytes can occupy any of the available timeslots, except for PCM clock rates that have extra clocks in the last timeslot. If there is more than one extra clock in the last timeslot, the timeslot data will be corrupted, do not use the last timeslot for these clock frequencies (e.g., 3.088 MHz etc.).

The PCM block can be configured as a master or a slave and is compatible with the Texas Instruments Inc. McBSP mode timing format.

[Figure 11](#) and [Figure 12](#) illustrate the PCM format with slave timing, FS and PCLK are provided by the host. Slave mode accommodates frame sync pulses with various widths (see [“GCI and PCM Timing Parameters” on page 51](#)).

[Figure 13](#) and [Figure 14](#) illustrate the PCM format with master timing, FS and PCLK are provided by the ZL38060. Master mode outputs a frame sync pulse equal to one PCLK cycle.

Diagrams for PCM transmit on negative edge (xeDX = 0) and PCM transmit on positive edge (xeDX = 1) are shown for both slave and master timing.



**Figure 11 - TDM – PCM Slave Functional Timing Diagram (8-bit, xeDX = 0)**

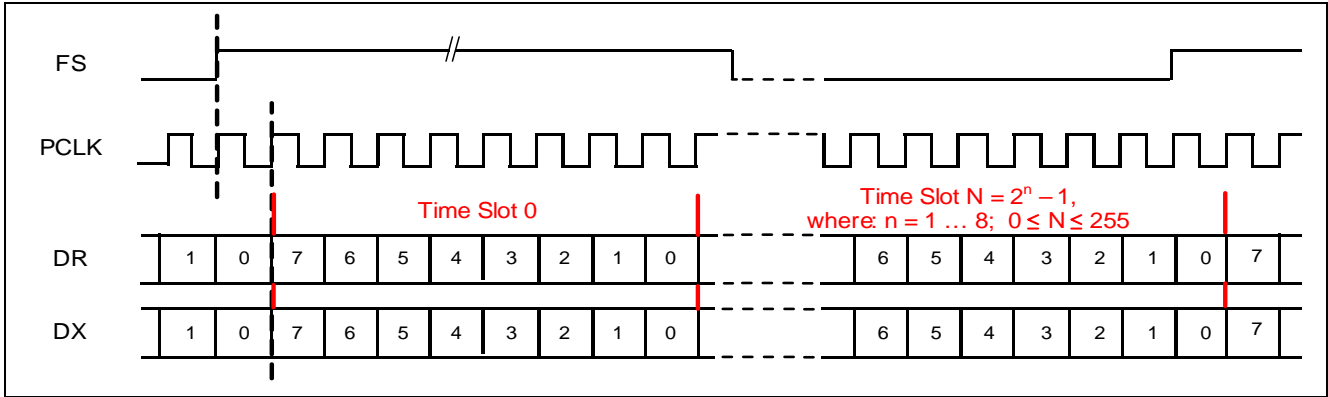


Figure 12 - TDM – PCM Slave Functional Timing Diagram (8-bit, xeDX = 1)

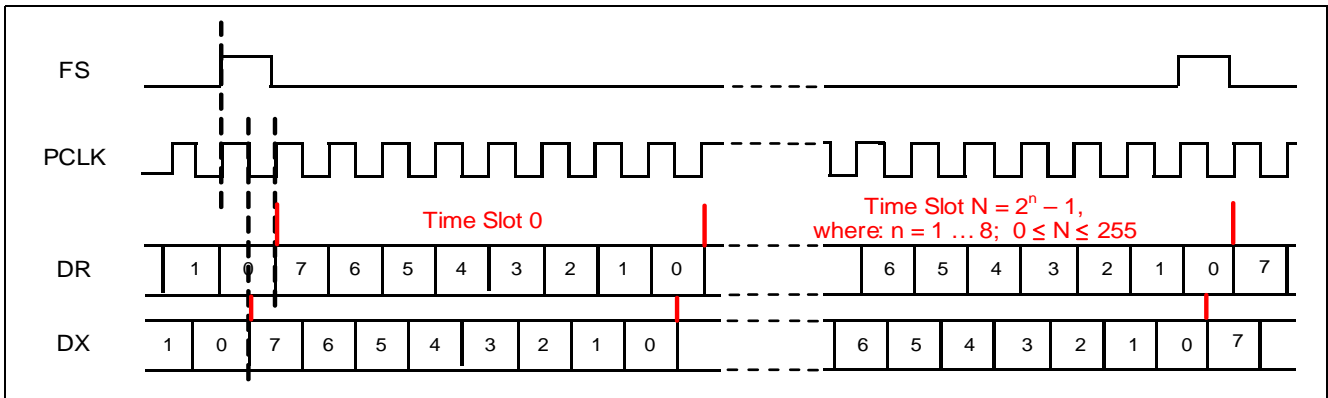


Figure 13 - TDM – PCM Master Functional Timing Diagram (8-bit, xeDX = 0)

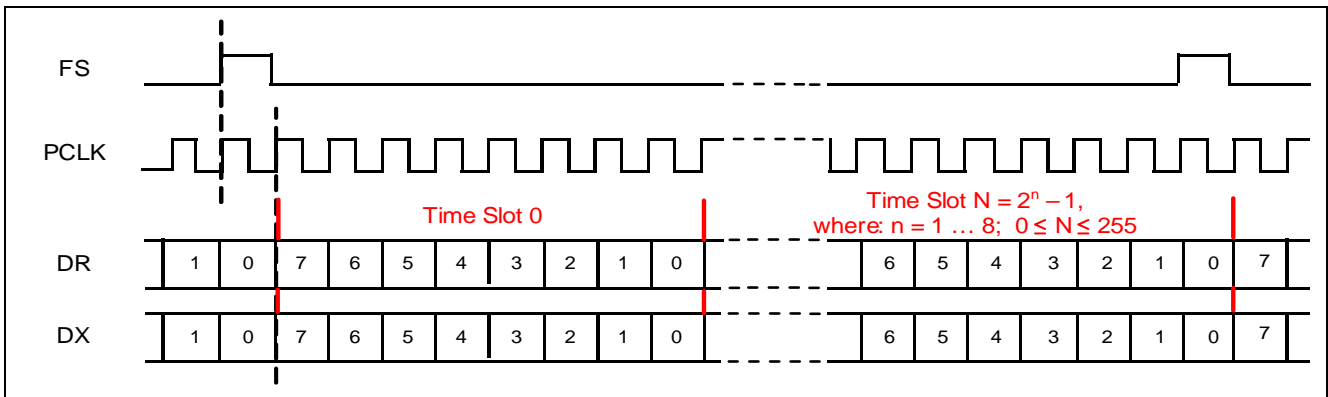


Figure 14 - TDM – PCM Master Functional Timing Diagram (8-bit, xeDX = 1)

### 3.1.3 GCI Mode

The GCI voice/data bytes can occupy any of the available timeslots. The GCI block can be configured as a master or a slave and supports a clock that has the same frequency as the data rate.

Note: Traditional GCI Monitor, Signalling, and Control channel bytes and double data rate are not supported.

Figure 15 illustrates the GCI format with slave timing, FS and PCLK are provided by the host. Slave mode accommodates frame sync pulses with various widths (see “GCI and PCM Timing Parameters” on page 51).

Figure 16 illustrates the GCI format with master timing, FS and PCLK are provided by the ZL38060. Master mode outputs a frame sync pulse equal to one PCLK cycle.

For both, first data bits are aligned with the rising edge of the frame sync pulse.

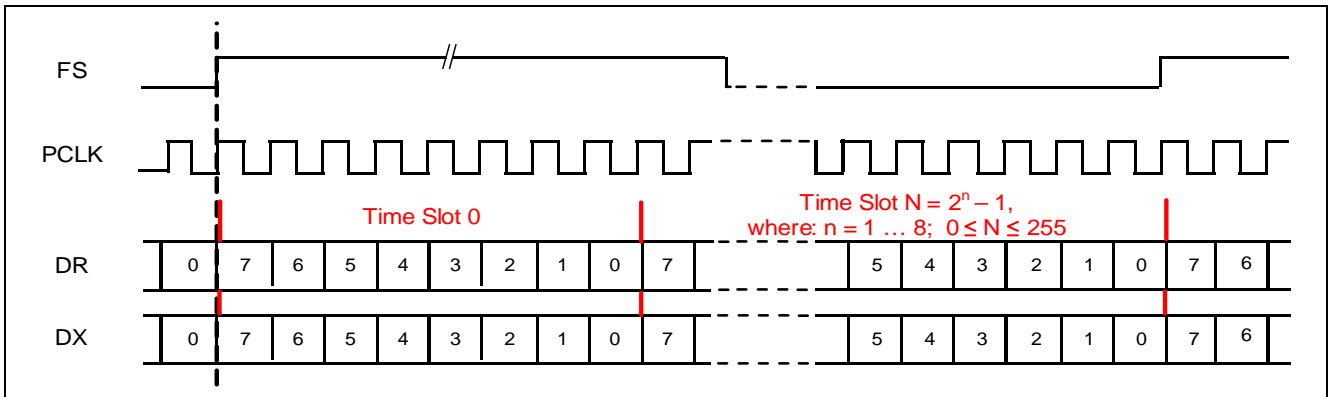


Figure 15 - TDM – GCI Slave Functional Timing Diagram

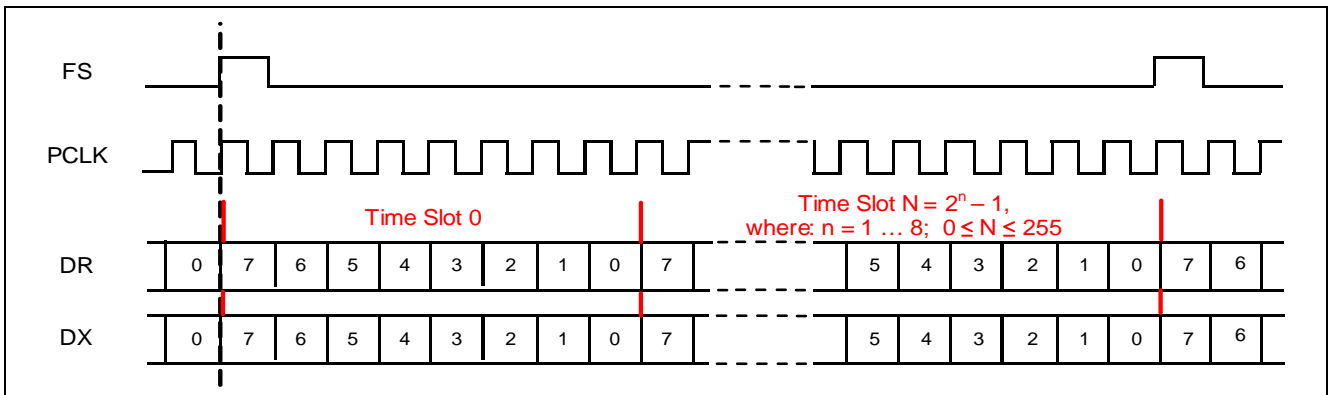


Figure 16 - TDM – GCI Master Functional Timing Diagram

### 3.2 Cross Point Switch

The ZL38060 contains a Cross Point Switch that allows any input port to be routed to any output port as well as routing the input/outputs to/from the audio processor functions. Refer to the *Microsemi AcuEdge™ Technology ZLS38060 Firmware Manual* for Cross Point Switch operation and control.

### 3.3 Host Bus Interface

The host bus interface (HBI) is the main communication port from a host processor to the ZL38060. It can be configured to be either a SPI Slave or an I<sup>2</sup>C Slave port, either of which can be used to program or query the device.

The ZL38060 allows for automatic configuration between SPI and I<sup>2</sup>C operation. For the HBI port, if the HCLK toggles for two cycles, the HBI will default to the SPI Slave, otherwise it will remain configured as I<sup>2</sup>C (see [Table 2](#)). The HBI comes up listening in both SPI and I<sup>2</sup>C modes, but with I<sup>2</sup>C inputs selected. If HCLK is present, it switches the data selection before the first byte is complete so that no bits are lost. Once the port is determined to be SPI, a hardware reset is needed to change back to I<sup>2</sup>C.

This port can read and write all of the memory and registers on the ZL38060. The port can also be used to boot the device, refer to [“Device Booting” on page 33](#).

**Table 2 - HBI Slave Interface Selection**

Description	Condition	Operating Mode	Notes
HBI Slave interface selection.	HCLK toggling	Host SPI bus	1
	HDIN tied to VSS	Host I <sup>2</sup> C bus. Slave address 45h (7-bit).	
	HDIN tied to DVDD33	Host I <sup>2</sup> C bus. Slave address 52h (7-bit).	

Note 1: By default, the HBI comes up as an I<sup>2</sup>C interface. Toggling the HCLK pin will cause the host interface to switch to a SPI interface. If an I<sup>2</sup>C interface is desired, HCLK needs to be tied to ground.

#### 3.3.1 SPI Slave

The physical layer is a 4-wire SPI interface. Chip select and clock are both inputs.

The SPI Slave port can support byte, word, or command framing. Write and read diagrams for these framing modes are shown in [Figure 17](#) – [Figure 22](#). The SPI Slave chip select polarity, clock polarity, and sampling phase are fixed.

The ZL38060 command protocol is half duplex, allowing the serial in and serial out to be shorted together for a 3-wire connection. The chip select is active low. The data is output on the falling edge of the clock and sampled on the rising edge of the clock.

The SPI Slave supports access rates up to 25 MHz.

The outbound interrupt is always active low.

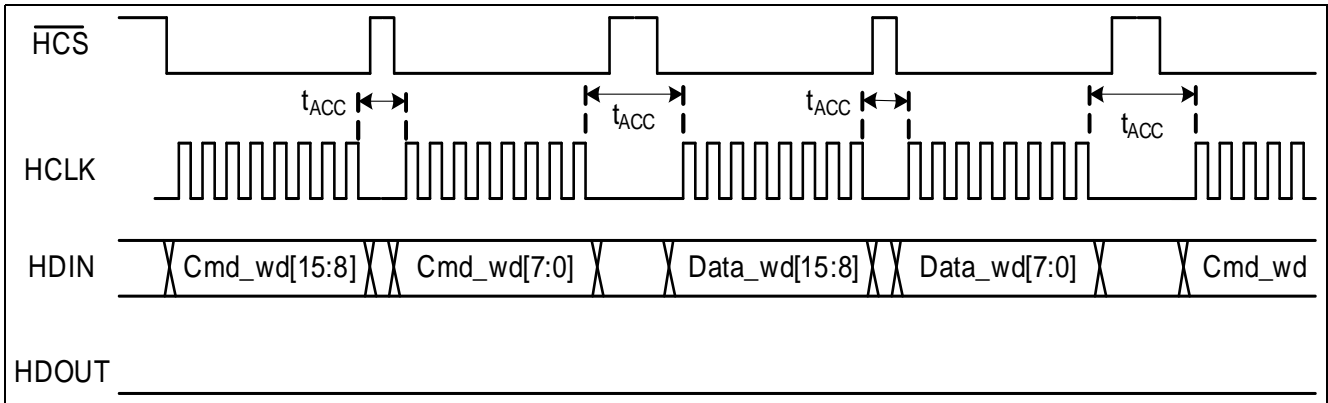


Figure 17 - SPI Slave Byte Framing Mode – Write

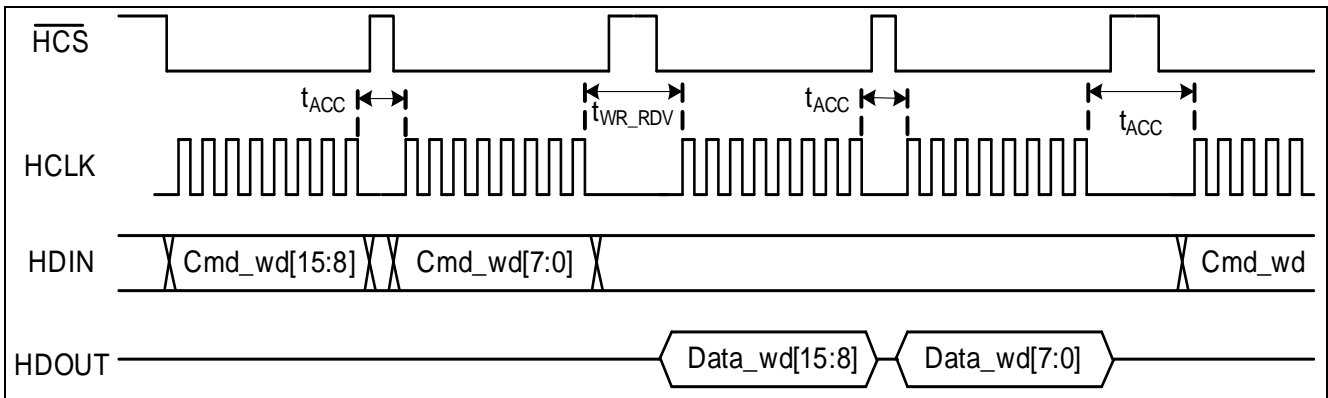


Figure 18 - SPI Slave Byte Framing Mode – Read

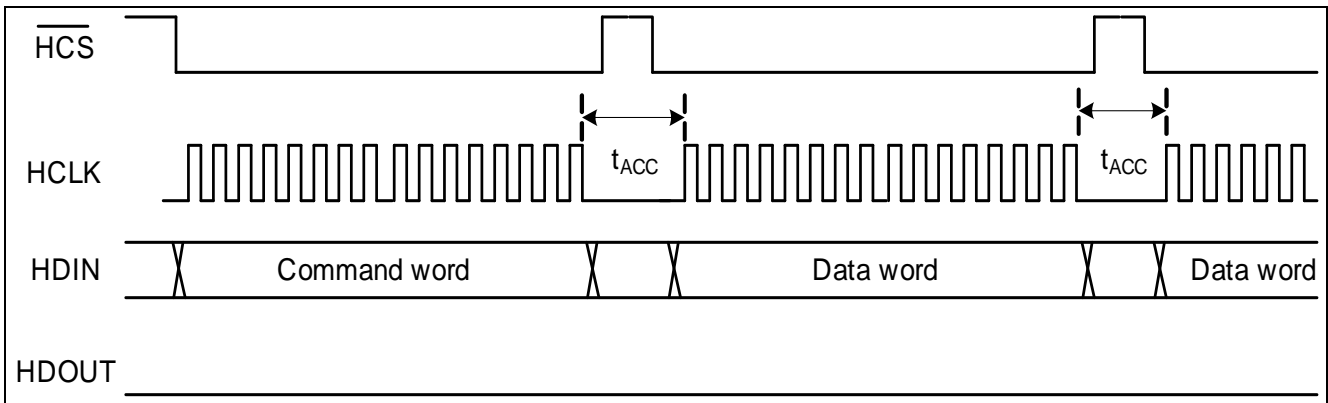
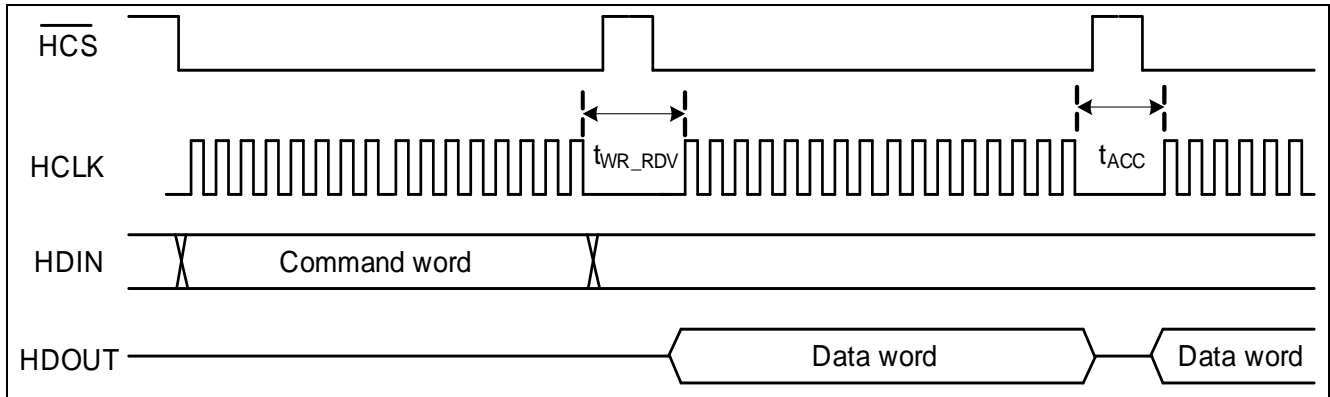
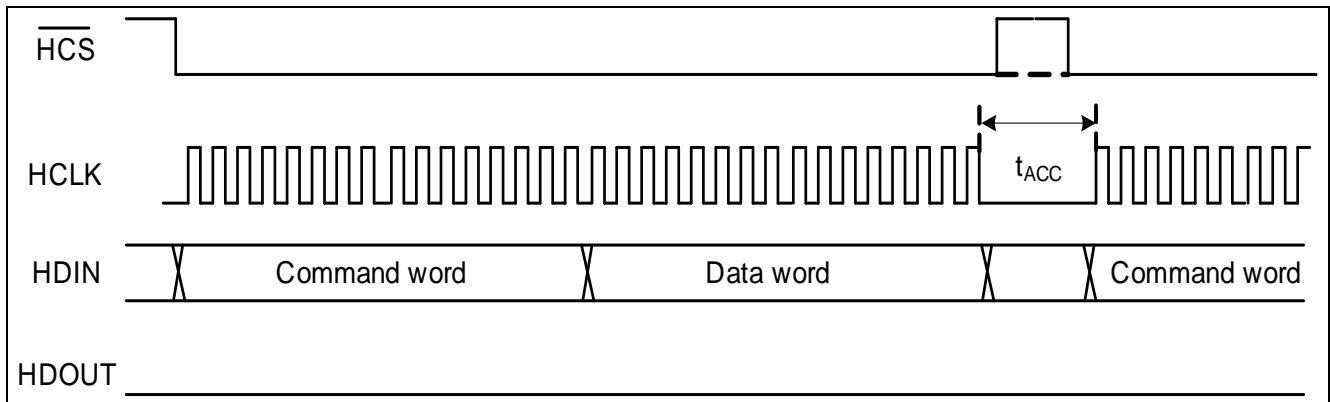


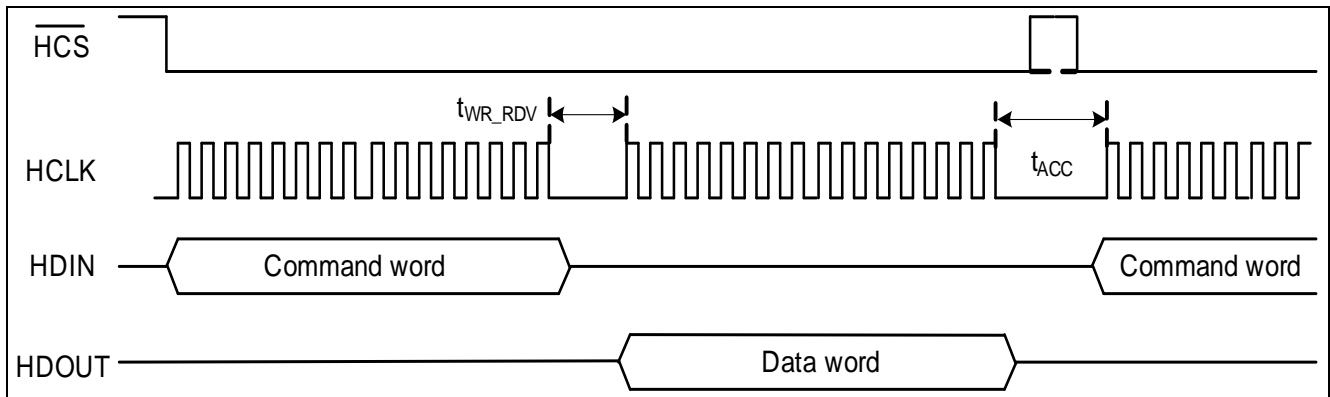
Figure 19 - SPI Slave Word Framing Mode – Write, Multiple Data Words



**Figure 20 - SPI Slave Word Framing Mode – Read, Multiple Data Words**



**Figure 21 - SPI Slave Command Framing Mode – Write**



**Figure 22 - SPI Slave Command Framing Mode – Read**

### 3.3.2 I<sup>2</sup>C Slave

The I<sup>2</sup>C bus is similar to the Philips Semiconductor (NXP) 1998 Version 2.0, I<sup>2</sup>C standard. The ZL38060 I<sup>2</sup>C bus supports 7-bit addressing and transfer rates up to 400 kHz. External pull-up resistors are required on the I<sup>2</sup>C serial clock input (HCS) and the I<sup>2</sup>C serial data input/output (HDOUT) when operating in this mode (note, the I<sup>2</sup>C slave pins are 3.3 V pins and are not 5 V tolerant).

The selection of the I<sup>2</sup>C slave address is performed at bootup by the strapping of the HDIN and HCLK pins, see [Table 2](#).

### 3.3.3 UART

The ZL38060 device incorporates a two-wire UART (Universal Asynchronous Receiver Transmitter) interface with a fixed 115.2K baud transfer rate, 8 data bits, 1 stop and no parity. TX and RX pins allow bi-directional communication with a host. The UART pins must be made accessible on the PCB for debug and tuning purposes.

The UART port can be used as a debug tool and is used for tuning purposes.

### 3.3.4 Host Interrupt Pin

An internal host interrupt controller controls the active low interrupt pin which is part of the host bus interface. Associated with the interrupt controller is an event queue which reports status information about which event caused the interrupts.

Upon sensing the interrupt, the host can read the event queue to determine which event caused the interrupt. Specific events are enabled by the host processor, and are typically not used with a standalone (controllerless) design.

Refer to Events in the *Microsemi AcuEdge™ Technology ZLS38060 Firmware Manual* for Event ID Enumerations.

## 3.4 Master SPI

Like the HBI SPI Slave, the physical layer of the Master SPI is a 4-wire SPI interface supporting half duplex communication. It supports only one chip select which is multiplexed with GPIO\_9.

The Master SPI is only accessible through boot ROM commands and is only used as the boot loading mechanism for an external serial Flash. The ZL38060 can automatically read the Flash data (program code and configuration record) through this interface upon the release of reset (Auto Boot), depending on the value of the bootstrap options.

*Note: An alternative to Auto Boot is to perform a Host Boot through the HBI port. Refer to [6.0, "Device Booting" on page 33](#).*

### 3.4.1 Flash Interface

After power-up the ZL38060 will run its resident boot code, which establishes the initial setup of the Master SPI port and then downloads the firmware from external Flash memory. This Flash firmware establishes the resident application and sets the modes of all the ZL38060 ports.

[Figure 23](#) illustrates the connection of Flash memory to the ZL38060 Master SPI port. A 2 Mbit Flash size is all that is required to store the program code and the configuration record of the ZL38060 device. [Figure 23](#) and the ZLE38060 demonstration hardware uses the Macronix™ MX25L4006E 4 Mbit CMOS Serial Flash device.

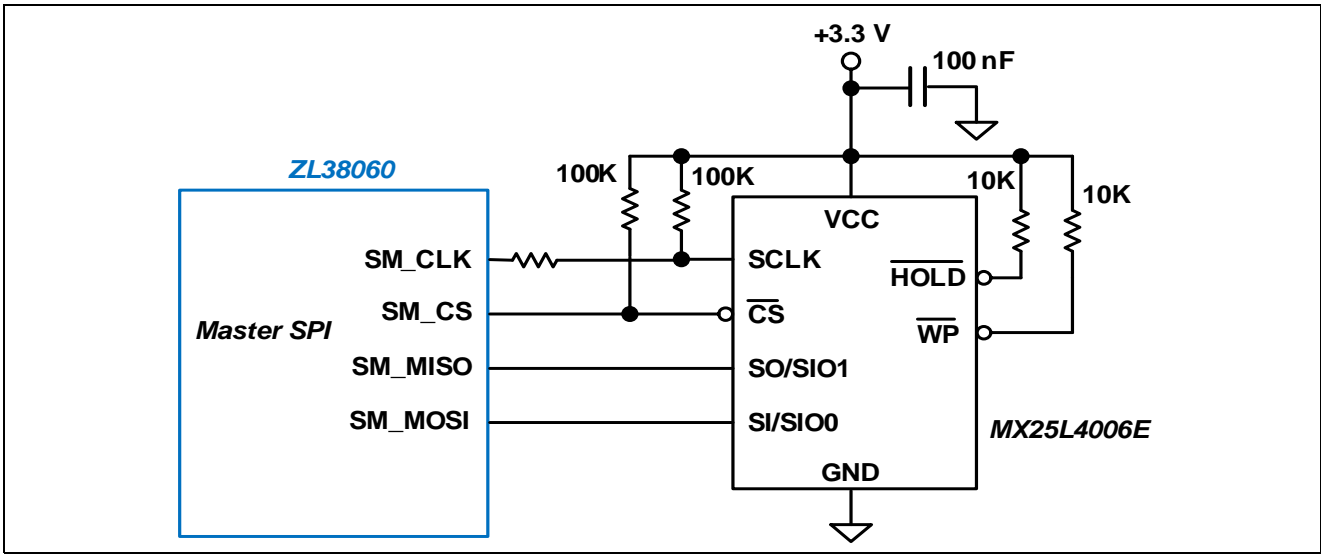


Figure 23 - Flash Interface Circuit



### 3.4.1.1 Flash Selection

The ZL38060 Boot ROM is designed to work with a wide variety of Flash devices. There are numerous Flash devices that the ZL38060 Boot ROM can recognize and program without host intervention other than a command to initialize the Flash. Other unrecognized devices may be utilized if they conform to certain characteristics of known devices and the host informs the ZL38060 Boot ROM of their type and size.

The ZL38060 identifies Flash devices (with a single binary image) with the ZL38060 boot ROM auto sensing the Flash type. The ZL38060 complies with JEDEC *Manufacturer and Device ID Read Methodology for SPI Compatible Serial Interface Memory Devices*. The ZL38060 is compatible with the *Serial Flash Discoverable Parameters* JEDEC standard JESD216B and the *Common Flash Interface* JESD68.01 JEDEC standard. The ZL38060 can identify devices by their JEDEC standard JEP106-K *Standard Manufacturer's Identification Code*.

A list of Flash devices that are identifiable by the ZL38060 Boot ROM are show in [Table 3](#). The size of these devices are all 2 Mbit or 4 Mbit, the Boot ROM will also recognize the size of 8 Mbit parts that are Type 1 or Type 2 devices (as defined in [Table 4](#)).

**Table 3 - Flash Devices Tested with the ZL38060**

Manufacturer	Part Number	Description
Macronix™	MX25V4006EM1I-13G	4 Mbit Flash.
Winbond™	W25X40CLSNIG-ND	4 Mbit Flash.
	W25X20CLSNIG-ND	2 Mbit Flash.
Micron®	M25P20-VMN6PB	2 Mbit Flash. Large 512 Kbit sectors limit the usefulness of this device. Holds only 1 application image.
	M25P40-VMN6PB	4 Mbit Flash. Large 512 Kbit sectors limit the usefulness of this device. Holds only 2 or 3 application images.
Microchip™	SST25VF020B-80-4I	2 Mbit Flash.
Atmel®	AT25DF041A	4 Mbit Flash. Must be used in its 256 byte page variant. The default configuration is a 264 byte page. It can be ordered or programmed to use a 256 byte page.
	AT45DB041D	
Spansion™	S25FL204K0TMF1010	4 Mbit Flash.
AMIC Technology	A25L020O-F	2 Mbit Flash.

Flash devices whose JEDEC ID or size (usually a size of 16 Mbit or larger) that are not recognized by the ZL38060 Boot ROM can be made to work if they fit the characteristics of one of the 4 Flash types listed in [Table 4](#). By writing the type (1, 2, 3, or 4) to ZL38060 address 0x118 and the number of sectors to ZL38060 address 0x116 prior to initializing the Flash device, the Boot ROM will treat it as a known device of known size even though the manufacturer ID or size field are not recognized.

**Table 4 - Supported Flash Types**

Characteristic	Type 1	Type 2	Type 3	Type 4
<b>Sector Size</b>	512 Kbit (64 KB)	32 Kbit (4 KB)	32 Kbit (4 KB)	16 Kbit (2 KB)
<b>Read Status Reg Cmd</b>	0x05	0x05	0x05	0xD7
<b>Status Reg</b>	Busy bit = 0x01	Busy bit = 0x01	Busy bit = 0x01	Done bit = 0x80
<b>Data Read Cmd</b>	0x03	0x03	0x03	0x03
<b>Write Enable Cmd</b>	0x06	0x06	0x06	N/A
<b>Page Write Cmd</b>	0x02	0x02	N/A Uses AAI to program word or byte. Uses Write Disable command to terminate AAI.	N/A Uses write from buffer command.
<b>4-Byte Bulk Erase Cmd</b>	N/A	N/A	N/A	0xC794809A
<b>Examples</b>	<b>Micron®</b> M25P20-VMN6PB M25P40-VMN6PB	<b>Winbond™</b> W25X40CLSNIG-ND W25X20CLSNIG-ND <b>Macronix™</b> MX25V4006EM1I-13G <b>AMIC Technology</b> A25L020O-F <b>Spansion™</b> S25FL204K0TMF1010 <b>Atmel®</b> AT25DF041A	<b>Microchip™</b> SST25VF020B-80-4I	<b>Atmel®</b> AT45DB021D AT45DB041D

### 3.5 GPIO

The ZL38060 has 14 GPIO (General Purpose Input/Output) pins that can be individually configured as either inputs or outputs, and have associated maskable interrupts reported to the host processor through the interrupt controller and event queue. The GPIO pins are intended for low frequency signalling.

When a GPIO pin is defined as an input, the state of that pin is sampled and latched into the GPIO Read Register. A transition on a GPIO input can cause an interrupt and event to be passed to the host processor.

Certain GPIO pins have special predefined functions, such as volume up/down, associated with that pin. Individual GPIO pins may also be defined as status outputs with associated enable/disable control. See Fixed Function I/O in the *Microsemi AcuEdge™ Technology ZLS38060 Firmware Manual*.

Immediately after any power-on or hardware reset the GPIO pins are defined as inputs and their state is captured in the GPIO Configuration Register. The state of this register is used to determine which options are selected for the device. The GPIO pin status is then redefined as specified in the configuration record upon a load from the Flash or host.

In addition to the predefined fixed functions and the general functionality of the GPIO pins, the GPIO pins also support the keypad, chip select, and bootstrap functions listed in [Table 5](#). Bootstrap functions are further detailed in [Table 7](#).

**Table 5 - GPIO Pin Muxing**

Pin Name	Additional Functionality	Type	Reset	Description	Notes
GPIO_[13:10]	Keypad	I/O	Pull-down	GPIO / row or column	
GPIO_9	Keypad, or Master SPI CS	I/O	Pull-down	GPIO / row or column, or Master SPI chip select	
GPIO_[8:3]	Keypad	I/O	Pull-down	GPIO / row or column	
GPIO_[2:0]	Keypad Bootstrap	I/O	Pull-down	GPIO / row or column Master bootstrap	1

#### 3.5.1 Keypad Scanner

A keypad scanner is also multiplexed with the GPIO pins. Pressing a key generates a debounced interrupt and an event reported to the host. The event queue may then be read by the host to determine which key had been pressed. The keypad event is masked at power on, and may be enabled by the host when keypad events are desired. The ZL38060 has user programmable debounce time and repetition rate. The host will be supplied the key code and time stamp of the press or release via the event queue to assure that the event is not lost.

GPIO pins when configured as outputs drive keypad rows; columns are sensed as inputs by GPIO pins configured as inputs. Electrically, the keypad scanner will treat any impedance across the row and column lines greater than 150 K $\Omega$  as an open and any impedance below 2 K $\Omega$  as a key press.

The keypad scanner can also detect “press and hold” actions where a user presses a key for a prolonged period of time exceeding a programmable threshold.

Multiple simultaneous key presses or key rollovers are not recognized and do not generate interrupts to the host.

GPIO selection for keypad scanning is configured in the Keyscan Column and Row Configuration registers. Refer to the *Microsemi AcuEdge™ Technology ZLS38060 Firmware Manual*.

### 3.5.1.1 Keypad Interface

The GPIO on the ZL38060 can be configured to support up to a 7x7 keypad array, a 7x7 array requires the use of all 14 GPIO pins.

Figure 24 illustrates a typical keypad implementation where the GPIO is configured for a 3x4 array. The optional bootstrap resistors do not affect keypad operation as long as they are chosen in compliance with Table 7.

If the total capacitance of the key plus the PCB trace is less than 300 pF, no external conditioning is required on the rows or columns for key detection. The GPIO have internal pull-down resistors, so external pull-down resistors are not required and should not be used. This does not apply to any bootstrap resistors used on GPIO\_0-2. The bootstrap resistors are allowed and because they are of a known value, the keypad scanner will detect key opens and key presses whether they are pulled-up or pulled-down.

If the key capacitance plus PCB trace capacitance on a column node exceeds 300 pF, use a pull-up resistor on each column that exceeds 300 pF. The resistance of the pull-up can be derived from the following formula:

$$R_{\text{Pull-up}} = 0.0000125 / C_{\text{Column}}$$

Where  $C_{\text{Column}}$  = the total capacitance of the keys plus the PCB trace.

For example, if the total capacitance is equal to 400 pF, a common value for the pull-up resistor would be 31.6 KΩ.

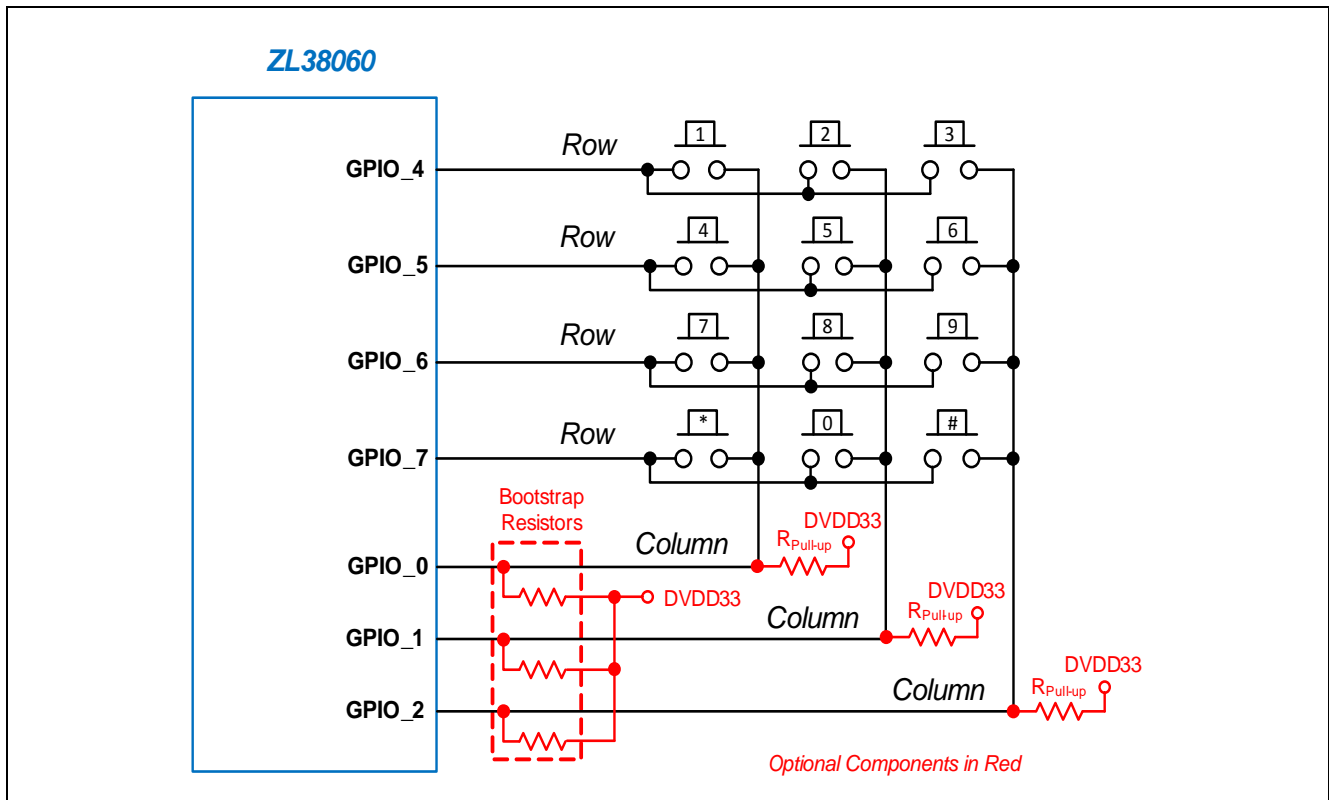


Figure 24 - A 3x4 Keypad Array Implementation

## 4.0 Reset

The device has a hardware reset pin ( $\overline{\text{RESET}}$ ) that places the entire device into a known low power state. The device will perform either a digital or an analog reset depending on the duration of the reset pulse.

- Digital reset – When the reset pin is brought low for a duration of between 100 ns and 1  $\mu\text{s}$ , a digital reset occurs and all device states and registers are reset by this pin.
- Analog reset – When the reset pin is brought low for a duration greater than 10  $\mu\text{s}$ , both a digital and an analog reset will occur. The analog reset will deactivate the internally generated +1.2 V by shutting off the external FET and the internal PLL. Raising the reset pin high will immediately turn back on these supplies (requiring a corresponding PLL startup time,  $\sim 3$  ms).

For both digital and analog reset cases when reset is released, the device will go through its boot process and the firmware will be reloaded. If the reset had been an analog reset, then the boot process will take longer waiting for the system clocks to power back on.

GPIO sensing will occur with either type of reset.

A 10 K $\Omega$  pull-up resistor is required on the  $\overline{\text{RESET}}$  pin to DVDD33 if this pin is not continuously driven.

## 5.0 Power Supply

### 5.1 Power Supply Sequencing/Power up

No special power supply sequencing is required. The +3.3 V or +1.2 V power rails can be applied in either order.

Upon power-up, the ZL38060 begins to boot and senses the external resistors on the GPIO to determine the bootstrap settings. After 3 ms, the boot process begins and the ZL38060 takes less than 1 second to become fully operational (for Auto Boot from Flash, including the time it takes to load the firmware).

In order to properly boot, the clocks to the device must be stable. This requires either the 12.000 MHz crystal or oscillator to be active, or the PCLK and frame sync of TDM-A be present and stable before the ZL38060's reset is released.

#### 5.1.1 Power Supply Considerations

The ZL38060 requires +1.2 V to power its core DSP power supply (DVDD12). To achieve optimum noise and power performance, supply DVDD12 from an external source. Use an LDO regulator like the Microsemi LX8213 to achieve low noise and low overall power consumption. The ZL38060 is designed to minimize power in its active states when DVDD12 is supplied externally.

To further reduce power when using a crystal or clock oscillator, the internal PLL can be shut-down as described in [5.1.1.3, "Ultra-Low Power Mode"](#).

### 5.1.1.1 External +1.2 V Power

Figure 25 shows DVDD12 powered from an external supply. A Microsemi LX8213 300 mA Low Noise CMOS LDO Regulator is shown.

External supply use is selected when the EXT\_SEL pin is tied to +3.3 V. The EXT\_SEL pin can be pulled high or simply hard-wired to DVDD33.

VDD12\_CTRL is a CMOS output which can be used to control the shutdown of the external supply. VDD12\_CTRL will provide a steady +3.3 V output (with up to 4 mA of source current) for the external supply to be enabled and 0 V for the supply to be disabled.

For power savings when the ZL38060 does not need to be operational, the external voltage regulator can be turned off by pulling the  $\overline{\text{RESET}}$  pin low for longer than 10  $\mu\text{s}$  (Reset mode). This action will force the VDD12\_CTRL pin low, shutting off the external LDO and allowing the +1.2 V supply to collapse to 0 V.

If shutdown of the external +1.2 V supply is not desired, simply leave the VDD12\_CTRL output pin floating.

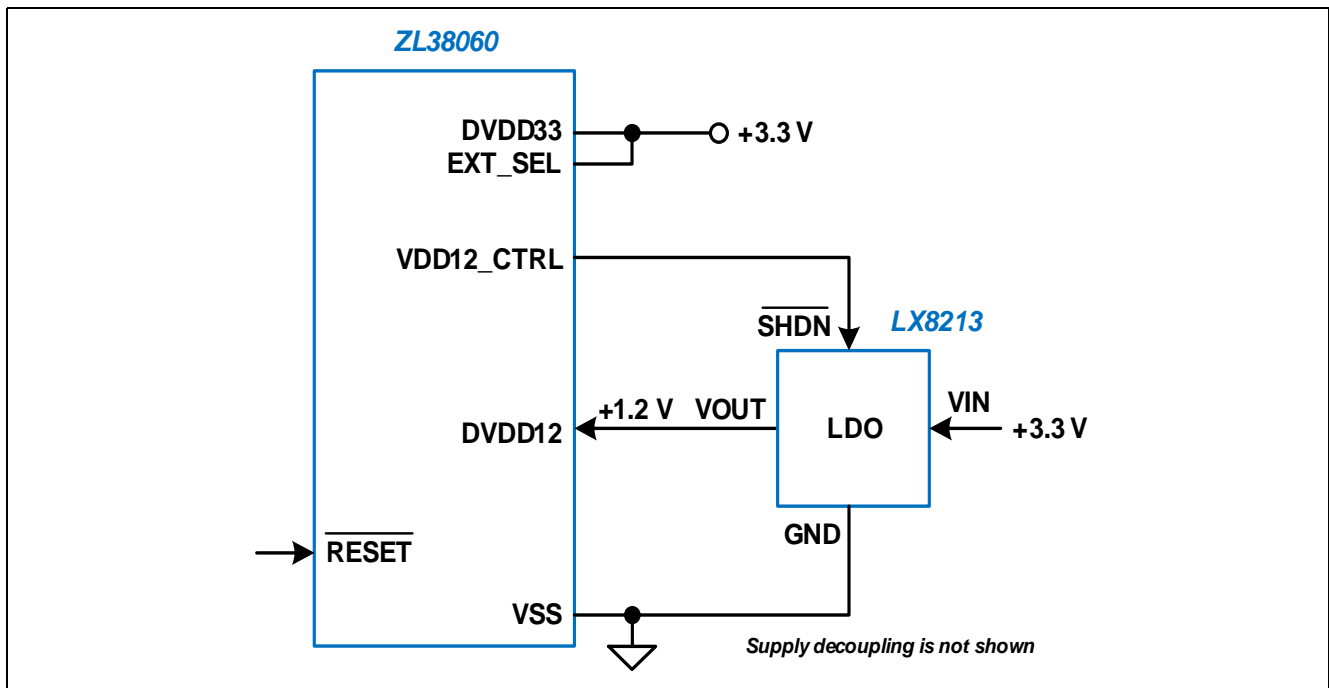


Figure 25 - External +1.2 V Power Supply Configuration

5.1.1.2 Internal +1.2 V Power

Alternatively, the ZL38060 has a built-in voltage regulator that can be used as the DVDD12 source. The internal voltage regulator requires an external N-channel FET device and a parallel 470 ohm resistor. Figure 26 shows DVDD12 powered from the internal supply. Power dissipation is higher with internal regulator use due to the internal control circuitry and functional blocks being active.

Internal supply use is selected when the EXT\_SEL pin is tied to VSS. With the built-in voltage regulator enabled, VDD12\_CTRL will drive Q1 and generate +1.2 V at DVDD12. The parallel 470 ohm resistor is required to ensure supply start-up. Q1 can be any of the high power FETs shown in Table 6, or an equivalent.

For power savings when the ZL38060 does not need to be operational, the internal voltage regulator can be turned off by pulling the RESET pin low for longer than 10 μS (Reset mode). This action will force the VDD12\_CTRL pin low, shutting off the FET and allowing the +1.2 V supply to collapse to 0 V.

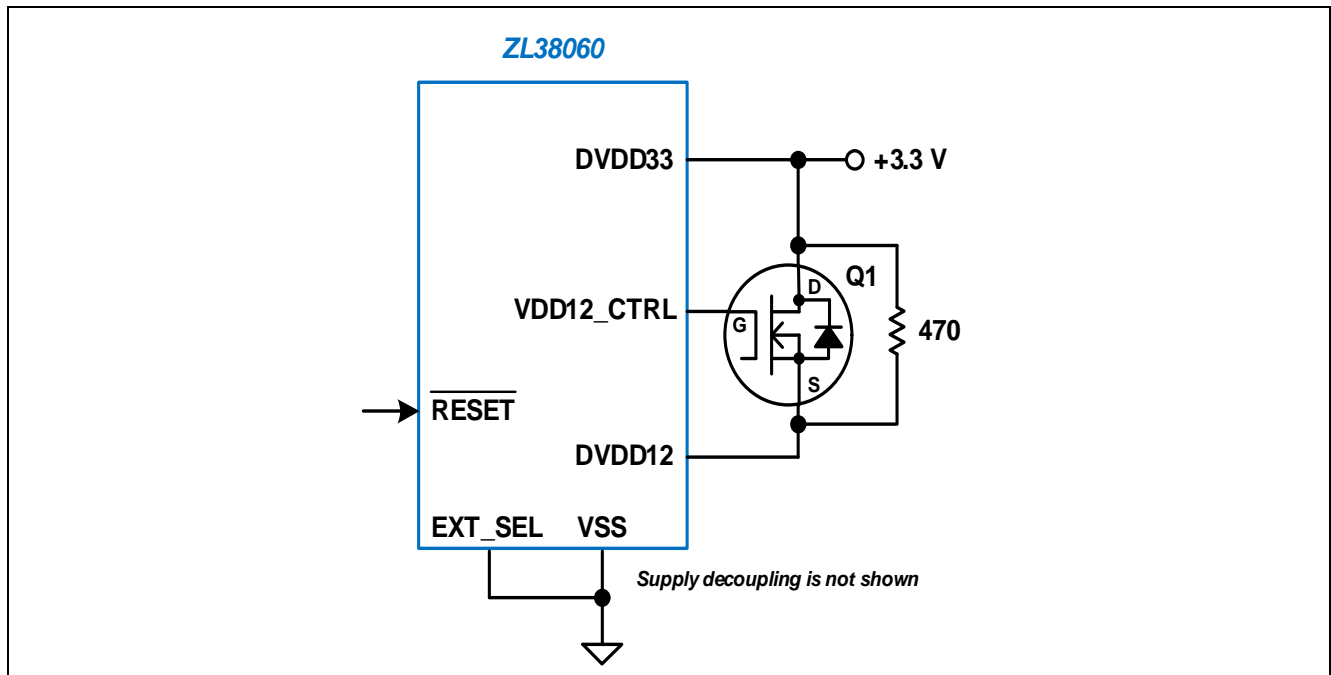


Figure 26 - Internal +1.2 V Power Supply Configuration

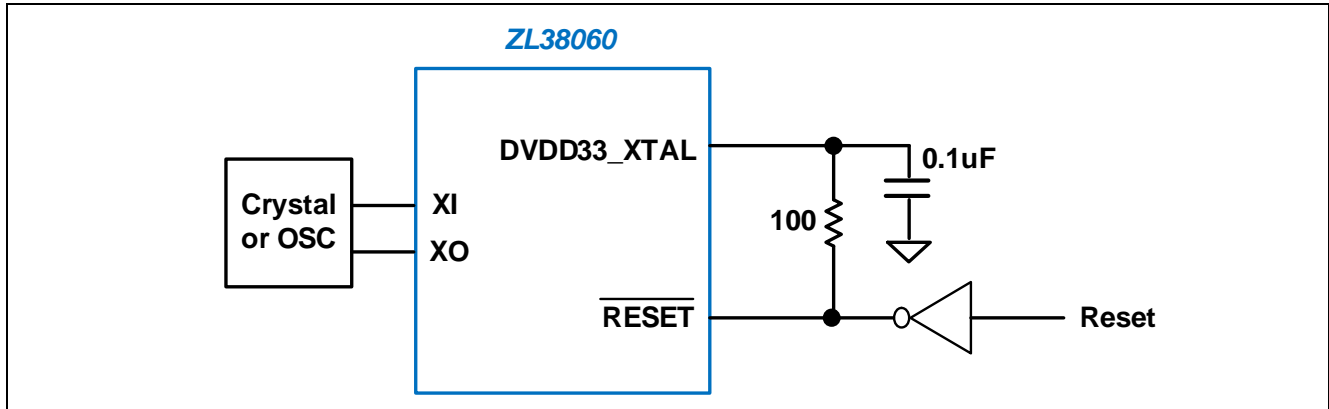
Table 6 - Q1 Component Options

Manufacturer	Part Number
Vishay®	Si1422DH
International Rectifier	IRLMS2002
Diodes Inc.®	ZXMN2B03E6

**5.1.1.3 Ultra-Low Power Mode**

When using a crystal or clock oscillator, the ZL38060 can be placed into an Ultra-low power state by turning off the crystal oscillator’s internal voltage regulator. The circuit required to perform this is shown in [Figure 27](#).

The external circuit that drives the ZL38060  $\overline{\text{RESET}}$  pin can also be used to power the DVDD33\_XTAL pin. The reset drive circuit (gate) needs to provide at least 10 mA of source current when reset is high. The series 100 ohm resistor provides a time delay to keep crystal power from reacting to short reset pulses. When the reset line goes low for longer than 10  $\mu\text{S}$ , the crystal oscillator’s internal regulator will turn off and the ZL38060 will draw Ultra-low power as specified in [“Device Operating Modes” on page 43](#).



**Figure 27 - Ultra-Low Power Operation Circuit**



## 6.0 Device Booting

### 6.1 Boot Loader

The ZL38060 device contains a built-in boot-loader that gets executed after a hardware reset or when power is initially applied to the part. The Boot loader performs the following actions:

- Reads the GPIO bootstrap information and stores it in the Boot Sense registers
- Determinant on the bootstrap setting, loads external serial Flash device contents (firmware and configuration record) into Program RAM (Auto Boot), or waits for the host to load Program RAM (Host Boot)
- Auto Boot then programs the ZL38060 configuration registers to their proper default values, and
- Auto Boot jumps to Program RAM to execute the firmware

### 6.2 Bootstrap Modes

[Table 7](#) lists the different boot options that can be selected by using external resistors. These GPIOs have internal pull-down resistors, thereby defaulting to a 0 setting. A resistor to DVDD33 is required to select a 1 option. The external pull-up resistors must have a value of 3.3 K $\Omega$ . A GPIO with a bootstrap pull-up can be used for other functionality following the power-up boot sense process.

**Table 7 - Bootstrap Modes**

GPIO_2	GPIO_1	GPIO_0	Operating Mode	Description	Notes
X	0	0	12.000 MHz Crystal or Clock Oscillator (default)	Clock source selection	
X	0	1	TDM FSA source is 8 kHz		1, 2
X	1	0	TDM FSA source is 16 kHz		1, 3
X	1	1	Reserved		1
0	X	X	Host Boot (default)	Boot source selection	
1	X	X	Auto Boot from external Flash		1, 4

X = Don't care.

Note 1: GPIO\_[2:0] pins can have a pull-up resistor for bootstrap options. If a pull-up resistor is present and GPIO\_[2:0] are used for keypad scanning, it is preferable to use GPIO\_[2:0] as column lines to minimize power dissipation.

Note 2: Apply a 3.3 K $\Omega$  resistor from GPIO\_0 to DVDD33.

Note 3: Apply a 3.3 K $\Omega$  resistor from GPIO\_1 to DVDD33.

Note 4: Apply a 3.3 K $\Omega$  resistor from GPIO\_2 to DVDD33. Note, when external Flash is selected, GPIO\_9 = SM\_CS.

### 6.3 Loadable Device Code

In order for the ZL38060 to operate, it must be loaded with code that resides externally. This code can either be Auto Booted from an external Flash memory through the Master SPI, or can be loaded into the ZL38060 by the host processor through the HBI port. An external resistor pull-up or an internal resistor pull-down determines which boot mode will be used (see [Table 7](#)).

The external code consists of two logical segments, the firmware code itself and the configuration record. The firmware is a binary image which contains all of the executable code allowing the ZL38060 to perform voice processing and establishes the user command set. The configuration record contains settings for all of the user registers and defines the power-up operation of the device.

For an application that has no host and no way of externally programming the ZL38060, the configuration record is setup so that the registers are set to their desired values for normal operation.

A GUI development tool (*MiTuner™* ZLS38508) is provided to create and modify a configuration record and create a bootable Flash image which can then be duplicated for production of the end product. This tool requires access to the UART and to the I<sup>2</sup>S port for tuning (refer to [11.0, "AEC Tuning" on page 60](#)).

#### 6.3.1 Boot Speed

When performing an Auto Boot from a Flash device the boot sequence lasts <1 second.

When performing a Host Boot through the HBI SPI/I<sup>2</sup>C Slave port, the boot time will vary depending on the host's communications speed. SPI can run up to a speed of 25 MHz and has less overhead, allowing it to perform a boot download ~<300 ms; I<sup>2</sup>C is limited to a speed of 400 kHz, making a boot download last ~>5 seconds. If boot speed is important, use the HBI SPI Slave port for booting rather than the I<sup>2</sup>C Slave port.

### 6.4 Bootup Procedure

Valid clocks (PCLKA/FSA or a crystal or oscillator) must be present before the ZL38060 device can exit its reset state. After the reset line is released, the ZL38060's internal voltage regulator will be enabled (if the EXT\_SEL pin is strapped low). Once the +1.2 V supply is established, the PLL will be also be enabled. Based on the GPIO bootstrap options, the ZL38060 will select the appropriate PLL source and system parameters and the PLL will lock to the desired operating frequency. An event will be placed in the event-queue and the interrupt pin (HINT) will be pulled low to signal the host when it's OK to load boot code.

Next, if the GPIO strapping pins indicate that the ZL38060 will Auto Boot, it will begin reading data from the external Flash. Refer to the *Microsemi AcuEdge™ Technology ZLS38060 Firmware Manual* for a listing of the complete Boot Sequence.

If the GPIO strapping pins indicate that the ZL38060 will Host Boot, the SPI or I<sup>2</sup>C port that initiates the loading process becomes the boot master. The ZL38060 allows for automatic configuration between SPI and I<sup>2</sup>C operation. For the HBI port, if the HCLK toggles for two cycles, the HBI will default to the SPI Slave, otherwise it will remain configured as I<sup>2</sup>C.

7.0 Device Pinout

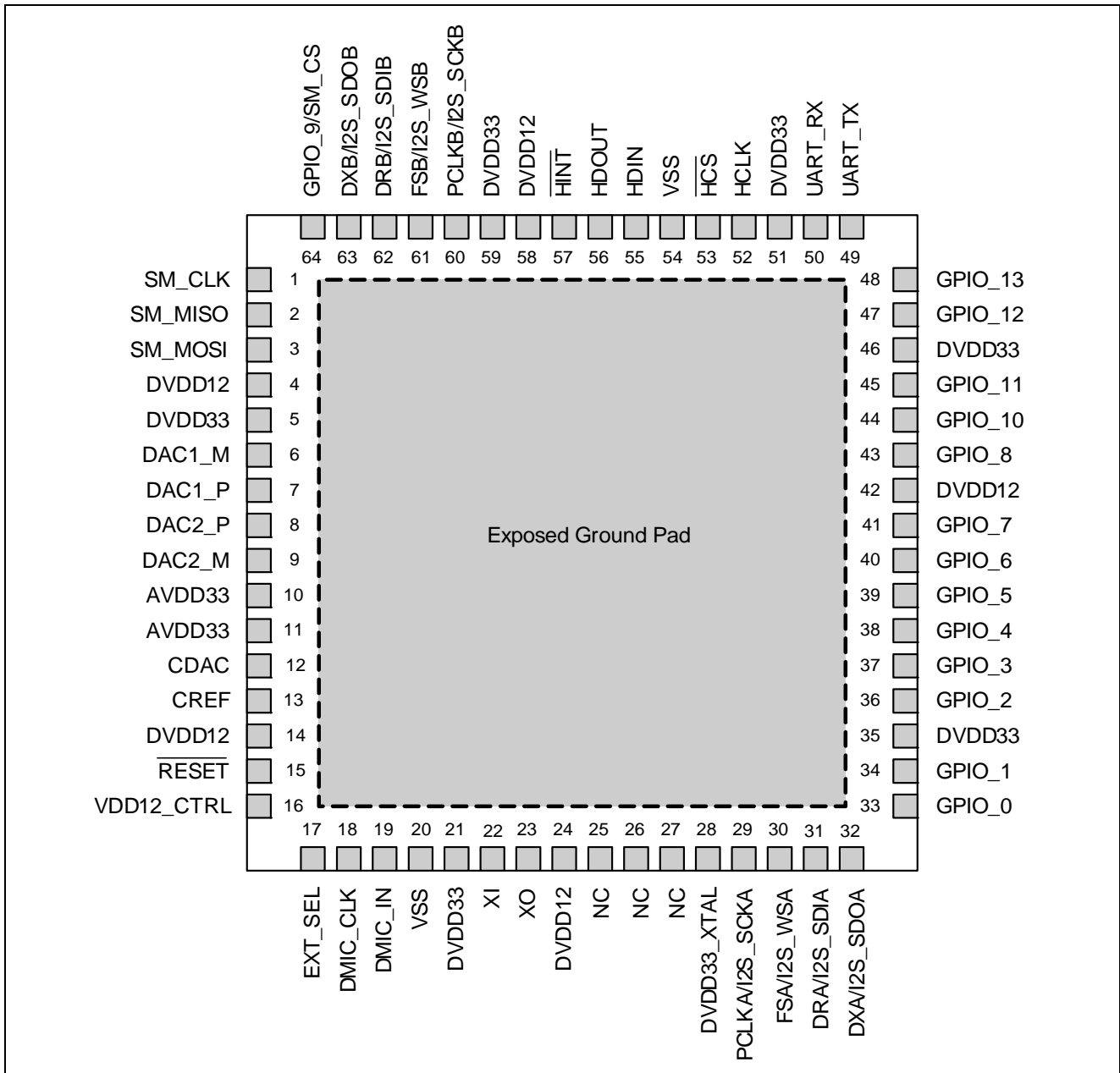


Figure 28 - ZL38060 Device Pinout (64-Pin QFN) – Top View

## 8.0 Pin Descriptions

**Table 8 - Reset Pin Description**

QFN Pin #	Name	Type	Description
15	$\overline{\text{RESET}}$	Input	<p><b>Reset.</b> When low the device is in its reset state and all tristate outputs will be in a high impedance state. This input must be high for normal device operation. A 10 K<math>\Omega</math> pull-up resistor is required on this pin to DVDD33 if this pin is not continuously driven.</p> <p>Refer to <a href="#">“Reset” on page 29</a> for an explanation of the various reset states and their timing.</p>

**Table 9 - DAC Pin Descriptions**

QFN Pin #	Name	Type	Description
6	DAC1_M	Output	<b>DAC 1 Minus Output.</b> This is the negative output signal of the differential amplifier of DAC 1.
7	DAC1_P	Output	<b>DAC 1 Plus Output.</b> This is the positive output signal of the differential amplifier of DAC 1.
9	DAC2_M	Output	<b>DAC 2 Minus Output.</b> This is the negative output signal of the differential amplifier of DAC 2.
8	DAC2_P	Output	<b>DAC 2 Plus Output.</b> This is the positive output signal of the differential amplifier of DAC 2.
12	CDAC	Output	<b>DAC Reference.</b> This pin requires capacitive decoupling. Refer to <a href="#">“DAC and Reference Bias Circuits” on page 13</a> .
13	CREF	Output	<b>Common Mode Reference.</b> This pin requires capacitive decoupling. Refer to <a href="#">“DAC and Reference Bias Circuits” on page 13</a> .

**Table 10 - Microphone Pin Descriptions**

QFN Pin #	Name	Type	Description
18	DMIC_CLK	Output	<b>Digital Microphone Clock Output.</b> Clock output for digital microphones and digital electret microphone pre-amplifier devices.
19	DMIC_IN	Input	<b>Digital Microphone Input.</b> Stereo or mono digital microphone input. Tie to VSS if unused.

**Table 11 - TDM and I<sup>2</sup>S Ports Pin Descriptions**

The ZL38060 device has two TDM interfaces, TDM-A and TDM-B. Each TDM block is capable of being a master or a slave. The ports can be configured for Pulse-Code Modulation (PCM) or Inter-IC Sound (I<sup>2</sup>S) operation. The ports conform to PCM, GCI, and I<sup>2</sup>S timing protocols.

QFN Pin #	Name	Type	Description
29	PCLKA/ I2S_SCKA	Input/ Output	<p><b>PCM Port A Clock (Input/Tristate Output).</b> PCLKA is equal to the bit rate of signals DRA/DXA. In TDM master mode this clock is an output and in TDM slave mode this clock is an input.</p> <p><b>I<sup>2</sup>S Port A Serial Clock (Input/Tristate Output).</b> This is the I<sup>2</sup>S port A bit clock. In I<sup>2</sup>S master mode this clock is an output and drives the bit clock input of the external slave device's peripheral converters. In I<sup>2</sup>S slave mode this clock is an input and is driven from a converter operating in master mode.</p> <p>After power-up, this signal defaults to be an input in I<sup>2</sup>S slave mode.</p> <p><i>A 100 K<math>\Omega</math> pull-down resistor is required on this pin to VSS. If this pin is unused, tie the pin to VSS.</i></p> <p><i>When driving PCLKA/I2S_SCKA from a host, one of the following conditions must be satisfied:</i></p> <ol style="list-style-type: none"> <li>1. Host drives PCLKA low during reset, or</li> <li>2. Host tri-states PCLKA during reset (the 100 K<math>\Omega</math> resistor will keep PCLKA low), or</li> <li>3. Host drives PCLKA at its normal frequency</li> </ol>
30	FSA/ I2S_WSA	Input/ Output	<p><b>PCM Port A Frame Pulse (Input/Tristate Output).</b> This is the TDM frame alignment reference. This signal is an input for applications where the PCM bus is frame aligned to an external frame signal (slave mode). In master mode this signal is a frame pulse output.</p> <p><b>I<sup>2</sup>S Port A Word Select (Left/Right) (Input/Tristate Output).</b> This is the I<sup>2</sup>S port A left or right word select. In I<sup>2</sup>S master mode word select is an output which drives the left/right input of the external slave device's peripheral converters. In I<sup>2</sup>S slave mode this pin is an input which is driven from a converter operating in master mode.</p> <p>After power-up, this signal defaults to be an input in I<sup>2</sup>S slave mode. <i>Tie this pin to VSS if unused.</i></p>
31	DRA/ I2S_SDIA	Input	<p><b>PCM Port A Serial Data Stream Input.</b> This serial data stream operates at PCLK data rates.</p> <p><b>I<sup>2</sup>S Port A Serial Data Input.</b> This is the I<sup>2</sup>S port serial data input.</p> <p><i>Tie this pin to VSS if unused.</i></p>

QFN Pin #	Name	Type	Description
32	DXA/ I2S_SDOA	Output	<p><b>PCM Port A Serial Data Stream Output.</b> This serial data stream operates at PCLK data rates.</p> <p><b>I<sup>2</sup>S Port A Serial Data Output.</b> This is the I<sup>2</sup>S port serial data output.</p>
60	PCLKB/ I2S_SCKB	Input/ Output	<p><b>PCM Port B Clock (Input/Tristate Output).</b> PCLKB is equal to the bit rate of signals DRB/DXB. In TDM master mode this clock is an output and in TDM slave mode this clock is an input.</p> <p><b>I<sup>2</sup>S Port B Serial Clock (Input/Tristate Output).</b> This is the I<sup>2</sup>S port B bit clock. In I<sup>2</sup>S master mode this clock is an output and drives the bit clock input of the external slave device's peripheral converters. In I<sup>2</sup>S slave mode this clock is an input and is driven from a converter operating in master mode.</p> <p>After power-up, this signal is an input in I<sup>2</sup>S slave mode. <i>Tie this pin to VSS if unused.</i></p>
61	FSB/ I2S_WSB	Input/ Output	<p><b>PCM Port B Frame Pulse (Input/Tristate Output).</b> This is the TDM frame alignment reference. This signal is an input for applications where the PCM bus is frame aligned to an external frame signal (slave mode). In master mode this signal is a frame pulse output.</p> <p><b>I<sup>2</sup>S Port B Word Select (Left/Right) (Input/Tristate Output).</b> This is the I<sup>2</sup>S port B left or right word select. In I<sup>2</sup>S master mode word select is an output which drives the left/right input of the external slave device's peripheral converters. In I<sup>2</sup>S slave mode this pin is an input which is driven from a converter operating in master mode.</p> <p>After power-up, this signal defaults to be an input in I<sup>2</sup>S slave mode. <i>Tie this pin to VSS if unused.</i></p>
62	DRB/ I2S_SDIB	Input	<p><b>PCM Port B Serial Data Stream Input.</b> This serial data stream operates at PCLK data rates.</p> <p><b>I<sup>2</sup>S Port B Serial Data Input.</b> This is the I<sup>2</sup>S port serial data input.</p> <p><i>Tie this pin to VSS if unused.</i></p>
63	DXB/ I2S_SDOB	Output	<p><b>PCM Port B Serial Data Stream Output.</b> This serial data stream operates at PCLK data rates.</p> <p><b>I<sup>2</sup>S Port B Serial Data Output.</b> This is the I<sup>2</sup>S port serial data output.</p>

**Table 12 - HBI – SPI Slave Port Pin Descriptions**

This port functions as a peripheral interface for an external controller, and supports access to the internal registers and memory of the device.

QFN Pin #	Name	Type	Description
52	HCLK	Input	<p><b>HBI SPI Slave Port Clock Input.</b> Clock input for the SPI Slave port. Maximum frequency = 25 MHz.</p> <p>This input should be tied to VSS in I<sup>2</sup>C mode, refer to <a href="#">Table 2</a>. Tie this pin to VSS if unused.</p>
53	$\overline{\text{HCS}}$	Input	<p><b>HBI SPI Slave Chip Select Input.</b> This active low chip select signal activates the SPI Slave port.</p> <p><b>HBI I<sup>2</sup>C Serial Clock Input.</b> This pin functions as the I2C_SCLK input in I<sup>2</sup>C mode. A pull-up resistor is required on this node for I<sup>2</sup>C operation.</p> <p>Tie this pin to VSS if unused.</p>
55	HDIN	Input	<p><b>HBI SPI Slave Port Data Input.</b> Data input signal for the SPI Slave port.</p> <p>This input selects the slave address in I<sup>2</sup>C mode, refer to <a href="#">Table 2</a>. Tie this pin to VSS if unused.</p>
56	HDOUT	Input/ Output	<p><b>HBI SPI Slave Port Data Output (Tristate Output).</b> Data output signal for the SPI Slave port.</p> <p><b>HBI I<sup>2</sup>C Serial Data (Input/Output).</b> This pin functions as the I2C_SDA I/O in I<sup>2</sup>C mode. A pull-up resistor is required on this node for I<sup>2</sup>C operation.</p>
57	$\overline{\text{HINT}}$	Output	<p><b>HBI Interrupt Output.</b> This output can be configured as either CMOS or open drain by the host.</p>

**Table 13 - Master SPI Port Pin Descriptions**

This port functions as the interface to an external Flash device used to optionally Auto Boot and load the device's firmware and configuration record from external Flash memory.

QFN Pin #	Name	Type	Description
1	SM_CLK	Output	<p><b>Master SPI Port Clock (Tristate Output).</b> Clock output for the Master SPI port. Maximum frequency = 8 MHz.</p>
2	SM_MISO	Input	<p><b>Master SPI Port Data Input.</b> Data input signal for the Master SPI port.</p>
3	SM_MOSI	Output	<p><b>Master SPI Port Data Output (Tristate Output).</b> Data output signal for the Master SPI port.</p>
64	GPIO_9/ SM_CS	Input/ Output	<p><b>Master SPI Port Chip Select (Input Internal Pull-Up/Tristate Output).</b> Chip select output for the Master SPI port.</p> <p>Shared with GPIO_9, see <a href="#">Table 16</a>.</p>

**Table 14 - Oscillator Pin Descriptions**

These pins are connected to a 12.000 MHz crystal or clock oscillator which drives the device's internal PLL. Alternatively, PCLKA can be used as the internal clock source.

QFN Pin #	Name	Type	Description
22	XI	Input	<b>Crystal Oscillator Input.</b> Refer to <a href="#">“External Clock Requirements” on page 48.</a>
23	XO	Output	<b>Crystal Oscillator Output.</b> Refer to <a href="#">“External Clock Requirements” on page 48.</a>

**Table 15 - UART Pin Descriptions**

The ZL38060 device incorporates a two-wire UART (Universal Asynchronous Receiver Transmitter) interface with a fixed 115.2K baud transfer rate, 8 data bits, 1 stop and no parity. The UART port can be used as a debug tool and is used for tuning purposes.

QFN Pin #	Name	Type	Description
50	UART_RX	Input	<b>UART (Input).</b> Receive serial data in. This port functions as a peripheral interface for an external controller and supports access to the internal registers and memory of the device.
49	UART_TX	Output	<b>UART (Tristate Output).</b> Transmit serial data out. This port functions as a peripheral interface for an external controller and supports access to the internal registers and memory of the device.

**Table 16 - GPIO Pin Descriptions**

GPIO ports can be used for the keypad interface, interrupt and event reporting, fixed function control, bootstrap options, as well as being used for general purpose I/O for communication and controlling external devices.

QFN Pin #	Name	Type	Description
33,34,36	GPIO_[0:2]	Input/Output	<b>General Purpose I/O (Input Internal Pull-Down/Tristate Output).</b> These pins can be configured as an input or output and are intended for low-frequency signalling. Refer to <a href="#">Table 5</a> and <a href="#">Table 7</a> for additional GPIO functionality.
37,38,39,40,41,43	GPIO_[3:8]	Input/Output	<b>General Purpose I/O (Input Internal Pull-Down/Tristate Output).</b> These pins can be configured as an input or output and are intended for low-frequency signalling. Refer to <a href="#">Table 5</a> for additional GPIO functionality.
64	GPIO_9/ SM_CS	Input/Output	<b>General Purpose I/O (Input Internal Pull-Down/Tristate Output).</b> This pin can be configured as an input or output and is intended for low-frequency signalling. Refer to <a href="#">Table 5</a> for additional GPIO functionality.  Alternate functionality with SM_CS, see <a href="#">Table 13</a> .
44,45,47,48	GPIO_[10:13]	Input/Output	<b>General Purpose I/O (Input Internal Pull-Down/Tristate Output).</b> These pins can be configured as an input or output and are intended for low-frequency signalling. Refer to <a href="#">Table 5</a> for additional GPIO functionality.



**Table 17 - Supply and Ground Pin Descriptions**

QFN Pin #	Name	Type	Description
17	EXT_SEL	Input	<b>VDD +1.2 V Select.</b> Select external +1.2 V supply. Tie to DVDD33 if the +1.2 V supply is to be provided externally. Tie to VSS (0 V) if the +1.2 V supply is to be generated internally. Refer to <a href="#">“Power Supply Considerations” on page 29</a> for more information.
16	VDD12_CTRL	Output	<b>VDD +1.2 V Control.</b> Analog control line for the voltage regulator external FET when EXT_SEL is tied to VSS. When EXT_SEL is tied to DVDD33, the VDD12_CTRL pin becomes a CMOS output which can drive the shutdown input of an external LDO. Refer to <a href="#">“Power Supply Considerations” on page 29</a> for more information.
4, 14, 24, 42, 58	DVDD12	Power	<b>Core Supply.</b> Connect to a +1.2 V $\pm 5\%$ supply. <i>Place a 100 nF, 20%, 10 V, ceramic capacitor on each pin decoupled to the VSS plane.</i> Refer to <a href="#">“Power Supply Considerations” on page 29</a> for more information.
5, 21, 35, 46, 51, 59	DVDD33	Power	<b>Digital Supply.</b> Connect to a +3.3 V $\pm 5\%$ supply. <i>Place a 100 nF, 20%, 10 V, ceramic capacitor on each pin decoupled to the VSS plane.</i>
28	DVDD33_XTAL	Power	<b>Crystal Digital Supply.</b> For designs using a crystal or external oscillator, this pin must be connected to a +3.3 V supply source capable of delivering 10 mA. For designs that do not use a crystal or external oscillator, this pin can be tied to VSS in order to save power.
10, 11	AVDD33	Power	<b>Analog Supply.</b> Connect to a +3.3 V $\pm 5\%$ supply. <i>Place a 100 nF, 20%, 10 V, ceramic capacitor on each pin decoupled to the VSS plane.</i>
20, 54	VSS	Ground	<b>Ground.</b> Connect to digital ground plane.
	Exposed Ground Pad	Ground	<b>Exposed Pad Substrate Connection.</b> Connect to VSS. This pad is at ground potential and must be soldered to the printed circuit board and connected via multiple vias to a heatsink area on the bottom of the board and to the internal ground plane.

**Table 18 - No Connect Pin Description**

QFN Pin #	Name	Type	Description
25, 26, 27	NC		<b>No Connection.</b> These pins are to be left unconnected, do not use as a tie point.

## 9.0 Electrical Characteristics

### 9.1 Absolute Maximum Ratings

Stresses above those listed under *Absolute Maximum Ratings* can cause permanent device failure. Functionality at or above these limits is not implied. Exposure to absolute maximum ratings for extended periods may affect device reliability.

Supply voltage (DVDD33, AVDD33)	-0.5 to +4.0 V
Core supply voltage (DVDD12)	-0.5 to +1.32 V
Input voltage	-0.5 to +4.0 V
Continuous current at digital outputs	15 mA
Reflow temperature, 10 sec., MSL3, per JEDEC J-STD-020	260 °C
Storage temperature	-55 to +125 °C
ESD immunity (Human Body Model)	JESD22 Class 1C compliant

### 9.2 Thermal Resistance

Junction to ambient thermal resistance <sup>(1)</sup> , $\theta_{JA}$	22.1 °C/W
Junction to board thermal resistance <sup>(1)</sup> , $\theta_{JB}$	6.1 °C/W
Junction to exposed pad thermal resistance <sup>(1)</sup> , $\theta_{JC}$	2.0 °C/W
Junction to top characterization parameter, $\psi_{JT}$	0.1 °C/W

**Notes:**

1. The thermal specifications assume that the device is mounted on an effective thermal conductivity test board (4 layers, 2s2p) per JEDEC JESD51-7 and JESD51-5.

### 9.3 Operating Ranges

Microsemi guarantees the performance of this device over the industrial (-40 °C to 85 °C) temperature range by conducting electrical characterization over each range and by conducting a production test with single insertion coupled to periodic sampling. These characterization and test procedures comply with the *Telcordia GR-357-CORE Generic Requirements for Assuring the Reliability of Components Used in Telecommunications Equipment*.

Parameter	Symbol	Min.	Typ.	Max.	Units
Ambient temperature	$T_A$	-40		+85	°C
Analog supply voltage	$V_{AVDD33}$	3.135	3.3	3.465	V
Digital supply voltage	$V_{DVDD33}$				
Crystal Digital supply voltage	$V_{DVDD33\_XTAL}$				
Crystal I/O voltage	$V_{XI}$		2.5	2.625	V
Core supply voltage	$V_{DVDD12}$	1.14	1.2	1.26	V

## 9.4 Device Operating Modes

When the firmware is running the ZL38060 is considered to be in Normal operational mode. Low-Power and Sleep modes are firmware programmable options. Reset and Ultra-Low Power modes are hardware modes that can be utilized to minimize power consumption. These are all highlighted in the following sections.

Refer to the *Microsemi AcuEdge™ Technology ZLS38060 Firmware Manual* for programming and additional information on the firmware operating modes.

### 9.4.1 Normal

- Normal firmware mode
- HBI active
- Audio path active, wideband or narrowband operation
- DACs and MICs can be enabled
- Audio Processor always on

Normal mode is recommended for applications that use the internal voltage regulator with analog microphones. Normal mode keeps the Audio Processor always on, thereby minimizing +1.2 V power supply noise that could be injected into sensitive analog microphone circuitry via the board layout.

### 9.4.2 Low-Power

- Low-Power firmware mode
- HBI active
- Audio path active, wideband or narrowband operation
- DACs and MICs can be enabled
- Audio Processor operates in Power Saving Mode

Low-power mode is selected in register 0x206 (System Control Flags) bit 1, or can be selected from the ZLS38508 *MiTuner™* GUI in the AEC Control window (Enable Power Saving Mode). Low-Power mode is not recommended for applications that use the internal voltage regulator with analog microphones.

### 9.4.3 Sleep

- Sleep firmware mode
- HBI active
- Audio path inactive
- DACs and MICs are powered down
- Audio Processor made inactive, internal clocks are shutdown, requires a wake-up procedure to return to Normal or Low-Power mode

The ZL38060 will respond to no other inputs until it awakens from Sleep mode. To wake from Sleep mode, perform an HBI Wake From Sleep operation, as described in the *ZLS38060 Firmware Manual* Appendix D. The firmware and configuration records loaded into the device RAM are retained, no re-boot is required.

### 9.4.4 Reset

- Hardware mode, the ZL38060 goes into this mode when the  $\overline{\text{RESET}}$  pin is held low for greater than 10  $\mu\text{S}$
- HBI inactive
- Audio path inactive

- DACs and MICs are powered down
- Audio Processor powered down via removal of +1.2 V supply

See [4.0, “Reset” on page 29](#) for more information and refer to [5.0, “Power Supply” on page 29](#) for information on +1.2 V removal.

#### 9.4.5 Ultra-Low Power

- Hardware mode when using an external crystal or crystal oscillator, the hardware can be configured to enter this mode when the RESET pin is held low for greater than 10  $\mu$ S
- HBI inactive
- Audio path inactive
- DACs and MICs are powered down
- Audio Processor powered down via removal of +1.2 V supply
- Crystal or crystal oscillator supply made inactive

See [4.0, “Reset” on page 29](#) and [5.1.1.3, “Ultra-Low Power Mode” on page 32](#) for more information, refer to [5.0, “Power Supply” on page 29](#) for information on +1.2 V removal.

#### 9.4.6 Current Consumption

Device current consumption can vary with the firmware load. Common values are listed here using an external +1.2 V supply for the core power supply with PCLKA as the external clock source for the PLL and a 3.3 K $\Omega$  resistor from GPIO\_2 to DVDD33 (external Flash selected), unless otherwise noted.

Operational Mode	+3.3 V <sup>1</sup>		+1.2 V <sup>2</sup>		Units	Notes / Conditions
	Typ.	Max.	Typ.	Max.		
Normal Wideband Narrowband	16.6 13.6		123 73		mA	Firmware active, power-saving off, 1 DAC active <sup>3</sup> , 1 or 2 MICs active, LEC bypassed.
Low-Power Wideband Narrowband	14.5 13.6		78 48			Firmware active, power-saving on, 1 DAC active <sup>3</sup> , 1 or 2 MICs active, LEC bypassed.
Sleep	2.1		2.5			Firmware inactive (Firmware and configuration record are retained), DACs and MICs are powered down, HBI is active.
Reset	100		0		$\mu$ A	Device in reset (reset > 10 $\mu$ S), DVDD12 removed <sup>4</sup> .
Ultra-Low Power	3		0			Crystal or crystal oscillator in use. Device in reset (reset > 10 $\mu$ S), DVDD12 not present, DVDD33_XTAL held low.

Note 1: Table values include all current entering DVDD33, AVDD33, and DVDD33\_XTAL pins. Add 1.0 mA to Normal, Low-Power, and Sleep modes if the internal voltage regulator is used (EXT\_SEL = VSS). Add 1.1 mA to Normal, Low-Power, and Sleep modes if a crystal or crystal oscillator is used (DVDD33\_XTAL = +3.3 V).

Note 2: Core supply voltage. Table values include all current entering DVDD12 pins.

Note 3: DAC in differential mode, for 2 DACs active in differential mode, add 3.6 mA to +3.3 V current.

Note 4: DVDD12 is removed if the internal regulator is used for +1.2 V generation or if the VDD12\_CTRL pin is used to shutdown an external +1.2 V LDO that provides DVDD12 to the ZL38060.

## 9.5 DC Specifications

Typical values are for TA = 25 °C and nominal supply voltage. Minimum and maximum values are over the industrial -40 °C to 85 °C temperature range and supply voltage range as shown in [“Operating Ranges” on page 42](#), except as noted. A 12.000 MHz clock oscillator is active.

Parameter	Symbol	Min.	Typ.	Max.	Units	Notes / Conditions
Input high voltage	V <sub>IH</sub>	0.7 * V <sub>DVDD33</sub>		V <sub>DVDD33</sub> + 0.3	V	All digital inputs
Input low voltage	V <sub>IL</sub>	V <sub>VSS</sub> - 0.3		0.3 * V <sub>DVDD33</sub>	V	All digital inputs
Input hysteresis voltage	V <sub>HYS</sub>	0.4			V	
Input leakage (input pins)	I <sub>IL</sub>			5	μA	0 to +3.3 V
Input leakage (bi-directional pins)	I <sub>BL</sub>			5	μA	0 to +3.3 V
Weak pull-up current	I <sub>PU</sub>	38	63	101	μA	Input at 0 V
Weak pull-down current	I <sub>PD</sub>	19	41	158	μA	Input at +3.3 V
Input pin capacitance	C <sub>I</sub>		5		pF	
Output high voltage	V <sub>OH</sub>	2.4			V	At 12 mA
Output low voltage	V <sub>OL</sub>			0.4	V	At 12 mA
Output high impedance leakage	I <sub>OZ</sub>			5	μA	0 to +3.3 V
Pin capacitance (output & input/tristate pins)	C <sub>O</sub>		5		pF	
Output rise time	t <sub>RT</sub>		1.25		ns	10% to 90%, C <sub>LOAD</sub> = 20 pF
Output fall time	t <sub>FT</sub>		1.25		ns	90% to 10%, C <sub>LOAD</sub> = 20 pF

## 9.6 AC Specifications

For all AC specifications, typical values are for TA = 25 °C and nominal supply voltage. Minimum and maximum values are over the industrial -40 °C to 85 °C temperature range and supply voltage ranges as shown in [“Operating Ranges” on page 42](#), except as noted. A 12.000 MHz clock oscillator is active, ZL38060 in Normal, Wideband operational mode.

### 9.6.1 Microphone Interface

Parameter	Symbol	Min.	Typ.	Max.	Units	Notes / Conditions
Microphone clock output (DMIC_CLK), 8 kHz, 16 kHz sample rate 48 kHz sample rate			1.024 3.072		MHz MHz	
DMIC_CLK, Output high current	I <sub>OH</sub>		20		mA	V <sub>OH</sub> = DVDD33 - 0.4 V
DMIC_CLK, Output low current	I <sub>OL</sub>		30		mA	V <sub>OL</sub> = 0.4 V
DMIC_CLK, Output rise and fall time	t <sub>R</sub> , t <sub>F</sub>		5		ns	C <sub>LOAD</sub> = 100 pF

**9.6.2 DAC**

Measurements taken using PCM mode. THD+N versus output power for speaker drive applications presented in [Figure 29](#); THD+N versus output voltage for amplifier drive applications presented in [Figure 30](#).

Parameter	Symbol	Min.	Typ.	Max.	Units	Notes / Conditions
DAC output level: Full scale: Differential Single-ended 0 dBm0 : Differential Single-ended	$V_{DACFS}$		4.8 2.4 2.8 1.4		$V_{PP}$	DAC gain = 1, 1 K $\Omega$ load.
PCM full scale level ( $V_{ppd}$ value)			9		dBm0	DAC gain = 1, 600 $\Omega$ load
DAC output power: Single-ended, 32 ohm load Single-ended, 16 ohm load Differential, 32 ohm load			20.6 37.5 86.0	24 47 94	mW	1, Single-ended loads driven capacitively to ground
Frequency response: Sample rate = 48 kS/s	$f_R$	20		20000	Hz	1, 3 dB cutoff includes external AC coupling, without AC coupling the response is low pass.
Dynamic range: Sample rate = 48 kS/s			92		dBFS	20 Hz - 20 kHz
Total harmonic distortion plus noise	THD + N		-82		dBFS	2, Input = -3 dBFS.
Signal to Noise Ratio	SNR		85		dB	2,1004 Hz, C-message weighted
Allowable capacitive load to ground	$C_L$			100	pF	1, At each DAC output.
Power supply rejection ratio	PSRR	50	70		dB	1, 20 Hz - 100 kHz, 100 mVpp supply noise.
Crosstalk			-85	-70	dB	1, Between DAC outputs.
Note 1: Guaranteed by design, not tested in production.						
Note 2: Single-ended or differential output.						

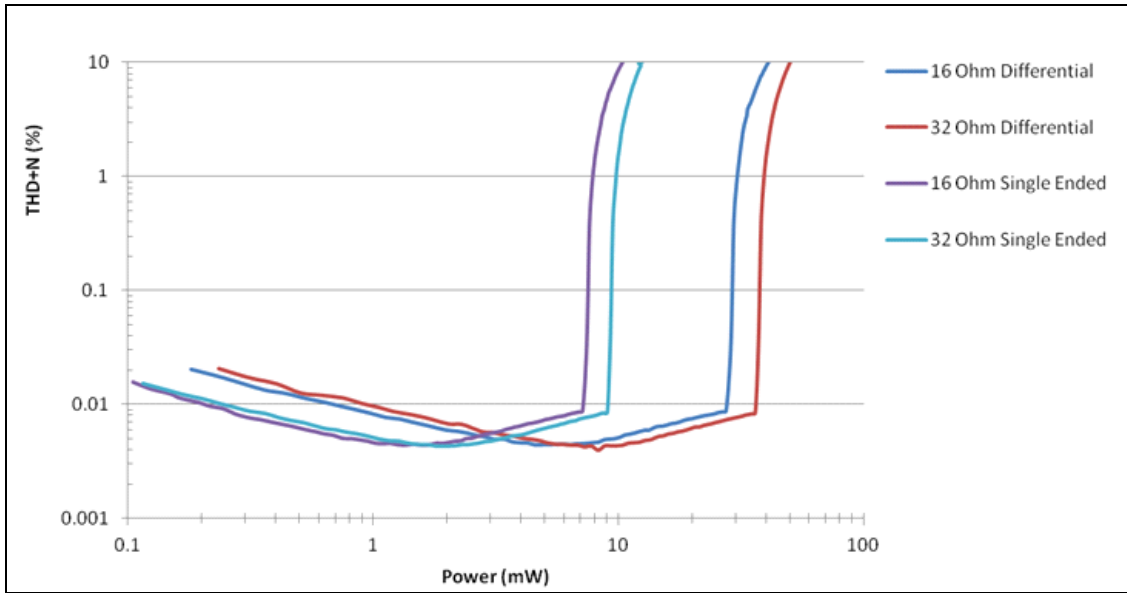


Figure 29 - THD+N Ratio versus Output Power – Driving Low Impedance

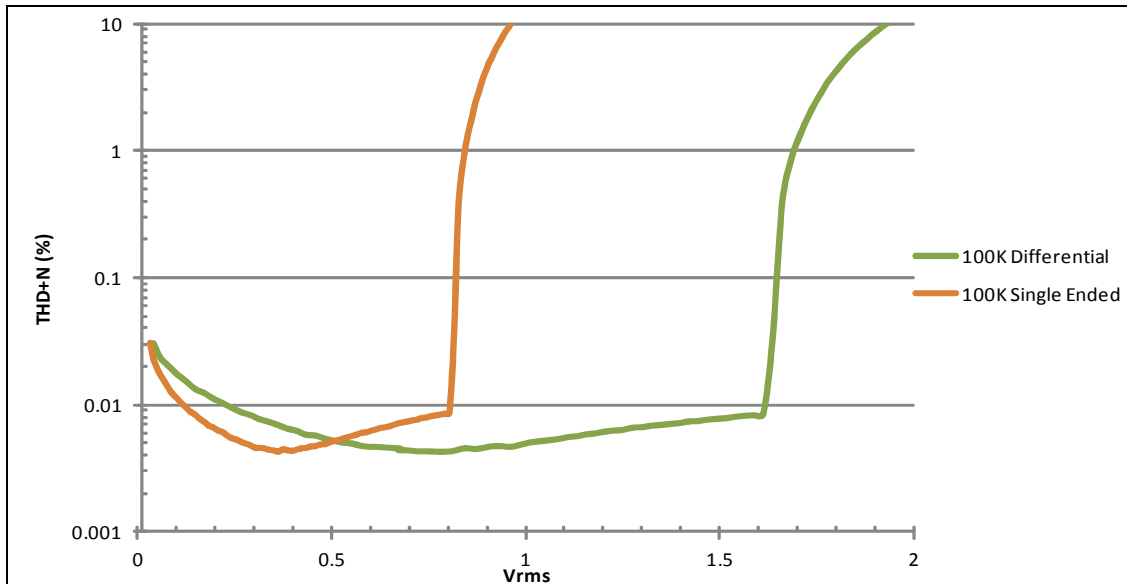


Figure 30 - THD+N Ratio versus  $V_{RMS}$  – Driving High Impedance

## 9.7 External Clock Requirements

In all modes of operation the ZL38060 requires an external clock source. The external clock drives the device's internal PLL which is the source for the internal timing signals.

The external clock source can be any one of the following:

- 12.000 MHz crystal
- 12.000 MHz clock oscillator with a 2.5 V output
- PCLKA on the TDM-A bus (crystal-less operation). The frequency of PCLKA must be 2.048, 4.096, or 8.192 MHz.

The following three sections discuss these options.

### 9.7.1 Crystal Application

The oscillator circuit that is created across pins XI and XO requires an external fundamental mode crystal that has a specified parallel resonance ( $f_p$ ) at 12.000 MHz.

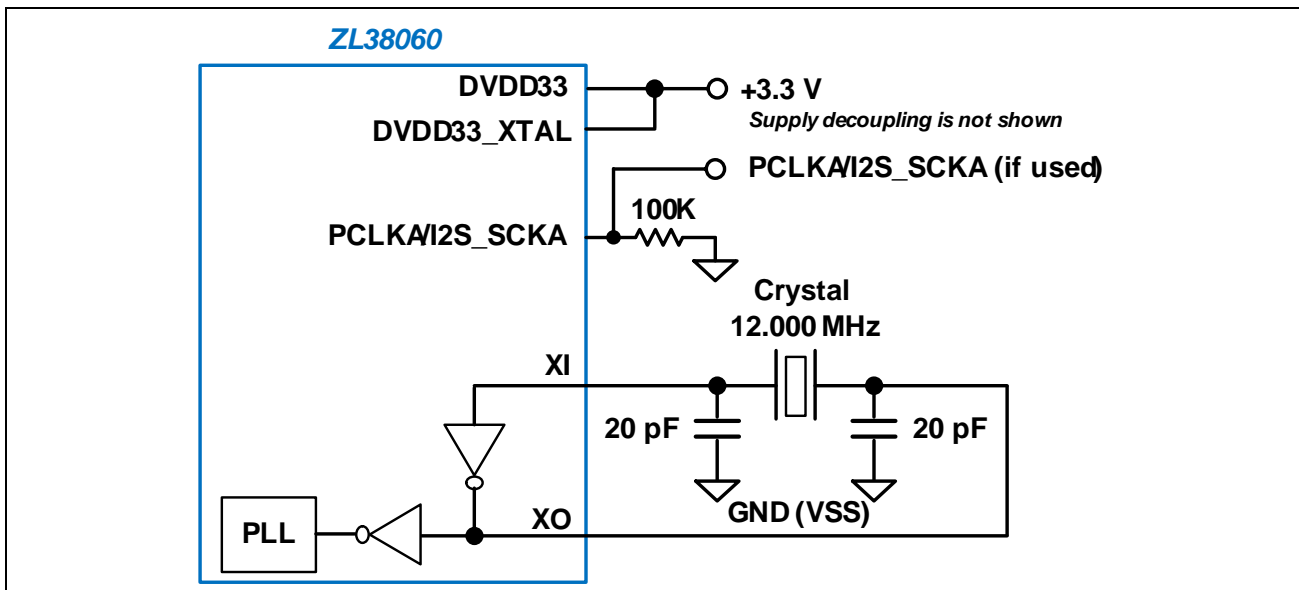


Figure 31 - Crystal Application Circuit



### 9.7.2 Clock Oscillator Application

Figure 32 illustrates the circuit that is used when the ZL38060 external clock source is a clock oscillator. The oscillator pins are 2.5 V compliant and should not be driven from 3.3 V CMOS without a level shifter or voltage attenuator.

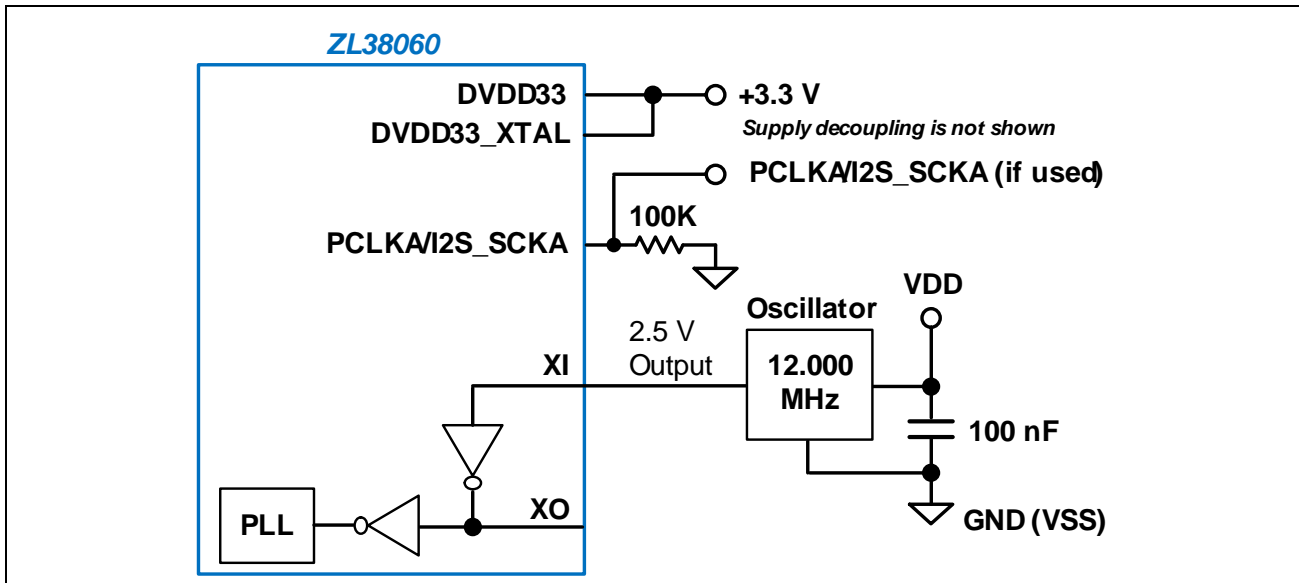


Figure 32 - Clock Oscillator Application Circuit

### 9.7.3 PCLKA (Crystal-less) Application

Figure 33 illustrates how to configure the ZL38060 for crystal-less operation. PCLKA is used as the PLL clock source. PCLKA must be set at a frequency of 2.048, 4.096, or 8.192 MHz. Since the crystal circuit is not used, the DVDD33\_XTAL pin can be grounded to VSS to save power.

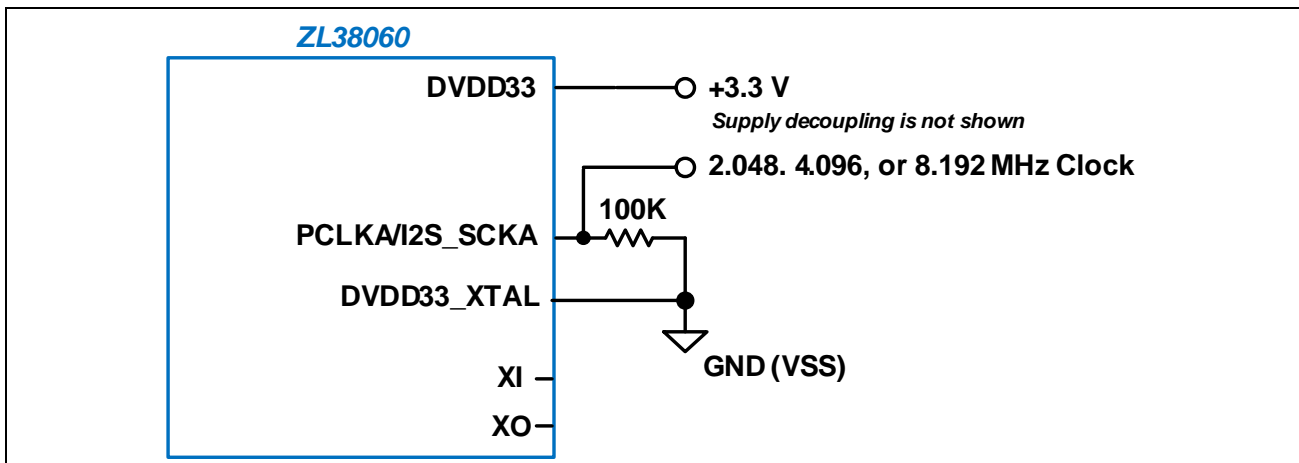


Figure 33 - Crystal-less Application Circuit

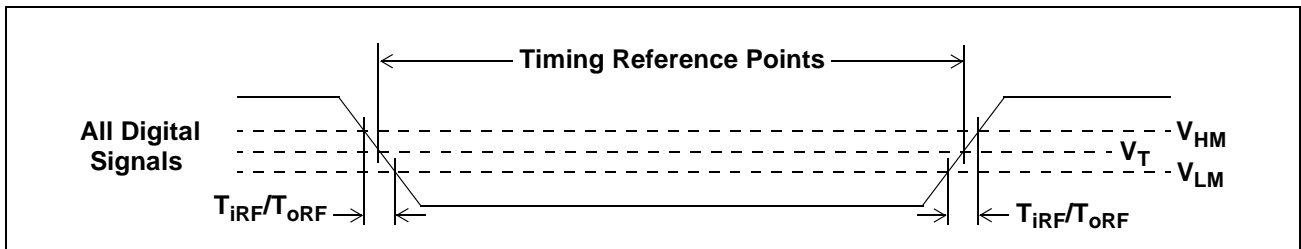
### 9.7.4 AC Specifications - External Clocking Requirements

These specifications apply to crystal, clock oscillator, or PCLKA external clocking, unless otherwise specified.

Parameter	Symbol	Min.	Typ.	Max.	Units	Notes / Conditions
External clocking frequency accuracy	$A_{OSC}$	-50		50	ppm	Not tested in production
External clocking duty cycle	$DC_{OSC}$	40		60	%	
PCLKA input jitter				1	ns <sub>pp</sub>	
PCLKA or PCLKB output jitter (master mode)				0.75	ns <sub>pp</sub>	
PCLKA lock time			200		μs	
Holdover accuracy				50	ppm	Crystal or clock oscillator use only. Not tested in production.

## 10.0 Timing Characteristics

[Figure 34](#) depicts the timing reference points that apply to the timing diagrams shown in this section. For all timing characteristics, typical values are for  $T_A = 25\text{ }^\circ\text{C}$  and nominal supply voltage. Minimum and maximum values are over the industrial  $-40\text{ }^\circ\text{C}$  to  $85\text{ }^\circ\text{C}$  temperature range and supply voltage ranges as shown in [“Operating Ranges” on page 42](#), except as noted.



**Figure 34 - Timing Parameter Measurement Digital Voltage Levels**

## 10.1 TDM Interface Timing Parameters

### 10.1.1 GCI and PCM Timing Parameters

Specifications for GCI and PCM timing modes are presented in the following table. The specifications apply to both port A and port B in slave operation.

A timing diagram that applies to GCI timing of the TDM interface is illustrated in [Figure 35](#).

Timing diagrams that apply to PCM timing of the TDM interface are illustrated in [Figure 36](#) and [Figure 37](#).

Parameter	Symbol	Min	Typ	Max	Unit	Notes / Conditions
PCLK period	$t_{PCY}$	122		7812.5	ns	1, 2, 4
PCLK High pulse width	$t_{PCH}$	48				2
PCLK Low pulse width	$t_{PCL}$	48				2
Fall time of clock	$t_{PCF}$			8		
Rise time of clock	$t_{PCR}$			8		
FS delay (output rising or falling)	$t_{FSD}$	2		15		2
		2		25		3
FS setup time (input)	$t_{FSS}$	5				5
FS hold time (input)	$t_{FSH}$	0.5		$125000 - 2t_{PCY}$		5
Data output delay	$t_{DOD}$	2		15		2
		2		25		3
Data output delay to High-Z	$t_{DOZ}$	0		10		6
Data input setup time	$t_{DIS}$	5				5
Data input hold time	$t_{DIH}$	0				5
Allowed PCLK jitter time	$t_{PCT}$			20		Peak-to-peak
Allowed Frame Sync jitter time	$t_{FST}$			20		Peak-to-peak

Note 1: PCLK frequency must be within 100 ppm.

Note 2:  $C_{LOAD} = 40$  pF

Note 3:  $C_{LOAD} = 150$  pF

Note 4: If PCLKA is used to drive the main system clock, its frequency must be a multiple of 2.048 MHz and it and FSA must be present at all times to maintain proper internal operation.

Note 5: Setup times based on 2 ns PCLK rise and fall times; hold times based on 0 ns PCLK rise and fall times.

Note 6: Guaranteed by design, not tested in production.

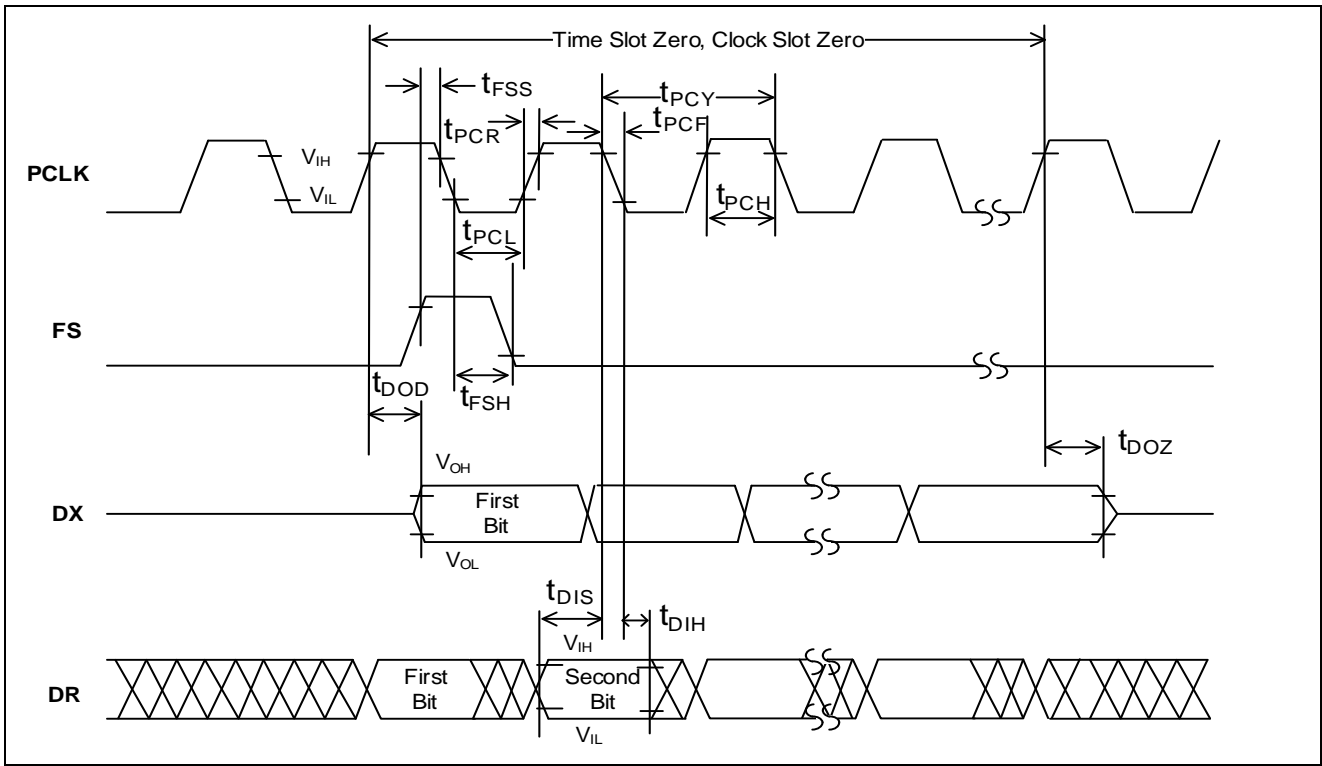


Figure 35 - GCI Timing, 8-bit

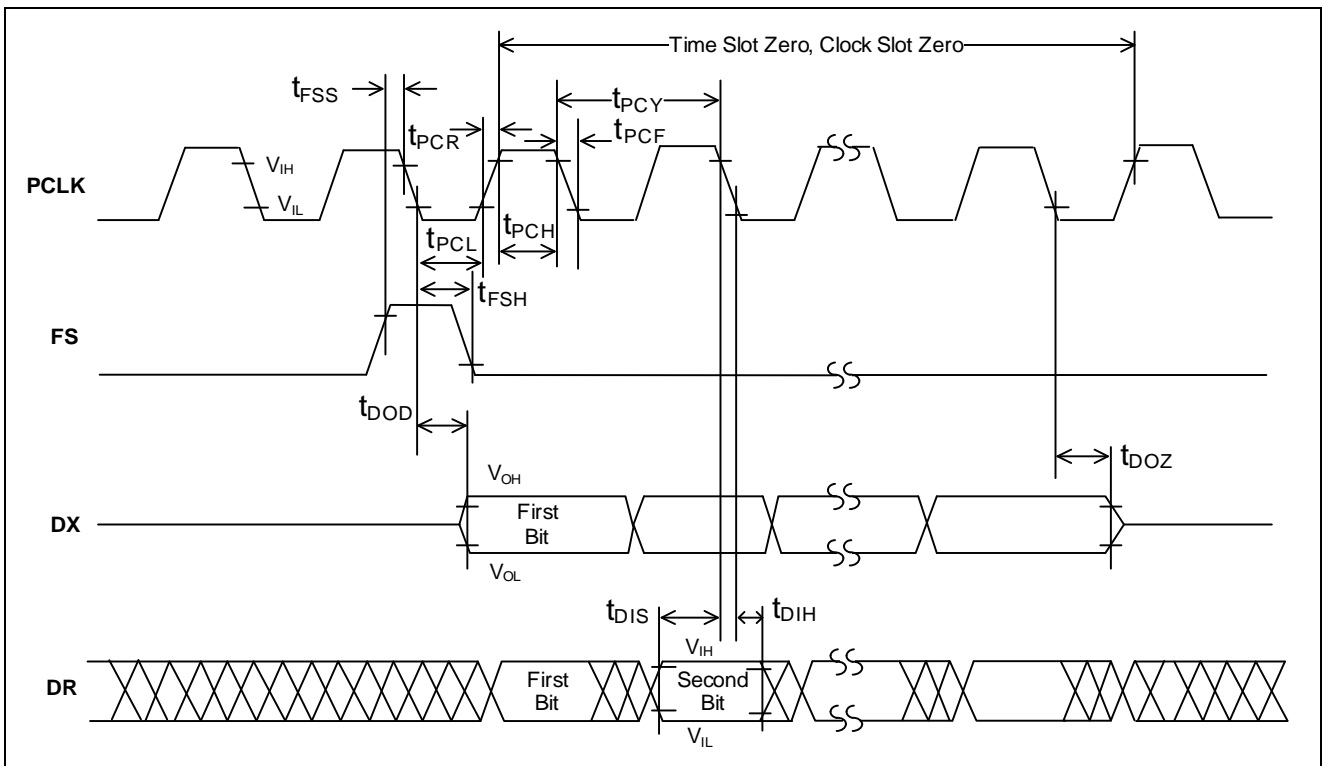


Figure 36 - PCM Timing, 8-bit with xeDX = 0 (Transmit on Negative PCLK Edge)

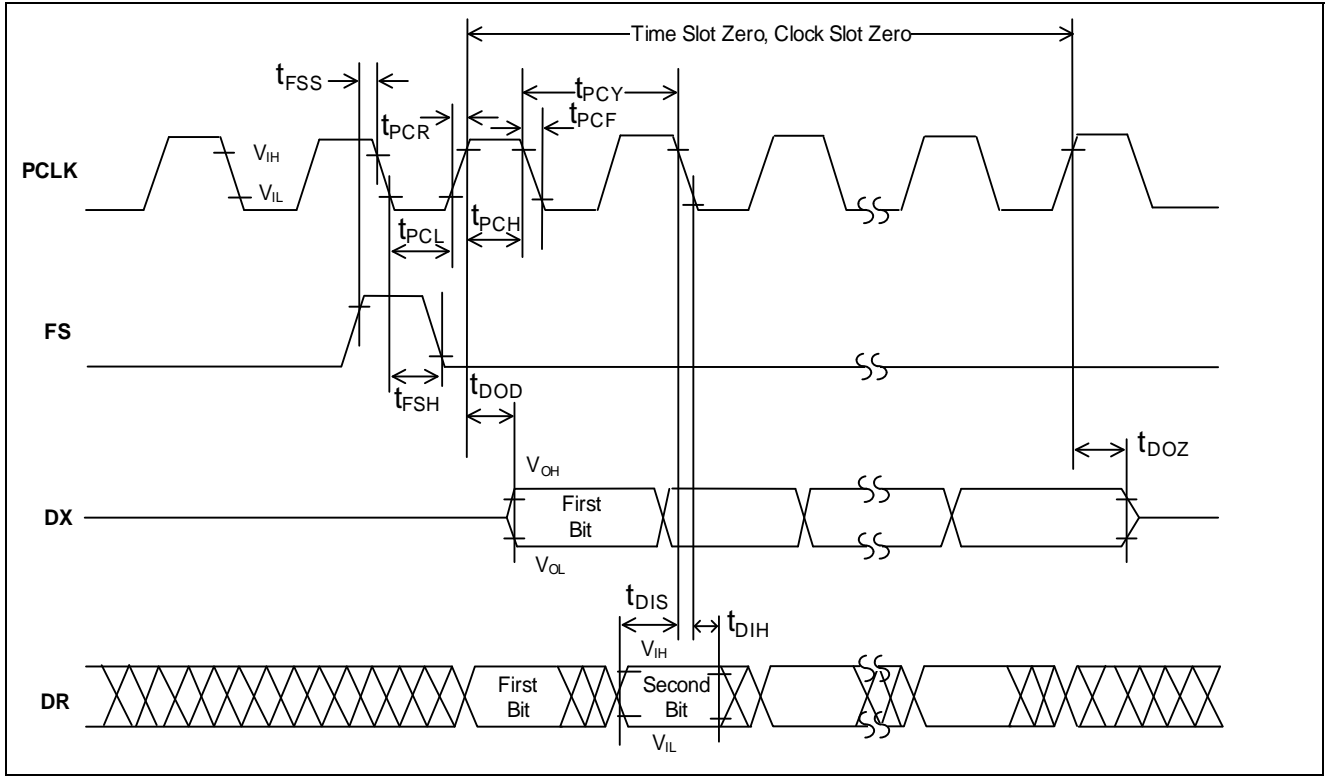


Figure 37 - PCM Timing, 8-bit with xeDX = 1 (Transmit on Positive PCLK Edge)

## 10.1.2 I<sup>2</sup>S Timing Parameters

### 10.1.2.1 I<sup>2</sup>S Slave

Specifications for I<sup>2</sup>S Slave timing are presented in the following table. The specifications apply to both port A and port B. A timing diagram for the I<sup>2</sup>S Slave timing parameters is illustrated in [Figure 38](#).

Parameter	Symbol	Min.	Typ.	Max.	Units	Notes / Conditions
I2S_SCK Clock Period $f_s = 48 \text{ kHz}$ $f_s = 8 \text{ kHz}$	$t_{ISSCP}$		651.04 3.91		ns $\mu\text{s}$	
I2S_SCK Pulse Width High $f_s = 48 \text{ kHz}$ $f_s = 8 \text{ kHz}$	$t_{ISSCH}$	292.97 1.76		358.07 2.15	ns $\mu\text{s}$	
I2S_SCK Pulse Width Low $f_s = 48 \text{ kHz}$ $f_s = 8 \text{ kHz}$	$t_{ISSCL}$	292.97 1.76		358.07 2.15	ns $\mu\text{s}$	
I2S_SDI Setup Time	$t_{ISDS}$	5			ns	
I2S_WS Setup Time	$t_{ISDS}$	5			ns	
I2S_SDI Hold Time	$t_{ISDH}$	0			ns	
I2S_WS Hold Time	$t_{ISDH}$	0.5			ns	
I2S_SCK Falling Edge to I2S_SDO Valid	$t_{ISOD}$	2		15	ns	$C_{LOAD} = 40 \text{ pF}$

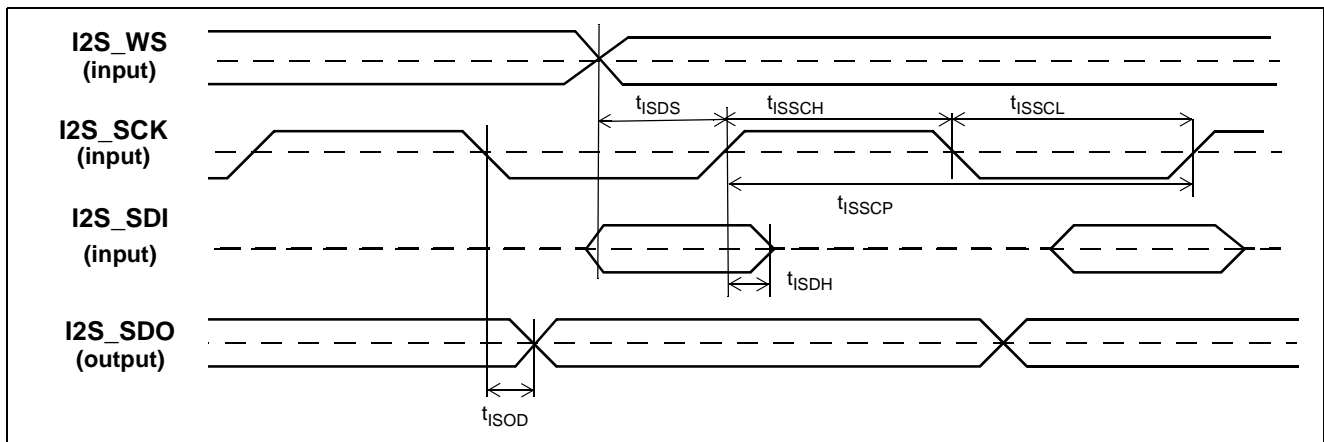


Figure 38 - Slave I<sup>2</sup>S Timing

### 10.1.2.2 I<sup>2</sup>S Master

Specifications for I<sup>2</sup>S Slave timing are presented in the following table. The specifications apply to both port A and port B. A timing diagram for the I<sup>2</sup>S Master timing parameters is illustrated in [Figure 39](#).

Parameter	Symbol	Min.	Typ.	Max.	Units	Notes/Conditions
I2S_SCK Clock Period $f_s = 48 \text{ kHz}$ $f_s = 8 \text{ kHz}$	$t_{IMSCP}$		651.04 3.91		ns $\mu\text{s}$	
I2S_SCK Pulse Width High $f_s = 48 \text{ kHz}$ $f_s = 8 \text{ kHz}$	$t_{IMSCH}$	318.0 1.95		333.0 1.96	ns $\mu\text{s}$	
I2S_SCK Pulse Width Low $f_s = 48 \text{ kHz}$ $f_s = 8 \text{ kHz}$	$t_{IMSCL}$	318.0 1.95		333.0 1.96	ns $\mu\text{s}$	
I2S_SDI Setup Time	$t_{IMDS}$	5			ns	
I2S_SDI Hold Time	$t_{IMDH}$	0			ns	
I2S_SCK Falling Edge to I2S_WS	$t_{IMOD}$	2		15	ns	$C_{LOAD} = 40 \text{ pF}$
I2S_SCK Falling Edge to I2S_SDO Valid	$t_{IMOD}$	2		15	ns	$C_{LOAD} = 40 \text{ pF}$

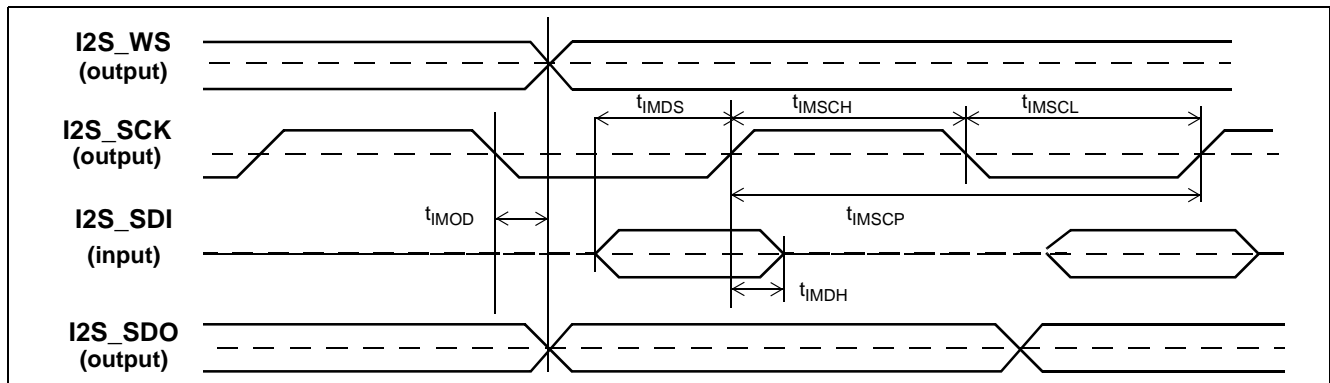


Figure 39 - Master I<sup>2</sup>S Timing

## 10.2 Host Bus Interface Timing Parameters

The HBI is the main communication port from the host processor to the ZL38060, this port can read and write all of the memory and registers on the ZL38060. The port can be configured as SPI Slave or I<sup>2</sup>C Slave.

For fastest command and control operation, use the SPI Slave configuration. The SPI Slave can be operated with HCLK speeds up to 25 MHz; the I<sup>2</sup>C Slave will operate with HCLK speeds up to 400 kHz.

### 10.2.1 SPI Slave Port Timing Parameters

The following table describes timing specific to the ZL38060 device. A timing diagram for the SPI Slave timing parameters is illustrated in [Figure 40](#).

For seamless control operation, both the SPI Slave timing and the system timing need to be considered when operating the SPI Slave at high speeds. System timing includes host set-up and delay times and board delay times.

Parameter	Symbol	Min.	Typ.	Max.	Units	Notes / Conditions
HCLK Clock Period	$t_{SSCP}$	40			ns	
HCLK Pulse Width High	$t_{SSCH}$	16	$t_{SSCP}/2$			1
HCLK Pulse Width Low	$t_{SSCL}$	16	$t_{SSCP}/2$			1
HDIN Setup Time	$t_{SSDS}$	5				
HDIN Hold Time	$t_{SSDH}$	0				
$\overline{HCS}$ Asserted to HCLK Rising Edge: Write Read if host samples on falling edge Read if host samples on rising edge	$t_{SHCSC}$	5 5 $t_{SSFD} + \text{host HDOUT setup time to HCLK}$	$t_{SSCP}/2$ $t_{SSCP}/2$ $t_{SSFD} + t_{SSCP}/2$			
HCLK Driving Edge to HDOUT Valid	$t_{SSOD}$	2		15		$C_{LOAD} = 40 \text{ pF}$
$\overline{HCS}$ Falling Edge to HDOUT Valid	$t_{SSFD}$	0		15		2, $C_{LOAD} = 40 \text{ pF}$
$\overline{HCS}$ De-asserted to HDOUT Tristate	$t_{SSOZ}$	0		10		5, $C_{LOAD} = 40 \text{ pF}$
$\overline{HCS}$ Pulse High	$t_{SHCSH}$	20	$t_{SSCP}/2$			3
$\overline{HCS}$ Pulse Low	$t_{SHCSL}$				1, 3, 4	

Note 1: HCLK may be stopped in the high or low state indefinitely without loss of information. When  $\overline{HCS}$  is at low state, every 16 HCLK cycles, the 16-bit received data will be interpreted by the SPI interface logic.

Note 2: The first data bit is enabled on the falling edge of  $\overline{HCS}$  or on the falling edge of HCLK, whichever occurs last.

Note 3: In the command framing mode, there is no  $\overline{HCS}$  off time between each 16-bit command/data, and  $\overline{HCS}$  is held low until the end of command.  $\overline{HCS}$  can be driven low and high with no HCLK to reset the HBI command state machine; in this situation, the minimum  $\overline{HCS}$  low and high time should be 61 ns.

Note 4: If  $\overline{HCS}$  is not held low for 8 or 16 HCLK cycles exactly, the SPI Slave will reset. During byte or word framing mode,  $\overline{HCS}$  is held low for the whole duration of the command. Multiple commands can be transferred with  $\overline{HCS}$  low for the whole duration of the multiple commands. The rising edge of the HCS indicates the end of the command sequence and resets the SPI Slave.

Note 5: Guaranteed by design, not tested in production.



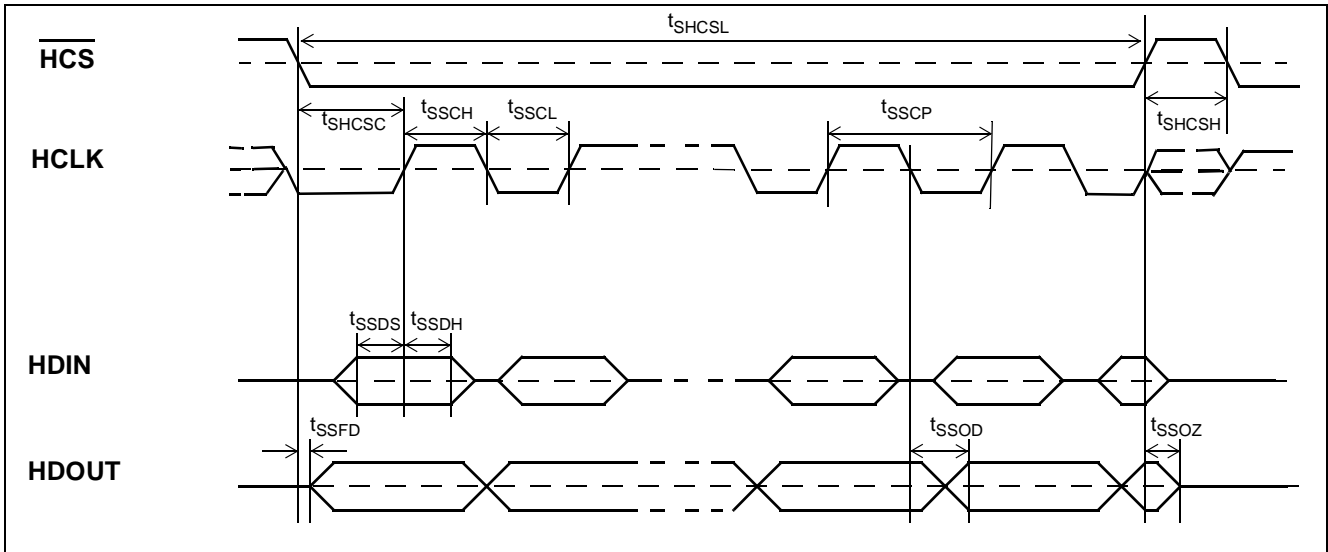


Figure 40 - SPI Slave Timing

### 10.2.2 I<sup>2</sup>C Slave Interface Timing Parameters

The I<sup>2</sup>C interface uses the SPI Slave interface pins.

Specifications for I<sup>2</sup>C interface timing are presented in the following table. A timing diagram for the I<sup>2</sup>C timing parameters is illustrated in [Figure 41](#).

Parameter	Symbol	Min.	Typ.	Max.	Units	Notes / Conditions
SCLK Clock Frequency	$f_{SCL}$	0		400	kHz	
START Condition Hold Time	$t_{STARTH}$	0.6			$\mu$ s	
SDA data setup time	$t_{SDAS}$	100			ns	
SDA Hold Time Input	$t_{SDAH}$	100			ns	
SDA Hold Time Output	$t_{SDAH}$	300			ns	
High period of SCLK	$t_{SCLH}$	0.6			$\mu$ s	
Low period of SCLK	$t_{SCLL}$	1.3			$\mu$ s	
STOP Condition Setup Time	$t_{STOPS}$	0.6			$\mu$ s	
Repeated Start Condition Setup Time	$t_{STARTS}$	0.6			$\mu$ s	
Pulse Width Spike Suppression, glitches ignored by input filter	$t_{SP}$	50			ns	

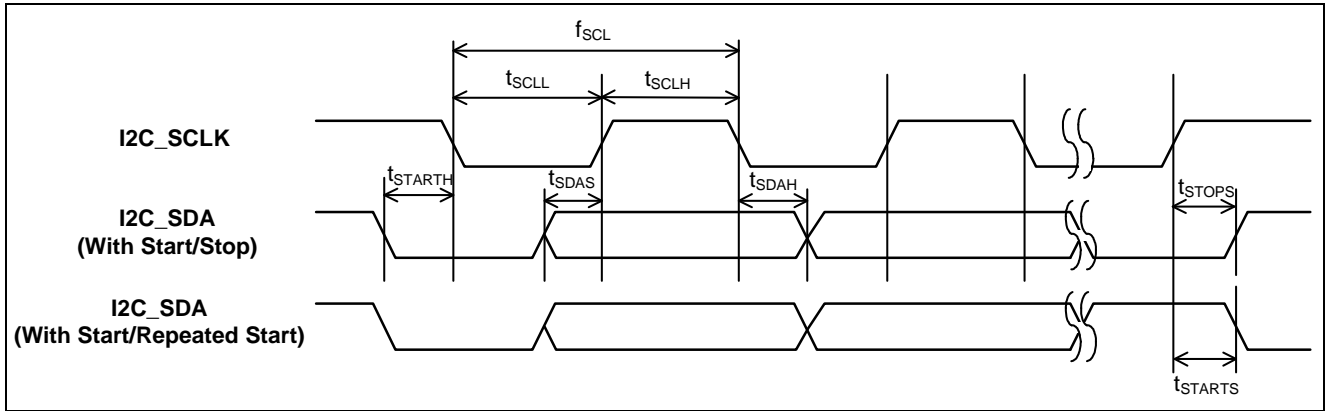


Figure 41 - I<sup>2</sup>C Timing Parameter Definitions

### 10.3 UART Timing Parameters

Specifications for UART timing are presented in the following table. Timing diagrams for the UART timing parameters are illustrated in [Figure 42](#) and [Figure 43](#).

Parameter	Symbol	Min.	Typ.	Max.	Units	Notes / Conditions
UART_RX and UART_TX bit width Baud rate = 115.2 kbps	$t_{UP}$		8.68		$\mu s$	
Allowed baud rate deviation 8 bits with no parity				4.86	%	Guaranteed by design, not tested in production.

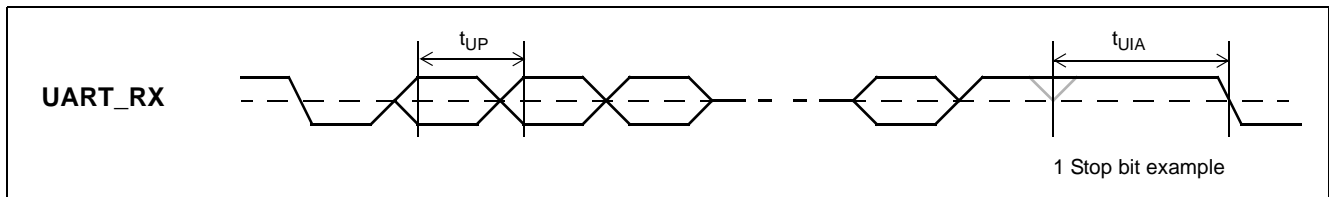


Figure 42 - UART\_RX Timing

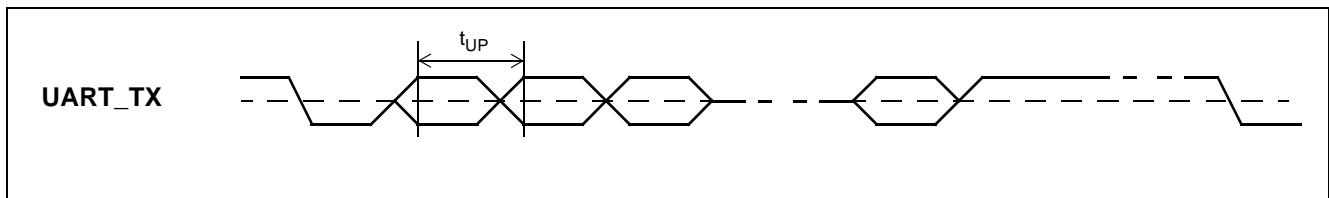


Figure 43 - UART\_TX Timing

### 10.4 Master SPI Timing Parameters

Specifications for Master SPI timing are presented in the following table. A timing diagram for the Master SPI timing parameters is illustrated in [Figure 44](#).

Parameter	Symbol	Min.	Typ.	Max.	Units	Notes/Conditions
SM_CLK Clock Period	$t_{MSCP}$	40		320	ns	Max. 25.0 MHz
SM_CLK Pulse Width High	$t_{MSCH}$	$(t_{MSCP}/2) - 2$		160		
SM_CLK Pulse Width Low	$t_{MSCL}$	$(t_{MSCP}/2) - 2$		160		
SM_MISO Setup Time	$t_{MSDS}$	3				
SM_MISO Hold Time	$t_{MSDHD}$	0				
SM_CS Asserted to SM_CLK Sampling Edge	$t_{MSCC}$	$(t_{MSCP}/2) - 4$				
SM_CLK Driving Edge to SM_MOSI Valid	$t_{MSOD}$	-1		2		$C_{LOAD} = 40 \text{ pF}$
SM_MOSI Setup to SM_CLK Sampling Edge	$t_{MSOS}$	$(t_{MSCP}/2) - 4$				$C_{LOAD} = 40 \text{ pF}$
SM_MOSI Hold Time to SM_CLK Sampling Edge	$t_{MSOHD}$	$(t_{MSCP}/2) - 4$				$C_{LOAD} = 40 \text{ pF}$
SM_CS Hold Time after last SM_CLK Sampling Edge	$t_{MSCSHD}$	$(t_{MSCP}/2) - 4$				
SM_CS Pulse High	$t_{MSCSH}$	$(t_{MSCP}/2) - 2$				

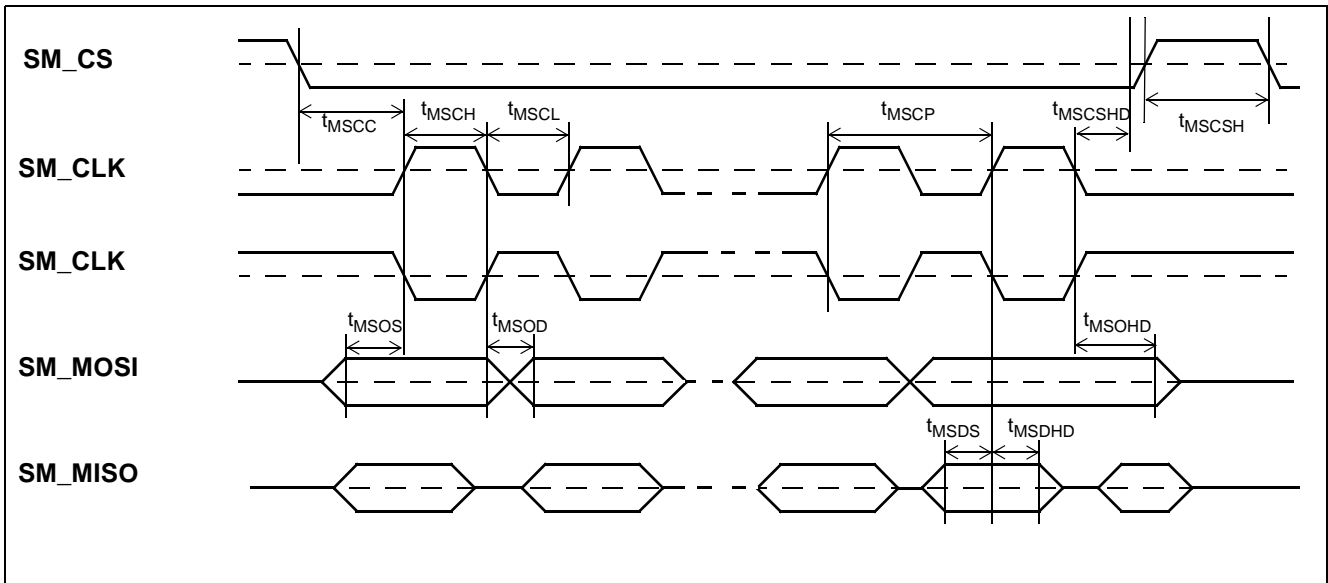


Figure 44 - Master SPI Timing

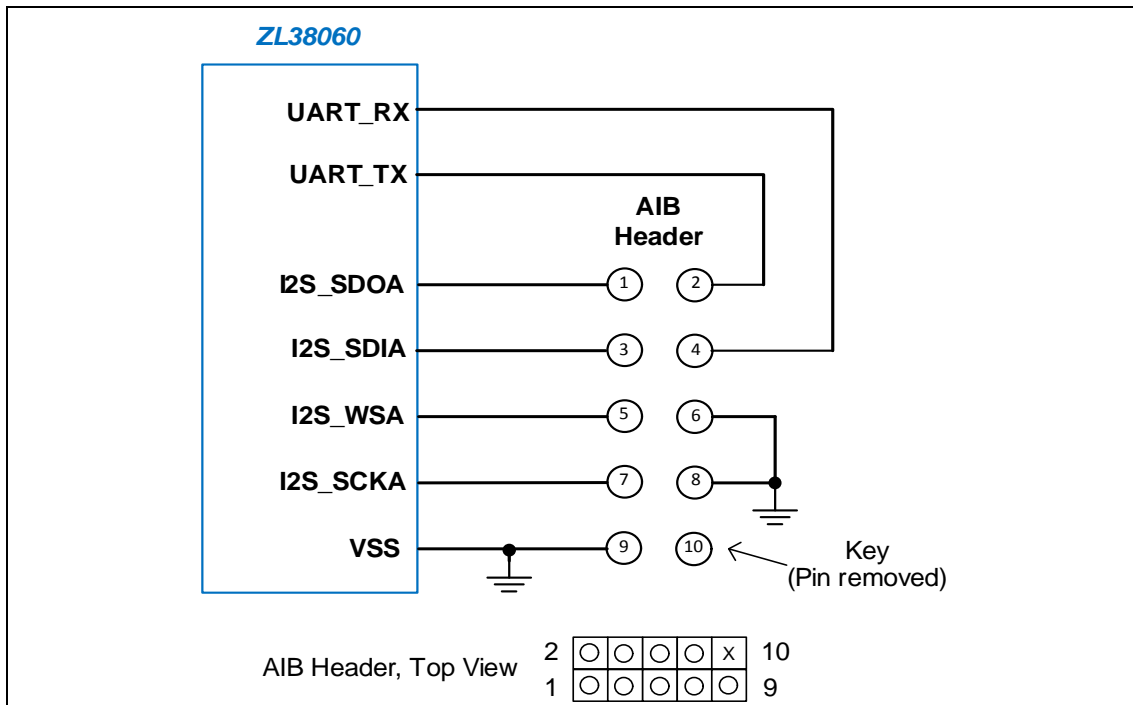
## 11.0 AEC Tuning

To optimize the acoustic properties of a given system design, the Audio Processor firmware requires gain and level tuning. The mechanical design, including the speaker and microphone quality and placement, will all affect the system's acoustic performance. Microsemi has developed *MiTuner™* GUI Software (ZLS38508) and the Microsemi Audio Interface Box (AIB) Evaluation Kit (ZLE38470BADA) to automatically optimize the firmware's tunable parameters for a given hardware design, facilitating the system design process and eliminating the need for tedious manual tuning. In order to achieve a high level of acoustic performance for a given enclosure, the *MiTuner* GUI Software performs both Auto Tuning and Subjective Tuning.

Access to the UART and TDM port of the ZL38060 need to be provided on the system board in order to perform Auto Tuning or Subjective Tuning with the ZLS38508 software. [Figure 45](#) shows the nodes that need to be made available and illustrates an AIB Header that when mounted, will provide a direct connection to the Audio Interface Box cable (no soldering or jumpers required). TDM port A is shown, but port B can be used instead. The header only needs to be populated on the system board(s) that are used for tuning evaluation.

*Note: Any connections to a host processor need to be isolated from the UART and I<sup>2</sup>S ports during the tuning process. If a host processor is connected to these ports, a resistor should be placed between the host and each ZL38060 port signal, so that the resistor can be removed to isolate the host from the ZL38060 without interfering with the ZL38060's connection to the AIB.*

To interface between the header and the AIB, a 10-wire ribbon cable is used. The cable is terminated on both ends with a double row, 5 position, 100 mil (2.54 mm) female socket strip. Pin 10 on each socket is keyed to ensure proper signal connection. On the system board header pin 10 must be removed, or alternatively both pins 9 and 10 can be eliminated to reduce the space needed on the system board. Signal integrity series termination resistors are provided for the interface in the AIB.

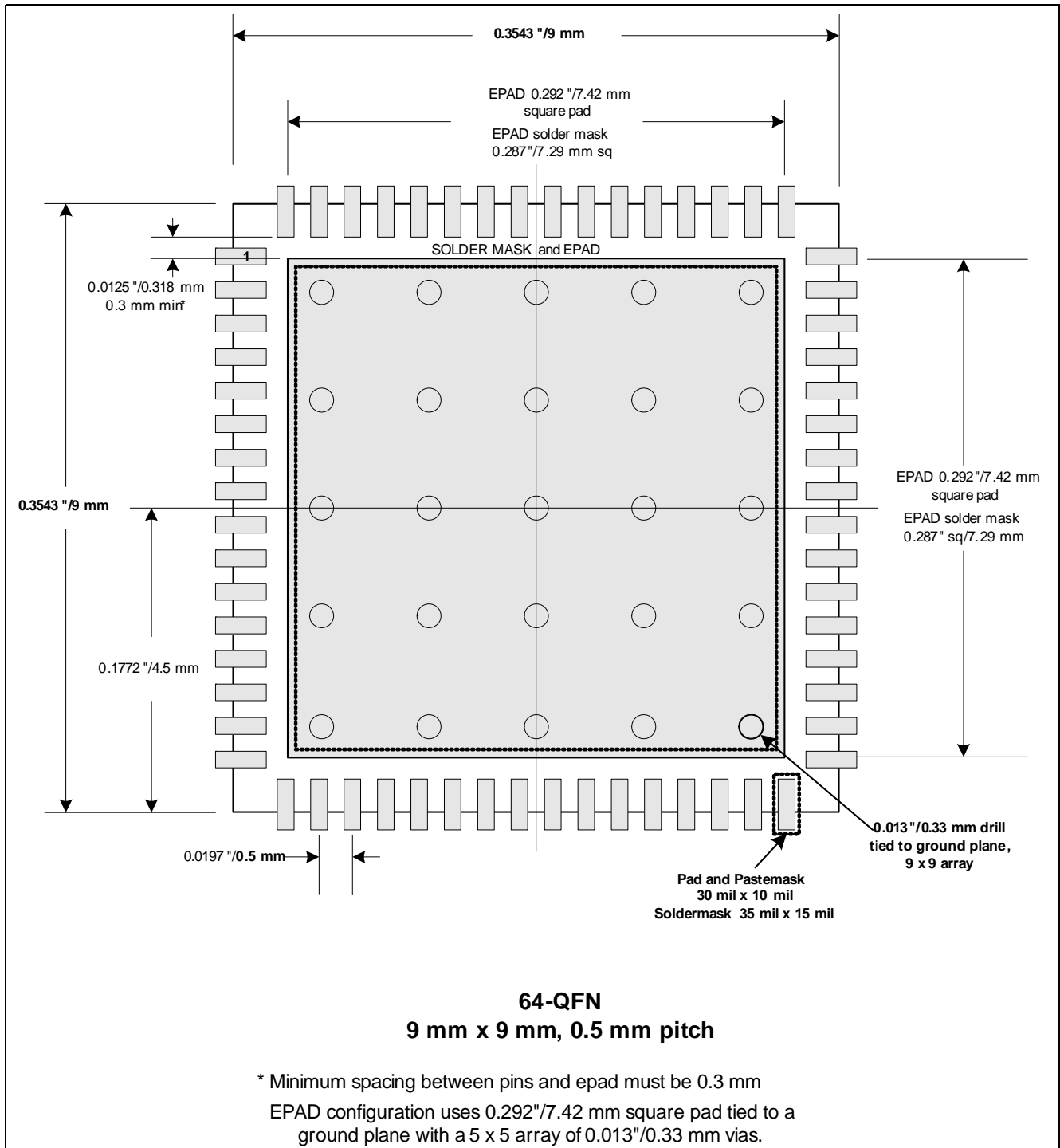


**Figure 45 - AIB System Board Connection**

*Note: A Samtec TSW-105-07-L-D through-hole terminal strip, or a Samtec TSM-105-01-L-DV surface mount terminal strip, or a suitable equivalent can be used for the AIB Header. The header is a double row, 5 position, 10-pin male 100 mil (2.54 mm) unshrouded terminal strip with 25 mil (0.64 mm) square vertical posts that are 230 mils (5.84 mm) in length.*

## 12.0 Package Outline

The recommended land pattern for the ZL38060 device and the package outline are described in this section.



**Figure 46 - Recommended Land Pattern (64-Pin QFN) – Top View**

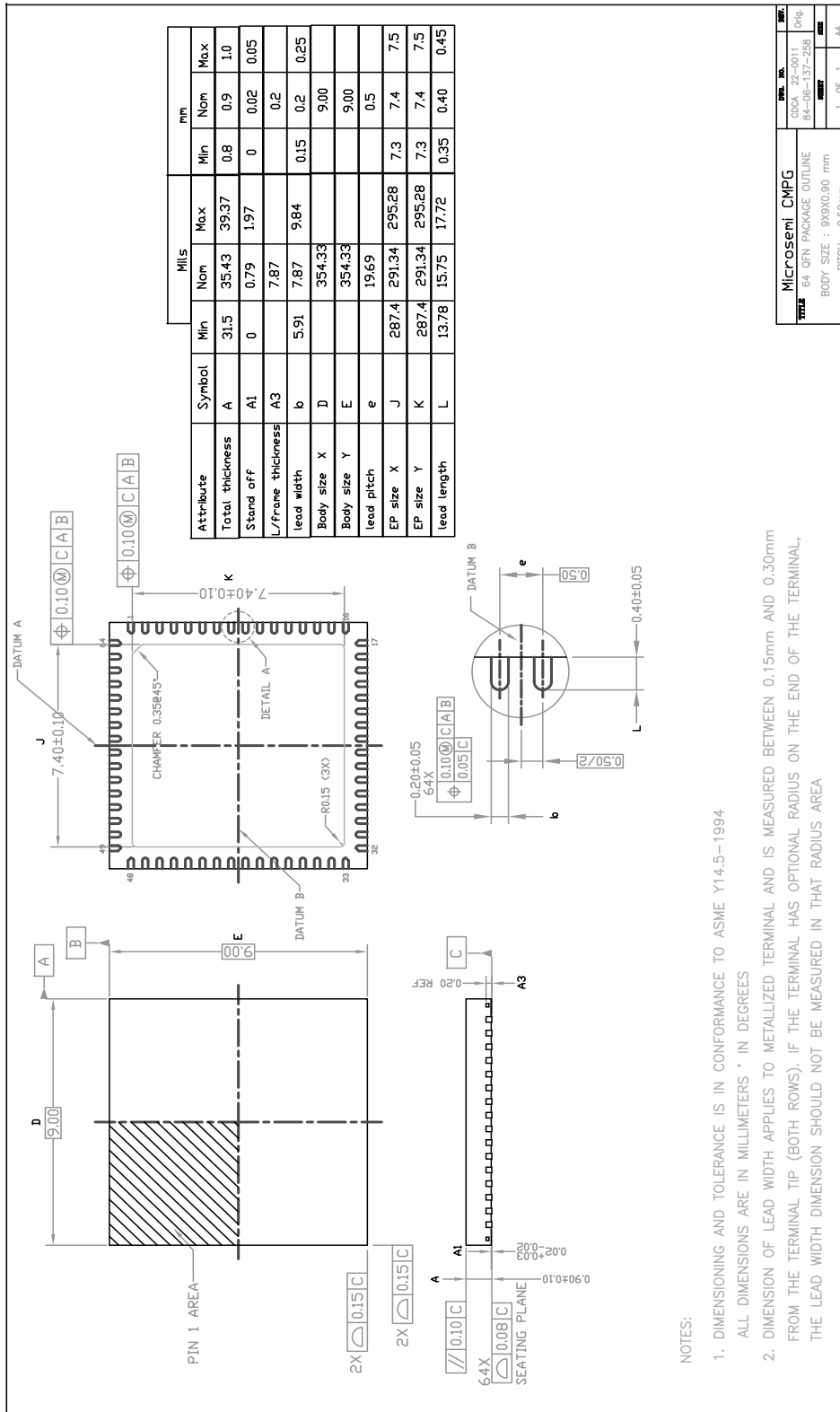


Figure 47 - ZL38060 (64-Pin QFN) Package Drawing

## 13.0 Revision History

The following table lists substantive changes that were made to this Preliminary Data Sheet revision.

Changes	Pages
Removed the UART as a boot option from "ZL38060 Hardware Features", <a href="#">1.0, "ZL38060 Device Overview"</a> and <a href="#">3.3.3, "UART"</a> .	<a href="#">2</a> , <a href="#">7</a> , <a href="#">23</a>
Integrated application sections into block descriptions.	<a href="#">7</a> - <a href="#">32</a>
<a href="#">3.1, "TDM Interface"</a> section rewritten, new timing limitations added to <a href="#">Table</a> .	<a href="#">14</a>
<a href="#">Figure 11</a> - <a href="#">Figure 16</a> TDM timing diagrams enhanced.	<a href="#">17</a> , <a href="#">18</a> , <a href="#">19</a>
<a href="#">Figure 17</a> - <a href="#">Figure 22</a> SPI Slave timing diagrams added.	<a href="#">21</a> , <a href="#">22</a>
<a href="#">3.2, "Cross Point Switch"</a> discussion and diagram removed, refer to the <i>Microsemi AcuEdge™ Technology ZLS38060 Firmware Manual</i> for this information.	<a href="#">19</a>
External Host Interrupt Event table removed from <a href="#">3.3.4, "Host Interrupt Pin"</a> . Refer to the <i>Microsemi AcuEdge™ Technology ZLS38060 Firmware Manual</i> for this information.	<a href="#">23</a>
Added <a href="#">3.4.1, "Flash Interface"</a> section.	<a href="#">24</a>
Added <a href="#">6.3.1, "Boot Speed"</a> section.	<a href="#">34</a>
Added pull-down resistor on PCLKA/I2S_SCKA pin in <a href="#">Table 11</a> and in <a href="#">Figure 31</a> , <a href="#">Figure 32</a> and <a href="#">Figure 33</a>	<a href="#">37</a> , <a href="#">48</a> , <a href="#">49</a>
Changed SPI Master maximum frequency from 25 MHz to 8 MHz in <a href="#">Table 13</a> .	<a href="#">39</a>
Added package <a href="#">9.2, "Thermal Resistance"</a> section.	<a href="#">42</a>
Added <a href="#">9.4, "Device Operating Modes"</a> section.	<a href="#">43</a>
Power consumption changed to <a href="#">9.4.6, "Current Consumption"</a> .	<a href="#">44</a>
<a href="#">9.6.2, "DAC"</a> specifications, descriptions, and notes overhauled, THD graphs added.	<a href="#">46</a>
<a href="#">9.7.4, "AC Specifications - External Clocking Requirements"</a> section modified.	<a href="#">50</a>
Removed clocking frequency selection from <a href="#">10.1.1, "GCI and PCM Timing Parameters"</a> note 1. Refer to the <i>Microsemi AcuEdge™ Technology ZLS38060 Firmware Manual</i> for this information.	<a href="#">51</a>
Added to "HCS Asserted to HCLK" specification in <a href="#">10.2.1, "SPI Slave Port Timing Parameters"</a> . Clarified Note 3.	<a href="#">56</a>
Removed 9600 baud rate from <a href="#">10.3, "UART Timing Parameters"</a> .	<a href="#">58</a>
<a href="#">Figure 46</a> -, " <a href="#">Recommended Land Pattern (64-Pin QFN) - Top View</a> " modified.	<a href="#">61</a>

**Table 19 - List of Changes to the Preliminary Data Sheet**

Information relating to products and services furnished herein by Microsemi Corporation or its subsidiaries (collectively "Microsemi") is believed to be reliable. However, Microsemi assumes no liability for errors that may appear in this publication, or for liability otherwise arising from the application or use of any such information, product or service or for any infringement of patents or other intellectual property rights owned by third parties which may result from such application or use. Neither the supply of such information or purchase of product or service conveys any license, either express or implied, under patents or other intellectual property rights owned by Microsemi or licensed from third parties by Microsemi, whatsoever. Purchasers of products are also hereby notified that the use of product in certain ways or in combination with Microsemi, or non-Microsemi furnished goods or services may infringe patents or other intellectual property rights owned by Microsemi.

This publication is issued to provide information only and (unless agreed by Microsemi in writing) may not be used, applied or reproduced for any purpose nor form part of any order or contract nor to be regarded as a representation relating to the products or services concerned. The products, their specifications, services and other information appearing in this publication are subject to change by Microsemi without notice. No warranty or guarantee express or implied is made regarding the capability, performance or suitability of any product or service. Information concerning possible methods of use is provided as a guide only and does not constitute any guarantee that such methods of use will be satisfactory in a specific piece of equipment. It is the user's responsibility to fully determine the performance and suitability of any equipment using such information and to ensure that any publication or data used is up to date and has not been superseded. Manufacturing does not necessarily include testing of all functions or parameters. These products are not suitable for use in any medical and other products whose failure to perform may result in significant injury or death to the user. All products and materials are sold and services provided subject to Microsemi's conditions of sale which are available on request.

**For more information about all Microsemi products  
visit our website at  
[www.microsemi.com](http://www.microsemi.com)**

TECHNICAL DOCUMENTATION – NOT FOR RESALE



**Microsemi Corporate Headquarters**  
One Enterprise, Aliso Viejo CA 92656 USA  
Within the USA: +1 (949) 380-6100  
Sales: +1 (949) 380-6136  
Fax: +1 (949) 215-4996

Microsemi Corporation (NASDAQ: MSCC) offers a comprehensive portfolio of semiconductor solutions for: aerospace, defense and security; enterprise and communications; and industrial and alternative energy markets. Products include mixed-signal ICs, SoCs, and ASICs; programmable logic solutions; power management products; timing and voice processing devices; RF solutions; discrete components; and systems. Microsemi is headquartered in Aliso Viejo, Calif. Learn more at [www.microsemi.com](http://www.microsemi.com).

© 2015 Microsemi Corporation. All rights reserved. Microsemi and the Microsemi logo are trademarks of Microsemi Corporation. All other trademarks and service marks are the property of their respective owners.



# Mouser Electronics

Authorized Distributor

Click to View Pricing, Inventory, Delivery & Lifecycle Information:

[Microchip:](#)

[ZL38060LDG1](#)