



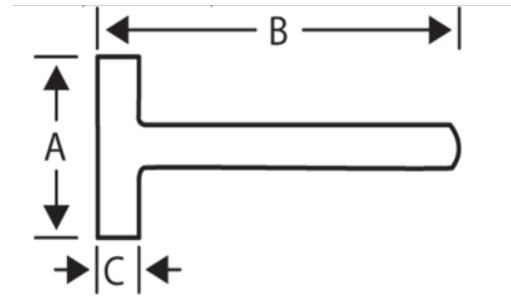
484

Club Hammers with Hickory Handle



PRODUCT DETAILS



- With convex (domed) striking faces
- High-quality tool designed for professionals
- First class, straight-grained genuine hickory handle ensures easy and safe operation
- Especially hardened and heat treated to withstand the highest impact heavy applications
- Standards: DIN 6475, GS certification



Follow the Fish!



PRODUCT ATTRIBUTES

Product		A	B	C	
484-1000	1000 g	94 mm	260 mm	39 mm	1110 g
484-1250	1250 g	99 mm	260 mm	42 mm	1380 g
484-1500	1500 g	110 mm	280 mm	44 mm	1610 g
484-2000	2000 g	120 mm	300 mm	49 mm	2090 g

