

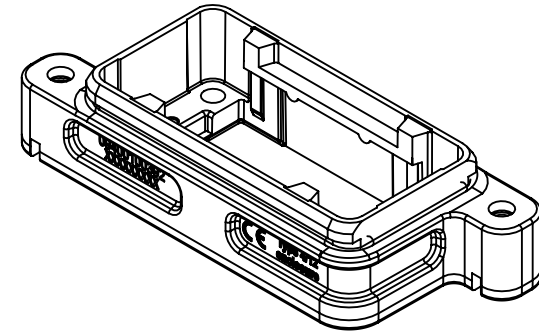
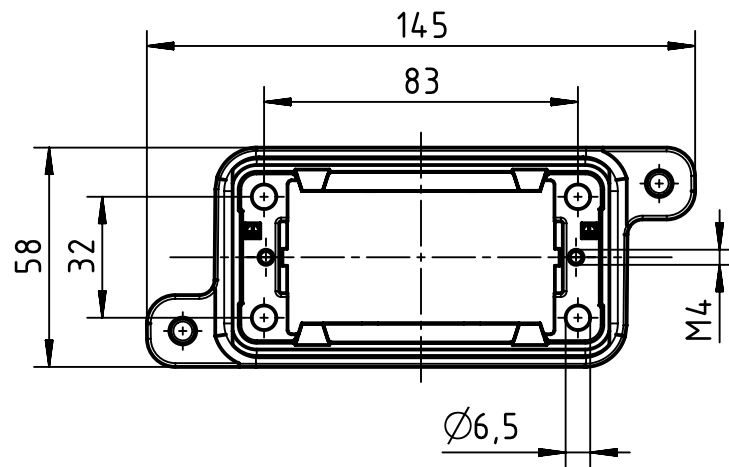
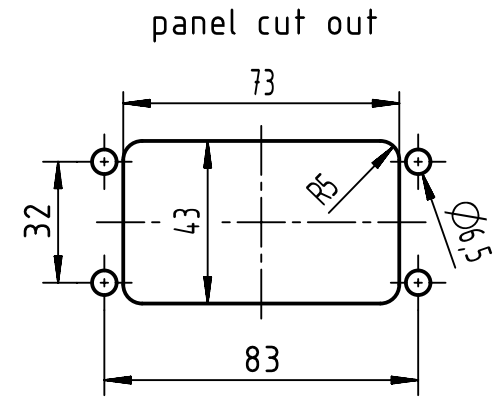
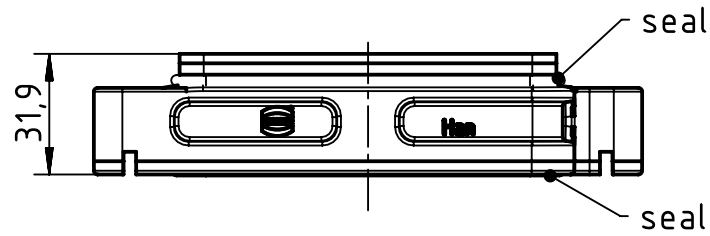
1 2 3 4 5 6


A

B

C

D



| | | | | | |
|---|--|--|-------------------------|-----------------------------|--|
|  | All rights reserved Department EL PD HARTING Electric GmbH & Co. KG D-32339 Espelkamp | All Dimensions in mm Original Size DIN A4 | Scale 1:2 | Free size tol. | Ref. Sub. |
| | | Created by YUA | Inspected by WANGSTE | Standardisation TIEMANNA | Date 2020-09-21 |
| Title Han® 10 HPR HBM Rear-fit w/o frame | | | | | Doc-Key / ECM-Nr. 100830557/UGD/000/B 500000179819 |
| Type TB | | Number 09 40 010 0392 | | | Rev. B |
| | | | | | Page 1/1 |