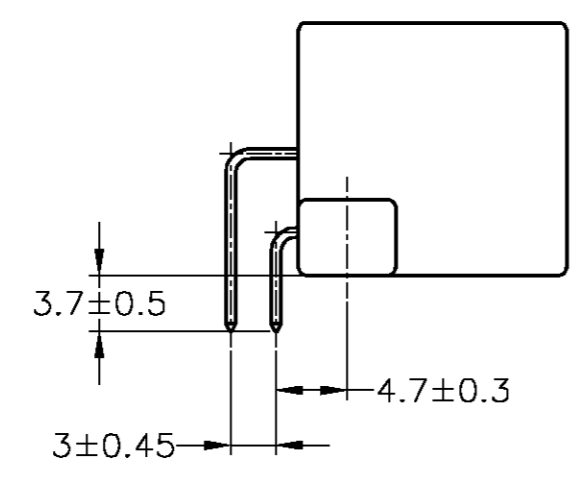
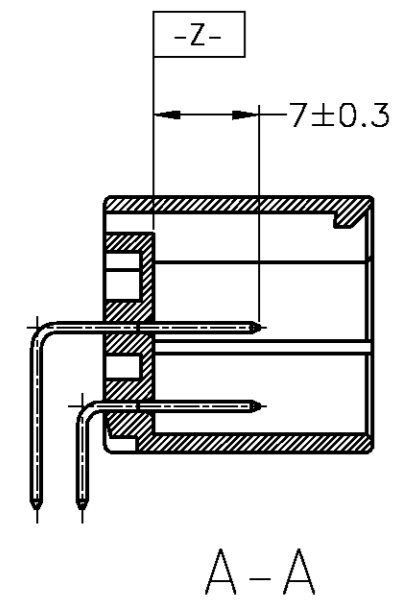
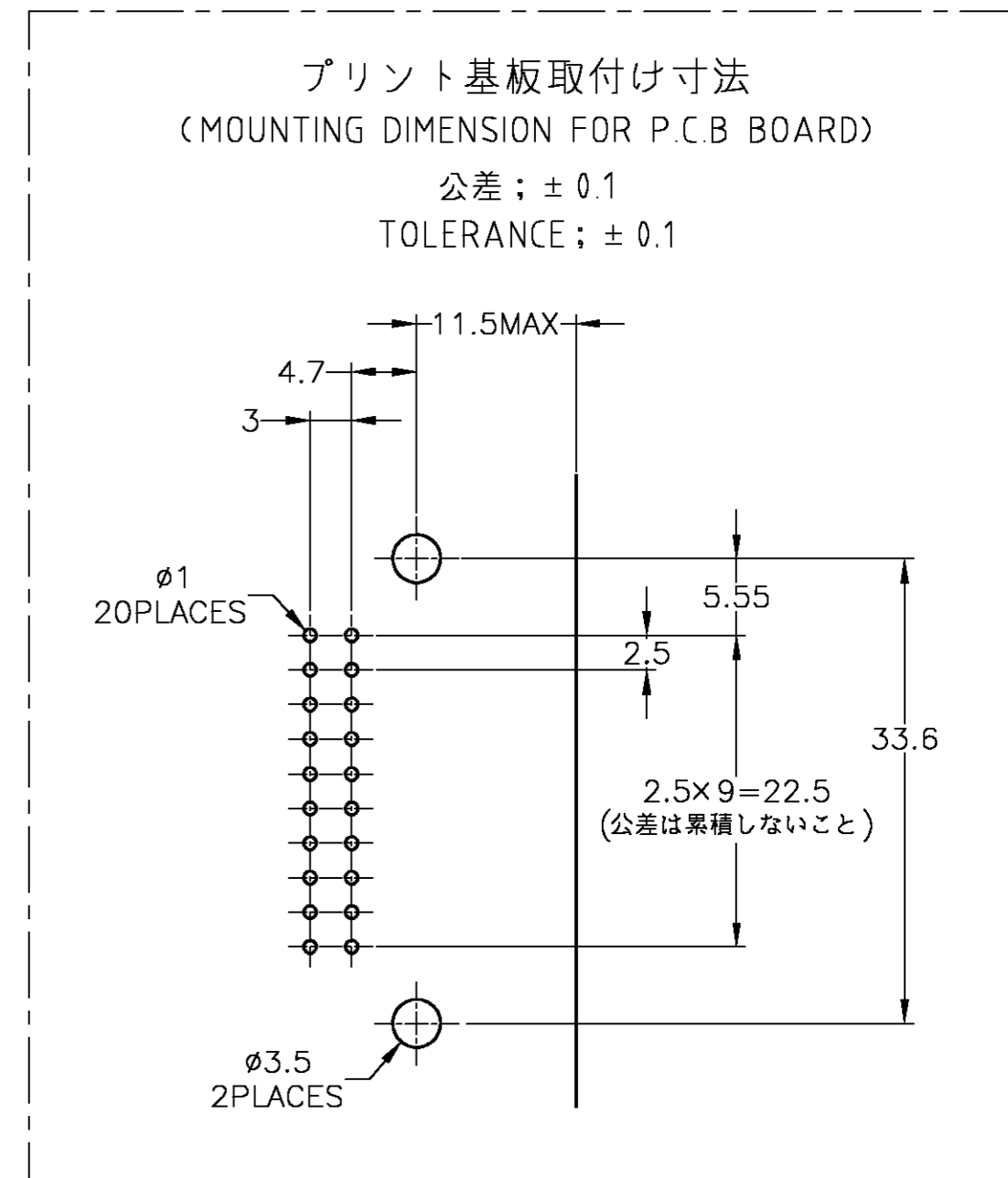
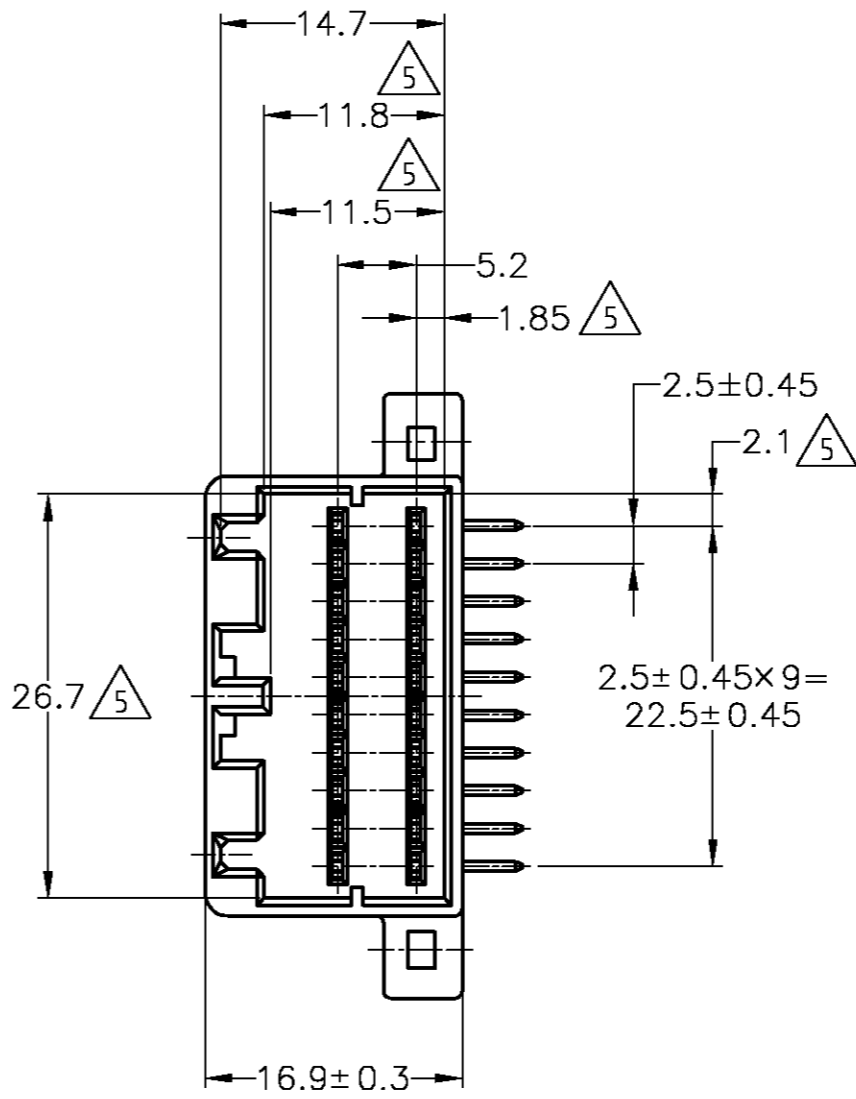
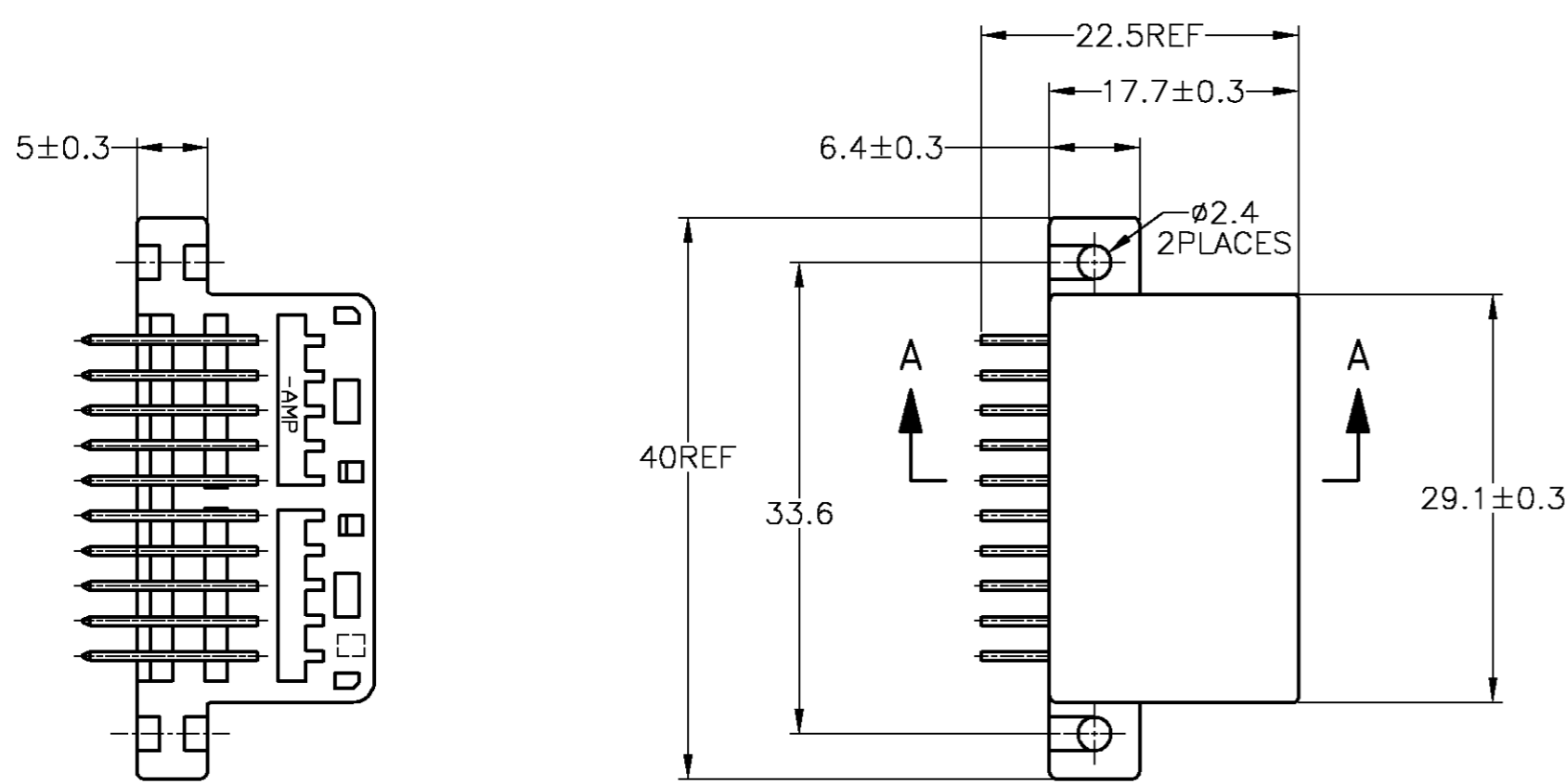


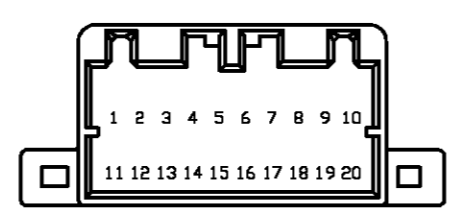
THIS DRAWING IS UNPUBLISHED. RELEASED FOR PUBLICATION
 © COPYRIGHT BY TYCO ELECTRONICS CORPORATION. ALL RIGHTS RESERVED.

LOC	DIST	REVISIONS						
		P	LTR	DESCRIPTION	DATE	DWN	APVD	
J	-	G3	ADDED	1-5175975-2	ECR-08-005948	22APR08	TS	KB



- 適用プリント基板厚：1.6mm
- 推奨取付ネジ：JIS B1115, B1122 タッピングネジ。
ナベ2種呼び径3、長さ6mm以上。(締付トルク39.2N-cm以下)
- 嵌合相手ハウジング型番：175967
- 適用製品規格番号：108-5281
- [-Z-] 面より2mmの範囲で測定
- 回路番号：FIG.1参照
- 回路番号1,2,5,12,15：タブなし

- APPLICABLE P.C.B BOARD THICKNESS ; 1.6mm
- RECOMMENDED MOUNTING SCREW 3mm DIA. 6mm LENGTH (MIN.)
TAPPING SCREW SPECIFIED IN JIS B1115, B1122
(TIGHTENING TORQUE ; 39.2N-cm MAX.)
- THE MATING PLUG HOUSING PART NUMBER ; 175967
- APPLICABLE PRODUCT SPEC. No. ; 108-5281
- TO BE MEASURED WITHIN 2mm FROM [-Z-]
- CIRCUIT NUMBER ; SEE FIG.1
- CIRCUIT NUMBER 1,2,5,12,15 ; NON TAB



△6 FIG.1

CONTACT FINISH	CONTACT SIDE	SIZE	COLOR	PART NUMBER
SELECTIVE-TIN (MATTE)	SELECTIVE GOLD	1~20	BLACK	1-5175975-2
SELECTIVE-TIN	PRE-TIN	-	BLACK	9-175975-2
△7 PRE-TIN × 15		-	BLACK	3-175975-2
PRE-TIN × 17		5, 6, 16	BLACK	2-175975-2
TIN-LEAD	SELECTIVE GOLD × 3			
TIN-LEAD	SELECTIVE GOLD	1~20	BLACK	1-175975-2
PRE-TIN		-	BLUE	175975-5
SELECTIVE-TIN (MATTE)	SELECTIVE-TIN (BRIGHT)	-	BLACK	175975-4
PRE-TIN		-	BLACK	175975-2
SOLDERING SIDE 半田付け部	CONTACT SIDE 接触部側	GOLD PLATED CIRCUIT NO 金めっき回路番号	COLOR 色	PART NUMBER 製品番号
CONTACT FINISH コンタクト仕上		△6		

THIS DRAWING IS A CONTROLLED DOCUMENT.

DWN	T.SHINOHARA	16DEC05
CHK	K.BETSUI	16DEC05
APVD	K.BETSUI	16DEC05

Tyco Electronics AMP K.K.
Kawasaki, Japan

040 SERIES MULTI-LOCK I/O CONNECTOR MK-II
20POSITION CAP HOUSING ASSEMBLY

NAME 名義
製品規格
製造規格
APPLICATION SPEC
取付適用規格

SEE NOTE 4

SIZE A2 CAGE CODE 00779 DRAWING NO. 175975

WEIGHT -

CUSTOMER DRAWING

SCALE 2:1 SHEET 1 OF 1 REV G3

一般公差	GENERAL TOLERANCED
10未満	±0.2
30未満	±0.25
100未満	±0.3
角度	±3°

DIMENSIONS	TOLERANCES UNLESS OTHERWISE SPECIFIED
単位：mm	一般公差
	0 PLC ±
	1 PLC ±
	2 PLC ±
	3 PLC ±
	4 PLC ±
	ANGLES ±
FINISH	仕上
材料	
ハウジング：PBT	
コンタクト：黄銅	