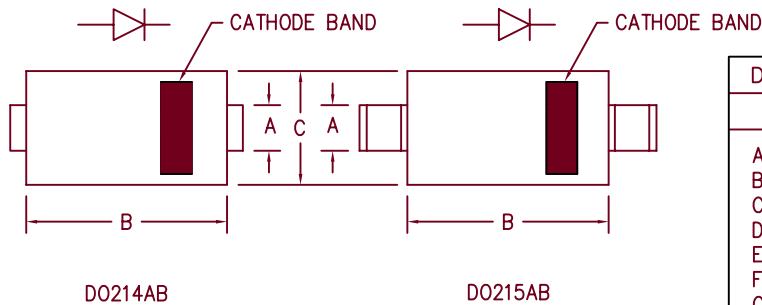


# 8 Amp Schottky Rectifier HSM880 — HSM8100



Dim.	Inches		Millimeter		Notes
	Minimum	Maximum	Minimum	Maximum	
A	.117	.123	2.97	3.12	
B	.260	.280	6.60	7.11	
C	.220	.245	5.59	6.22	
D	.307	.322	7.80	8.18	
E	.075	.095	1.91	2.41	
F	.380	.400	9.65	10.16	
G	.025	.040	.640	1.02	
H	.030	.060	.760	1.52	

Microsemi Catalog Number	Industry Part Number	Working Peak Reverse Voltage	Repetitive Peak Reverse Voltage
HSM880*	SK88L	80V	80V
HSM890*		90V	90V
HSM8100*	SK810L	100V	100V

\*Add Suffix J For J Lead or G For Gull Wing Lead Configuration

- Schottky Barrier Rectifier
- Guard Ring Protection
- 175°C Junction Temperature
- High Current Capability
- $V_{RRM}$  80 to 100 Volts
- Surface mount packages

Electrical Characteristics		
Average forward current	I <sub>F(AV)</sub> 8.0 Amps	Square wave
Maximum surge current	I <sub>F(AV)</sub> 300 Amps	8.3ms, half sine, T <sub>J</sub> = 175°C *
Max peak forward voltage	V <sub>FM</sub> .61 Volts	I <sub>FM</sub> = 8.0A: T <sub>J</sub> = 175°C *
Max peak forward voltage	V <sub>FM</sub> .78 Volts	I <sub>FM</sub> = 8.0A: T <sub>J</sub> = 25°C *
Max peak reverse current	I <sub>RM</sub> 500 μA	V <sub>RRM</sub> , T <sub>J</sub> = 25°C
Typical junction capacitance	C <sub>J</sub> 480pF	V <sub>R</sub> = 5.0V, T <sub>J</sub> = 25°C

\* Pulse test: Pulse width 300 μsec, Duty cycle 2%

Thermal and Mechanical Characteristics		
Storage temperature range	T <sub>STG</sub>	-55°C to 175°C
Operating junction temp range	T <sub>J</sub>	-55°C to 175°C
Maximum thermal resistance	R <sub>θJL</sub>	20°C/W Junction to lead
Weight		.008 ounces (.22 grams) typical



8700 East Thomas Road, P.O. Box 1390  
 Scottsdale, AZ 85252  
 PH: (480) 941-6300  
 FAX: (480) 947-1503  
[www.microsemi.com](http://www.microsemi.com)

05-15-07 Rev. 4

# HSM880 — HSM8100

Figure 1  
Typical Forward Characteristics

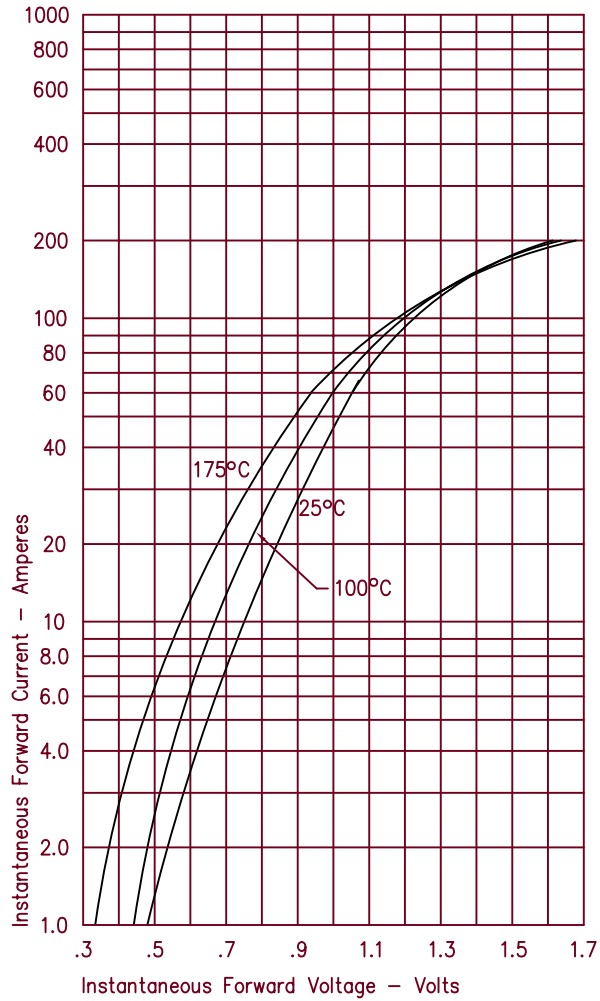


Figure 3  
Typical Junction Capacitance

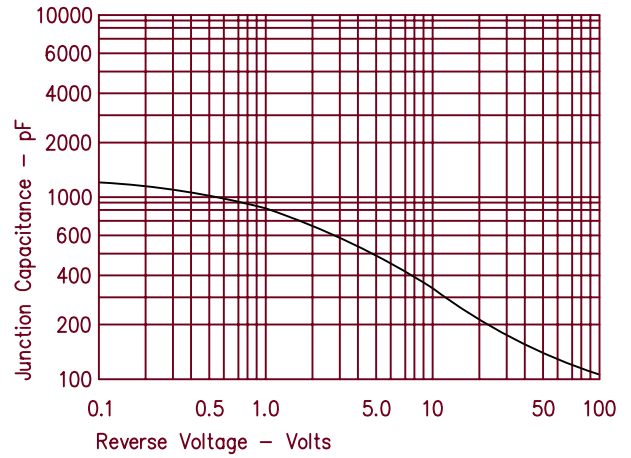
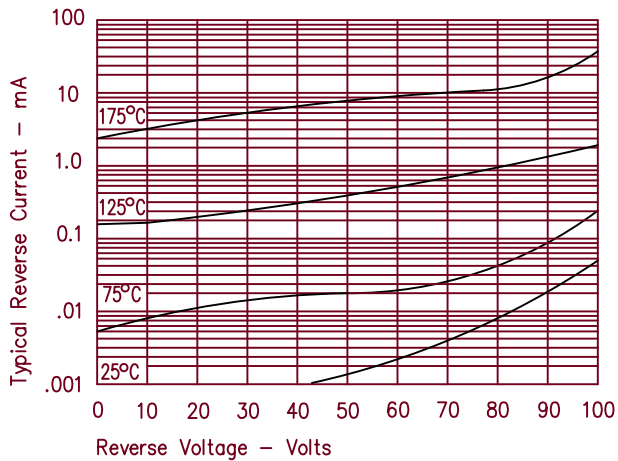


Figure 2  
Typical Reverse Characteristics



# Mouser Electronics

Authorized Distributor

Click to View Pricing, Inventory, Delivery & Lifecycle Information:

[Microchip:](#)

[HSM8100Je3/TR13](#)