

PCV18-75W Series are a range of 18W to 75W RoHS compliant single output constant voltage power supplies, of non waterproof design, with quick connect terminals. Suitable for indoor LED lighting applications.

- Captive terminal screws for ease
- Snap lock cable strain relief
- Over load/short circuit and thermal protections
- SELV equivalent
- Safe no load operation
- Class II product

Applications

- Residential LED lighting
- Display cases
- LED downlights
- LED Backlighting
- Mood lighting
- Light sculptures



RoHS Compliant Constant Voltage LED Lighting Power Supplies

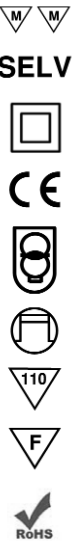
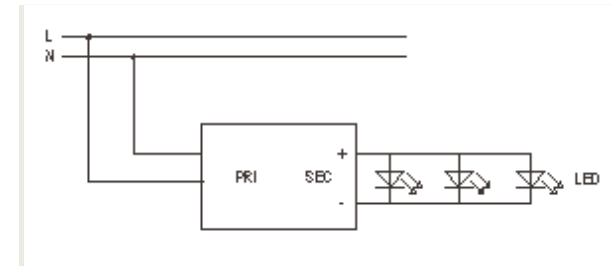
★ Specification

IP Rating	Non IP
Input Voltage	100 to 240Vac 220 to 240Vac on 18W
Input Frequency	47Hz to 63Hz
Power Factor	0.95
Set Up Time	2s max
Over Load Protection	Auto recovery

Over Temperature Protection	Thermal protection
Operating Temperature	-20°C to +50°C
Storage Temperature	-20°C to +70°C
Lifetime	50K hours full load 25°C
Safety Standards	Designed to meet EN61347-1, EN61347-2-13, UL 8750
EMI Standards	Meets Emissions to EN 55105, EN61547, EN61000-3-2, EN 61000-3-3

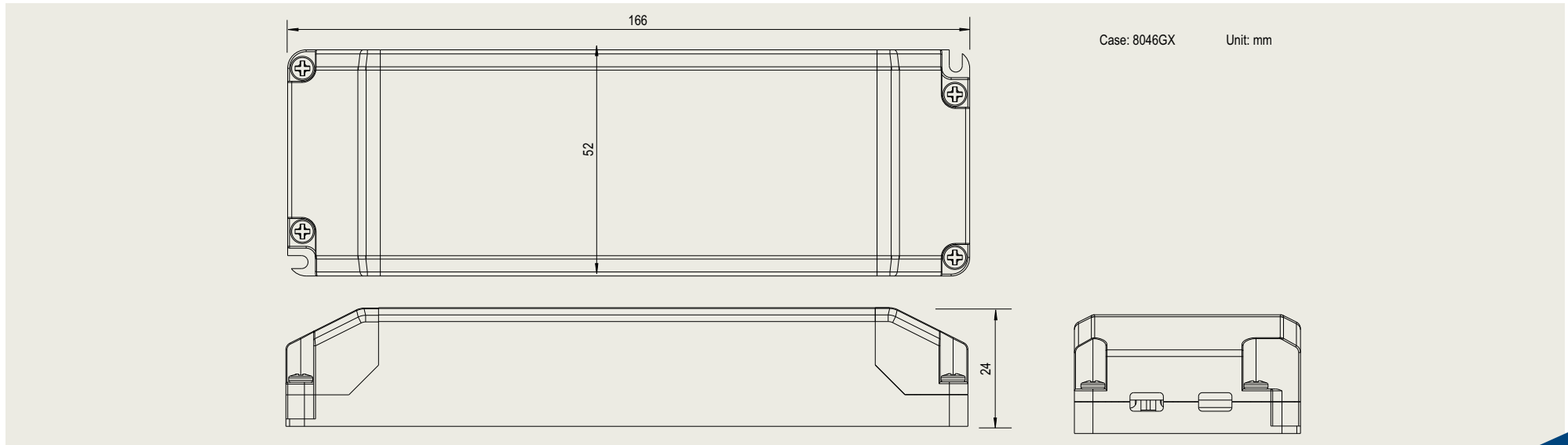
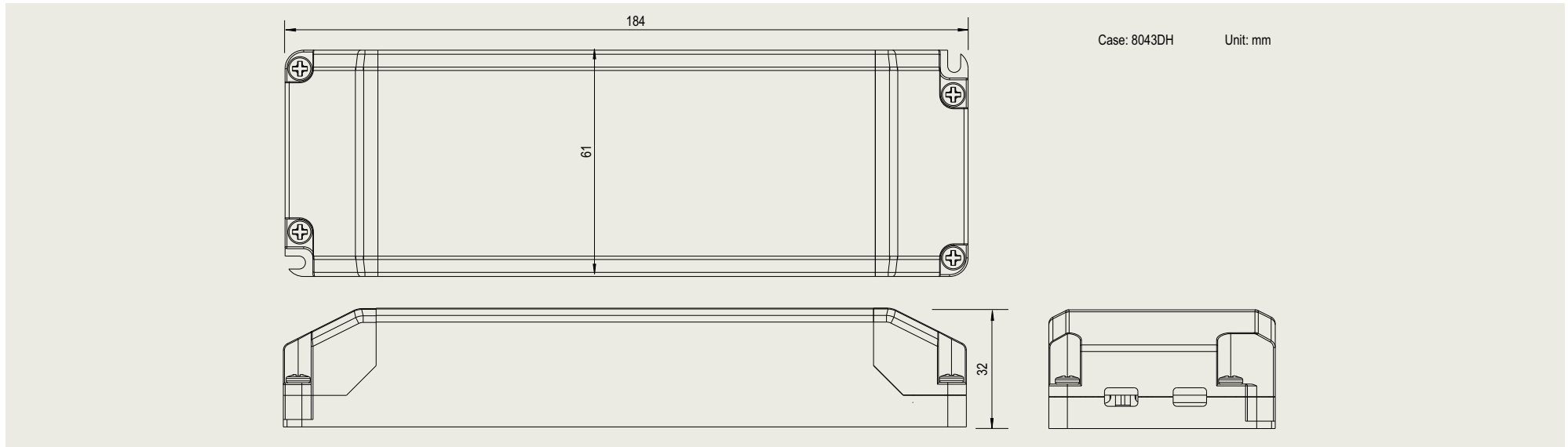
Input Connections	Screw terminal
Output Connections	Screw terminal

★ LED Configuration



Part number	Voltage	Current	Power	Eff.	Weight	Dimensions
PCV1218	12V	1.5A	18W	80%	85g	115 x 45 x 21mm (Case: 8044EK)
PCV1236	12V	3A	36W	82%	130g	166 x 52 x 24mm (Case: 8046GX)
PCV1250	12V	4.2A	50W	82%	300g	184 x 61 x 32mm (Case: 8043DH)
PCV2418	24V	0.75A	18W	82%	85g	115 x 45 x 21mm (Case: 8044EK)
PCV2436	24V	1.5A	36W	84%	130g	166 x 52 x 24mm (Case: 8046GX)
PCV2450	24V	2A	50W	84%	300g	184 x 61 x 32mm (Case: 8043DH)
PCV2475	24V	3.15A	75W	85%	300g	184 x 61 x 32mm (Case: 8043DH)

★ Mechanical Diagram



★ Mechanical Diagram

