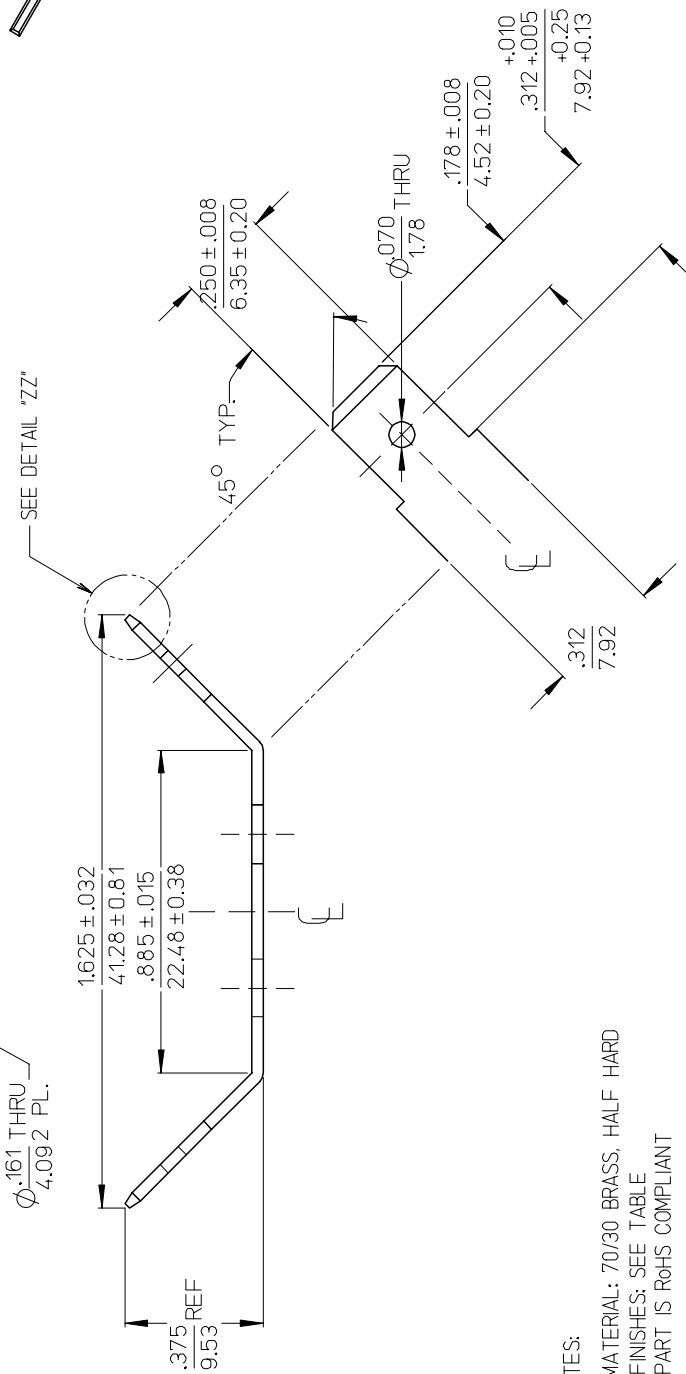
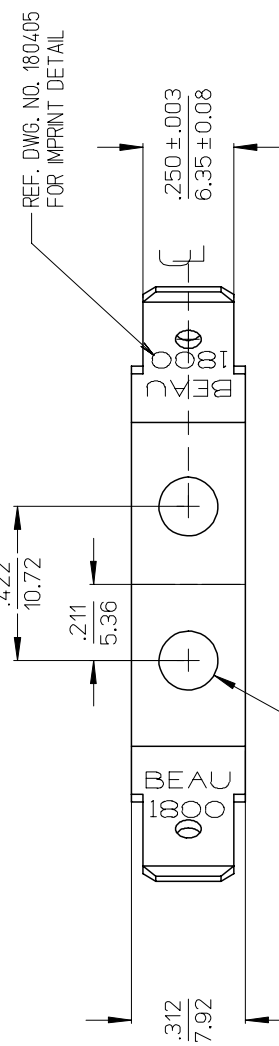
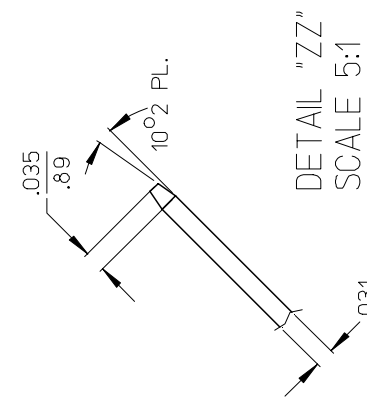
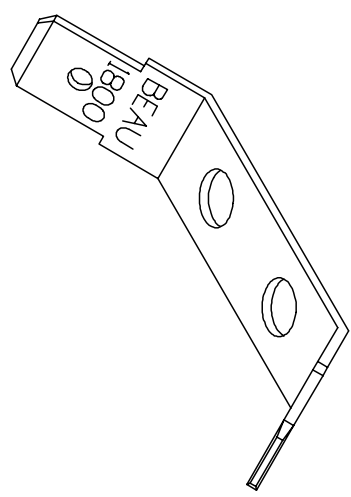


38002 2 3 4 5 6 7 8 9 10



- NOTES:
 1. MATERIAL: 70/30 BRASS, HALF HARD
 2. FINISHES: SEE TABLE
 3. PART IS RoHS COMPLIANT

QUALITY SYMBOLS	GENERAL TOLERANCES (UNLESS SPECIFIED)	DIMENSION STYLE	SCALE	DESIGN UNITS	THIRD ANGLE PROJECTION
▷=0	mm ± ---	IN/MM	3:1	INCH	☉
▽=0	INCH ± .0015	DRAWN BY	TITLE	TERMINAL, FAST TAB SLSL	
	± 0.038	HCH	DATE	OPTION -1811	
	± 0.13	CHECKED BY	DATE		
	± .01	APPROVED BY	DATE		
	± .25	RN	69/05/12		
	ANGULAR ± 2 °	MATERIAL NO.	SEE CHART		
	DRAFT WHERE APPLICABLE MUST REMAIN WITHIN DIMENSIONS	SIZE	B		
		INCORPORATED AND SHOULD NOT BE USED WITHOUT WRITTEN PERMISSION			

DESCRIPTION	REV
NO CHANGE FROM C	C1
EC NO: ETC2007-0441	
DRWN: CLYORK	
CHKD: JMACNELL	
APP: JMACNELL	
2007/06/11	
2007/06/10	
2007/06/05	

380020263	1804-0601-A500	380020261	TIN PLATED
380020261	1804-0601-A110	435870182	PLAIN
MATERIAL NO.	ENGINEERING NO.	MADE FROM	FINISH

Id: frame_B.P1YE-1
 Rev. E 2006/04/15