

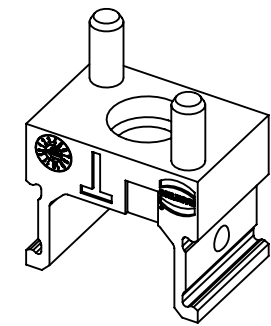
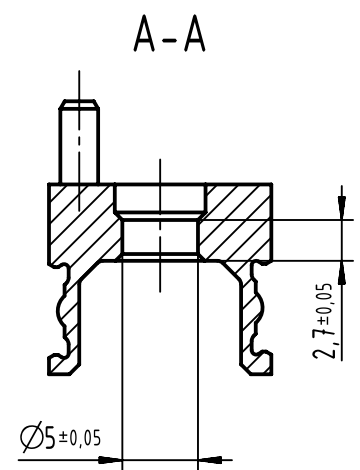
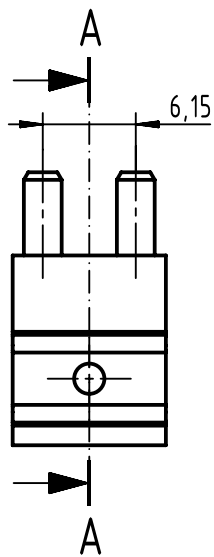
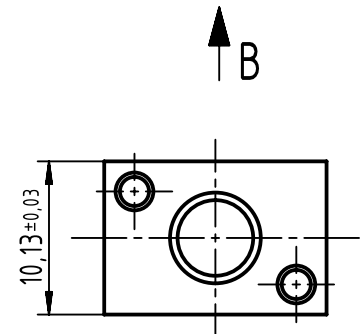
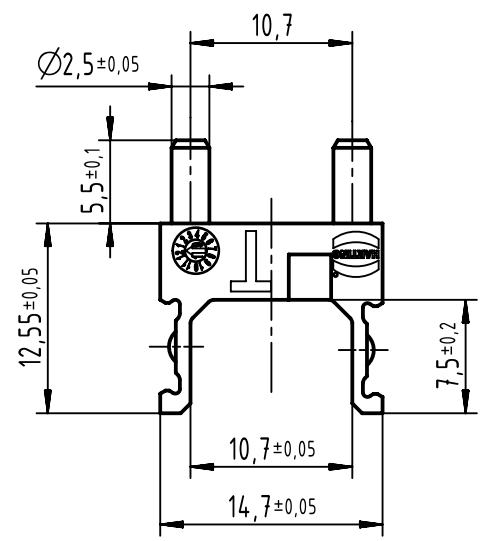
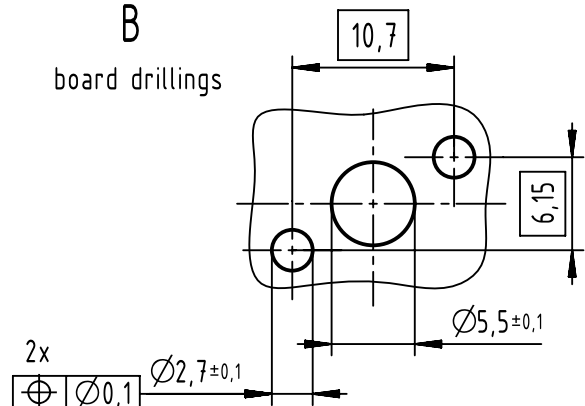
A

B

C

D

B
board drillings



	All rights reserved Department EL PD	All Dimensions in mm Original Size DIN A4		Scale 2:1	Free size tol.	Ref. Sub.
		HARTING Electronics GmbH D-32339 Espelkamp	Created by HASELOH	Inspected by WOLF	Standardisation KOHLER	Date 2020-09-25
Title har-modular T-module male straight with guide						Doc-Key / ECM-Nr. 100827784/UGD/001/B 500000178555
Type TB				Number 02539000004		Rev. B
						Page 1/1