

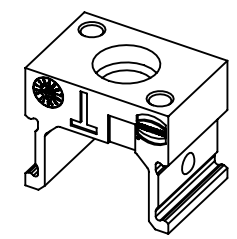
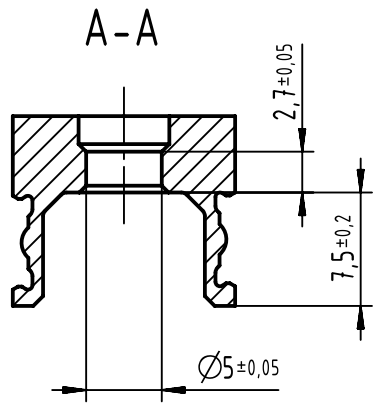
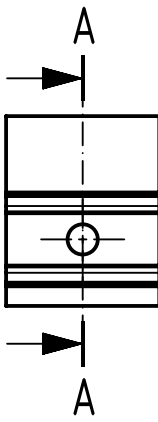
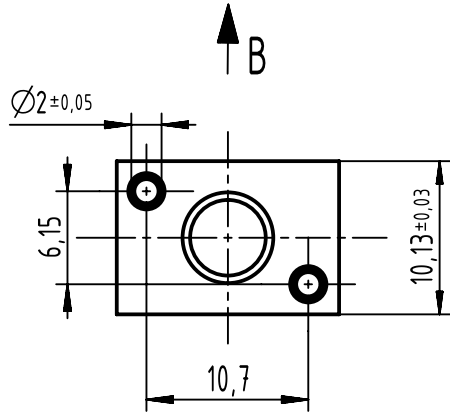
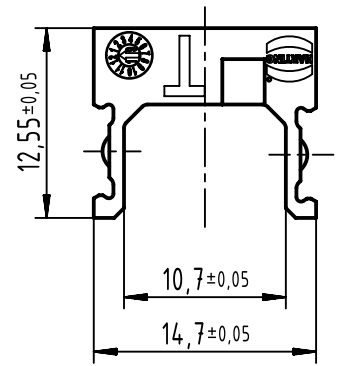
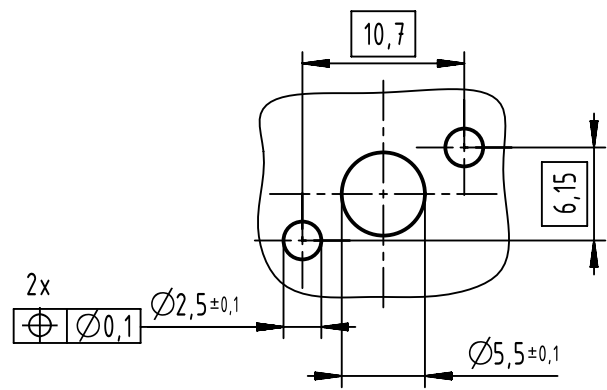
A

B

C

D

B  
board drilling



recommended self-tapping srew EJOT-DELTA-PT-WN-5451-22x7 : part number 09060019974  
please order separately

	All rights reserved Department EL PD	All Dimensions in mm Original Size DIN A4		Scale 2:1	Free size tol.	Ref.
		HARTING Electronics GmbH D-32339 Espelkamp	Created by HASELOH	Inspected by WOLF	Standardisation KOHLER	Date 2020-09-25
Title har-modular T-module male straight						Doc-Key / ECM-Nr. 100811858/UGD/001/B 500000178555
Type TB				Number 02539000001		Rev. B
						Page 1/1