

# Bocube

Enclosures, ABS, single-coloured



B 080805 ABS 7024  
Order no.: 96031114

\* = Available on request.

## Characteristics

Colour of enclosure group  
Graphite grey, similar to RAL 7024

Colour of enclosure group  
Graphite grey

Protection class  
IP 66, 68 - 1,2m (2 hours)

Enclosure Material

ABS or PC UL 94 V0 (material is suitable for outdoor use; f1-listing according to UL 746C)

PU seal, foamed; for details please see Technical Information

## Scope of delivery

Lid and base, hinged quick-release catches

## Note

Material shrinkage may result in ABS enclosures being approx. 0.1 - 0.25 % larger.

## Important!

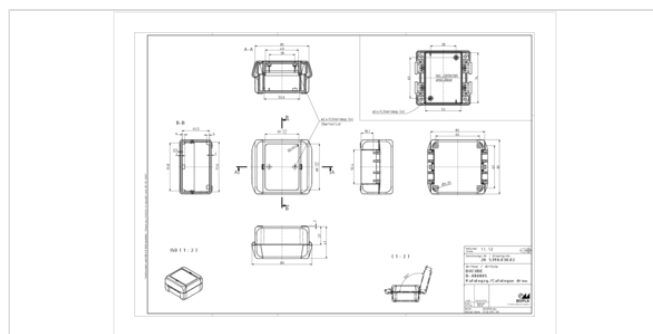
To compensate for pressure when temperatures change and cause moisture in the enclosure, we recommend that you use a pressure compensation element.

» Additional information

## Dimensions

Dimensions  
89 x 80 x 47 mm

## Product drawing



## Technical documentation / Downloads

---

### Technical drawings

3D product data in STEP format: Registration necessary  
Product drawing in PDF format: 96031114 B-080805-ABS-7024.pdf (159.7 KB)  
Product drawing in DXF format: 96031114 B-080805-ABS-7024.dxf (3.5 MB)  
Drawing for mechanical processing: 96031114 B-080805-ABS-7024-G.dxf (2.8 MB)

Milling contours are shown here as a DXF file. (Sub D, USB, HDMI, cable glands, ...)

### Works Test Certificates

688 WPZ-Bocube-PC-V0 DE.pdf (184.6 KB)  
689 WPZ-Bocube-ABS DE.pdf (165.1 KB)  
689 WPZ-Bocube-ABS EN.pdf (160.3 KB)  
688 WPZ-Bocube-PC-V0 EN.pdf (179.1 KB)

### Product information

Bocube GB.pdf (1.9 MB)  
Highlights Bocube.pdf (3.8 MB)

## Matching accessories

---



### Hinged quick-release catches (Set), polycarbonate UL 94 V0 or ABS

|          |                  |  |                  |
|----------|------------------|--|------------------|
| 96330100 | B SC 08 ABS 3000 | For B 0808.., B 1008.., B 1408.., B 1808.. | Flame red        |
| 96330102 | B SC 08 ABS 5002 | For B 0808.., B 1008.., B 1408.., B 1808.. | Ultramarine blue |
| 96330109 | B SC 08 ABS 6029 | For B 0808.., B 1008.., B 1408.., B 1808.. | Mint green       |
| 96330104 | B SC 08 ABS 7024 | For B 0808.., B 1008.., B 1408.., B 1808.. | Graphite grey    |
| 96330105 | B SC 08 ABS 7035 | For B 0808.., B 1008.., B 1408.., B 1808.. | Light grey       |
| 96330103 | B SC 08 ABS 1023 | For B 0808.., B 1008.., B 1408.., B 1808.. | Traffic yellow   |



### Hand-operated hinged catch (set), polycarbonate UL 94 V0 or ABS

|           |                     |  |                  |
|-----------|---------------------|--|------------------|
| 96930109  | B SC HB 08 ABS 6029 | For B 0808.., B 1008.., B 1408.., B 1808.. | Mint green       |
| 96930100  | B SC HB 08 ABS 3000 | For B 0808.., B 1008.., B 1408.., B 1808.. | Flame red        |
| 96930102  | B SC HB 08 ABS 5002 | For B 0808.., B 1008.., B 1408.., B 1808.. | Ultramarine blue |
| 96930104* | B SC HB 08 ABS 7024 | For B 0808.., B 1008.., B 1408.., B 1808.. | Graphite grey    |
| 96930105* | B SC HB 08 ABS 7035 | For B 0808.., B 1008.., B 1408.., B 1808.. | Light grey       |
| 96930103  | B SC HB 08 ABS 1023 | For B 0808.., B 1008.., B 1408.., B 1808.. | Traffic yellow   |



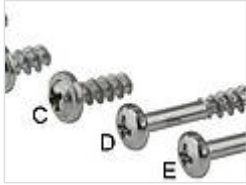
### Wall brackets

|          |           |                       |               |
|----------|-----------|-----------------------|---------------|
| 96510005 | B WL 7035 | For B 08... - B 26... | Light grey    |
| 96510004 | B WL 7024 | For B 08... - B 26... | Graphite grey |



Mounting panels, laminated paper, 2 mm

96601100 B M 0808 For B 0808..



Sets of screws

96300000 B SHR D (for optional screwing of enclosures B 0808 - 2617)  
96600000 B M-SHR 0808 B (for fixing mounting panels B M 0808)



Blanking plugs to determine the hinge side

96410000 B VS 3000 Flame red  
96410005 B VS 7035 Light grey  
96410004 B VS 7024 Graphite grey



Pressure compensation membrane DAE

52011000 DAE-D11 Self-adhesive membrane ø 11 mm