

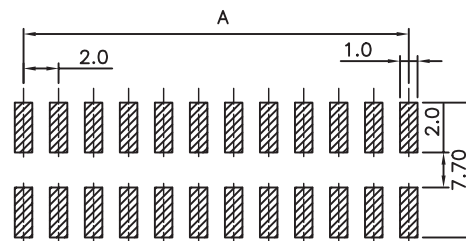
1

2

3

4

5



PCB LAYOUT - COMPONENT VIEW

TECHNICAL CHARACTERISTICS

MATERIAL
 INSULATOR: PA 9T
 COLOR: BLACK
 FLAMMABILITY RATING: UL94-V0
 CONTACT MATERIAL: COPPER ALLOY
 CONTACT TYPE: STAMPED
 CONTACT PLATING: GOLD
 QUALITY CLASS: 3 AS PER CECC 75 301-802
 PITCH: 2.00 MM

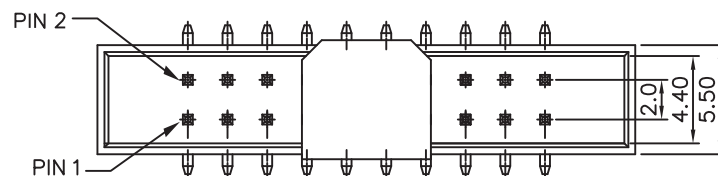
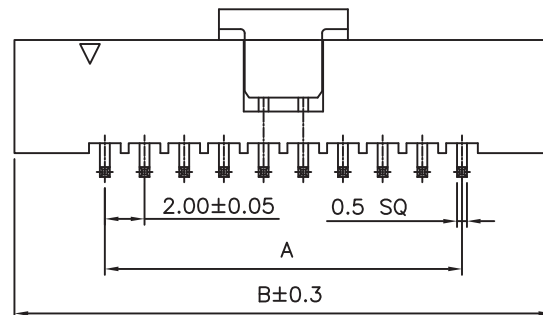
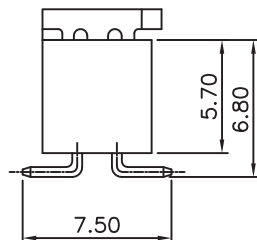
ENVIRONMENTAL
 OPERATING TEMPERATURE: -40°C UP TO 105°C
 COMPLIANCE: LEAD FREE AND ROHS

ELECTRICAL
 CURRENT RATING: 2 A
 WORKING VOLTAGE: 250 VAC
 INSULATOR RESISTANCE: >1000 MΩ
 DIELECTRIC WITHSTANDING VOLTAGE: 500 VAC/MIN
 CONTACT RESISTANCE: 20 mΩ MAX

SOLDERING:
 JEDEC LEAD FREE WAVE AND REFLOW SOLDERING

DIMENSION
 A = 2 x (NB. PINS/2 - 1)
 B = 2 x (NB. PINS/2) + 7.25

PACKAGING
 TAPE & REEL WITH CAP



RoHS Compliant

PROJECTION:



GENERAL TOLERANCE

.X = +/- 0.2

.XX = +/- 0.15



WÜRTH ELEKTRONIK

K	10-FEB-17	REMOVE CERTIF.	AK
J	09-DEC-14	CAP MOD.	AS
I	16-SEP-14	MATERIAL+VIEWS	AS
H	09-NOV-11	PACKAGING	GG
REV	DATE	FILE	BY

APPROVAL: GMo

UNIT: MM

SCALE:

SHEET: 1/3

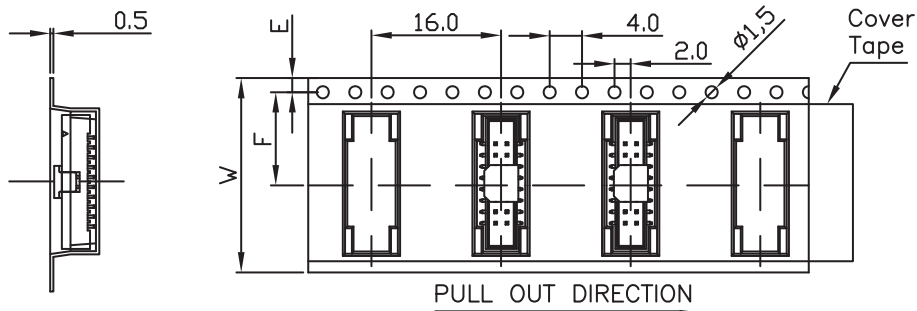
DRAW: AS

DESCRIPTION: WR-BHD - 2.00mm MALE SMT BOX HEADER
 TAPE & REEL PACK

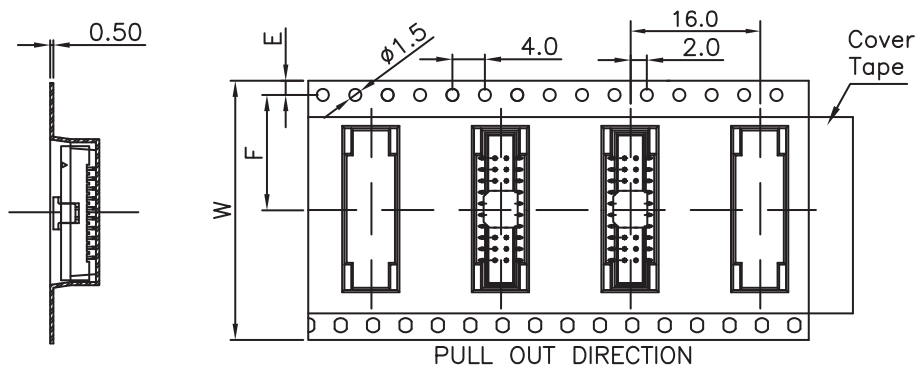
WERI PART NO: 625 3xx 206 21

SIZE

A4



For Reel width (dimension W) 16,24mm Single row hole

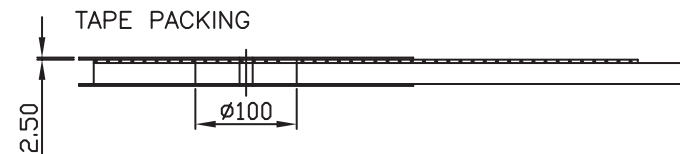
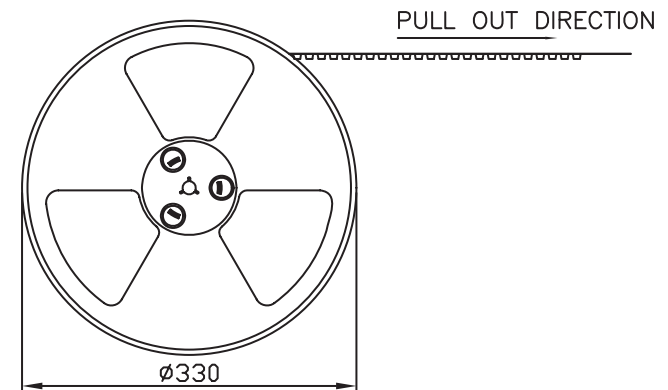


For Reel width (dimension W) 32,44,56,72mm Double rows hole


Pin.	W	F	Pcs/R	R/Cartron	Q'TY
06	24	11.5	450	9	4050
08-10	32	14.2	450	7	3150
12-24	44	20.2	450	5	2250
26-36	56	26.2	450	4	1800
40-50	72	34.2	450	3	1350


Note:

- 1.All dimensions meet EIA-481-3 requirements.
- 2.Material : BK Conductive Polystyrene Alloy 100% recyclable.
- 3.Thickness : 0.50±0.05mm
- 4.Component load per 13" reel :450Pcs.
- 5.Carton Size:350*350*296(mm)



RoHS Compliant

G				PROJECTION: 
F				
E				
D				
C				
B				APPROVAL: Gmo
A	09-DEC-14	PDF	AS	
REV	DATE	FILE	BY	

GENERAL TOLERANCE .X = +/- 0.2 .XX = +/- 0.15	
UNIT: MM	
SCALE:	
SHEET: 2/3	
DRAW: AS	DESCRIPTION: WR-BHD - 2.00mm MALE SMT BOX HEADER TAPE & REEL PACK WERI PART NO: 625 3xx 206 21

DESCRIPTION: WR-BHD - 2.00mm MALE SMT BOX HEADER TAPE & REEL PACK	SIZE A4
UNIT: MM	
SCALE:	
SHEET: 2/3	

1

2

3

4

5

Cautions and Warnings:

This electronic component is designed and developed with the intention for use in general electronics equipments.

Before incorporating the components into any equipments in the field such as aerospace, aviation, nuclear control, submarine, transportation, (automotive control, train control, ship control), transportation signal, disaster prevention, medical, public information network etc. where higher safety and reliability are especially required or if there is possibility of direct damage or injury to human body, Würth Elektronik must be asked for a written approval.

In addition, even electronic component in general electronic equipments, when used in electrical circuits that require high safety, reliability functions or performance, the sufficient reliability evaluation-check for the safety must be performed before by the user before usage.

A

B

C

RoHS Compliant

G				PROJECTION: 	GENERAL TOLERANCE .X = +/- 0.2 .XX = +/- 0.15		
F							
E							
D							
C				APPROVAL: JC	UNIT: MM	DESCRIPTION: DISCLAIMER	SIZE A4
B					SCALE:		
A	10-SEP-14	PDF	QL		SHEET: 3/3	WERI PART NO: DISCLAIMER	
REV	DATE	FILE	BY		DRAW: QL		

D

Mouser Electronics

Authorized Distributor

Click to View Pricing, Inventory, Delivery & Lifecycle Information:

[Wurth Elektronik:](#)

[62533420621](#)