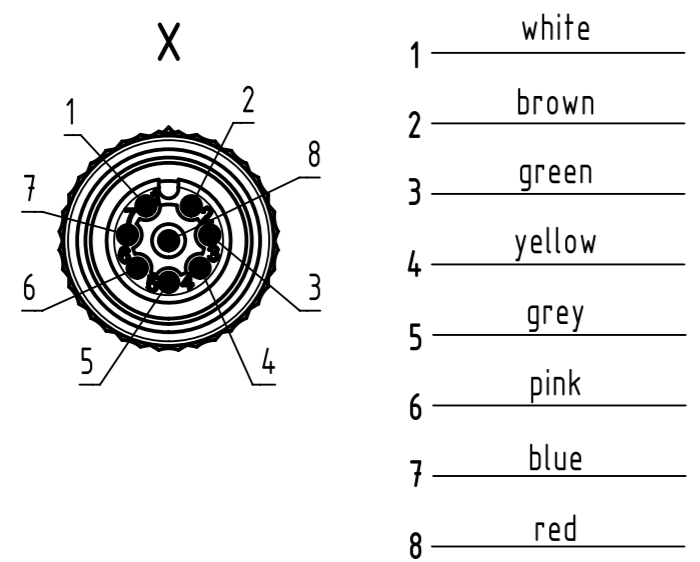
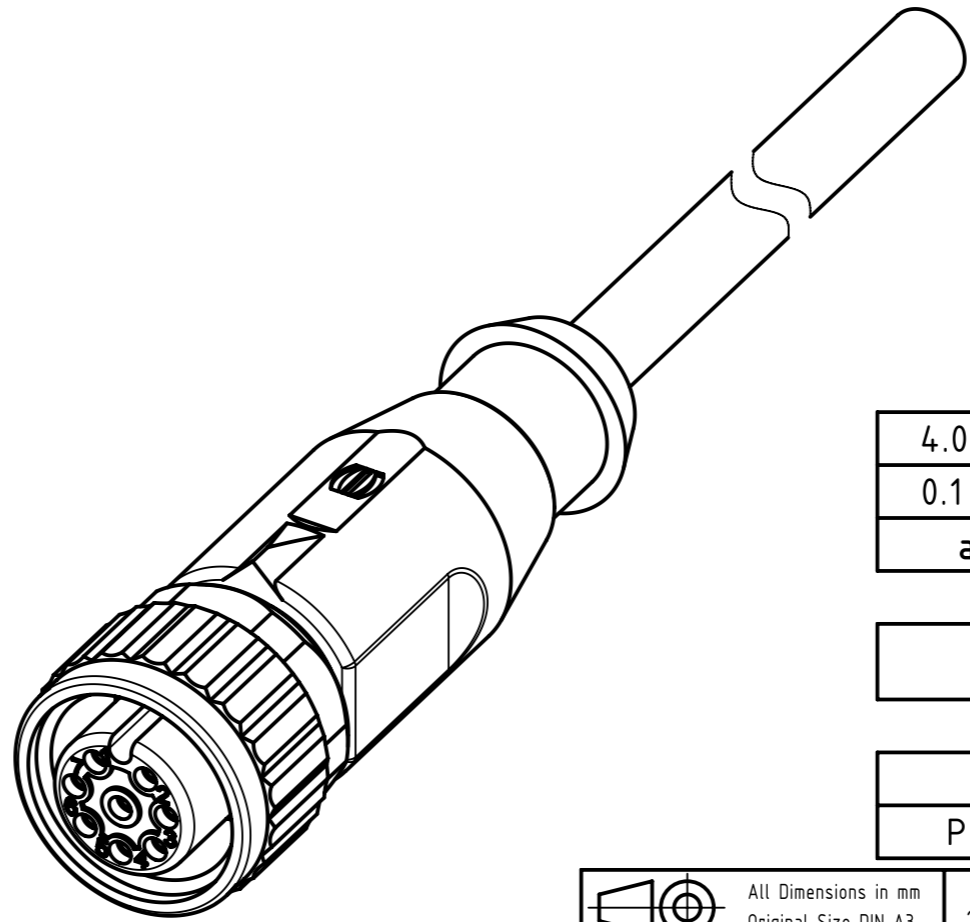


Loading-Plan:



- Protection level: IP67
 - Temperature range: -25°C ... +80°C



length in "1m" step	40	XXX=400
	39	XXX=390

	12	XXX=120
	11	XXX=110
length in "0.1m" step	10	XXX=100
	9.9	XXX=099
	9.8	XXX=098

	0.4	XXX=004
	0.3	XXX=003
	0.2	XXX=002
0.1	XXX=001	
Step	a [m]	XXX

4.0 to 40	+1%
0.1 to 3.9	+0.04
a [m]	Tolerance

Part no. 213485008XXXXX

Type of cable XX
 PVC grey, 8x0.25mm² XX=82

All rights reserved Department EC PD - RO HARTING Electronics GmbH D-32339 Espelkamp	All Dimensions in mm Original Size DIN A3	Scale 2:1 Free size tol.	Ref. Sub.
	Created by TAMAS Inspected by AVRAM Standardisation HOFFMANN Date 2014-07-01 State Final Release	Title M12 A-coded Cable Assembly Type TB Number 213485008XXXXX	Doc-Key / ECM-Nr. 100578933/UGD/009/A 50000076579 Rev. A Page 1/1