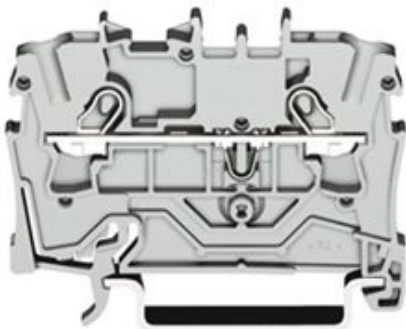

Item no.: 2002-1202
Product description: 2-Conductor through terminal block suitable for Ex e applications



Produkt kann von Bild abweichen / product may differ

Packing unit 100 pieces

RoHS compliant

| | |
|----------------------------------|--|
| Current intensity EN | 32 A |
| Product group | 22 (TOPJOB S RAIL-MOUNTED TERMINAL BLOCKS) |
| Cross section [mm ²] | 0.25 - 2.5 mm ² |
| Cross section [AWG] | 22 - 12 AWG |
| Connection method | CAGE CLAMP®S Connection |
| Cross section [mm ²] | 0.25 - 4 mm ² |
| Cross section [AWG] | 22 - 12 AWG |
| Wiring method | s + f-st |
| Connection method | CAGE CLAMP®S Connection |
| Measured voltage EN | 800 V |
| Measured shock voltage | 8 kV |
| Pollution degree | 3 |
| Current intensity EN | 24 A |
| Rated voltage EN (Ex e II) | 550 V |
| Nominal current (Ex e II) | 22 A |
| Weight | 4.369 g |
| Color | orange |
| Wiring type | Front-entry |

| | |
|--------------------------|----------|
| No. of connection Points | 2 |
| No. of potentials | 1 |
| Height | 33 mm |
| Height | 1.299 in |



| | |
|--------------------|-------------|
| Width | 5.2 mm |
| Width | 0.205 in |
| Depth | 48.5 mm |
| Depth | 1.909 in |
| Strip length from | 10 mm |
| Strip length to | 12 mm |
| Strip length | 0.43 in |
| Customs Tariff No. | 85369010 |
| Country of Origin | Deutschland |
| Mounting | TS 35 |



| Item number | Admission office | Approval no. | Voltage [V] | Current [A] | Cross section [mm ²] |
|-------------|------------------|-------------------|-------------|-------------|-----------------------------------|
| 2002-1202 | ABS | 05-HG476175/3-PDA | 800 | 24 | 0,5-4 |
| 2002-1202 | AEX | E185892 | 550 | 20 | 22-12 |
| 2002-1202 | CCA | NL6387 | 800 | 24/32 | 0,2-2,5/4 |
| 2002-1202 | CSA | 154112-1536069 | 600 | 20 | 22-12 |
| 2002-1202 | DNV | E-10423 | 800 | 24 | 0,5-4 |
| 2002-1202 | GL | 26187-05HH | 800 | 24 | 0,25-2,5 |
| 2002-1202 | KEMA | NL2116586.02 | 800 | 24 | 0,5-4 |
| 2002-1202 | LR | 91/20112(E6) | 800 | 24 | 0,5-4 |
| 2002-1202 | PRS | TE/1718/880590/08 | 800 | 24 | 0,2-4 |
| 2002-1202 | PTB | IECExPTB03.0004U | 550 | 22 | 0,2-4 |
| 2002-1202 | PTB | PTB03AteX1162U | 550 | 22 | 0,2-4 |
| 2002-1202 | RosTest | 8189158 | 550 | 22 | 0,2-4 |
| 2002-1202 | UR | E45172 | 600 | 20 | 22-12 |

Sorting criteria: admission office - approval number

© WAGO Kontakttechnik GmbH & Co. KG

Specifications are subject to changes and errors may be expected