

# Axial Leads/SpinGuard®/AA Series

## Automotive

### GENERAL INFORMATION

#### AVX AA Series

#### Electrical Characteristics: AA101C103K4R

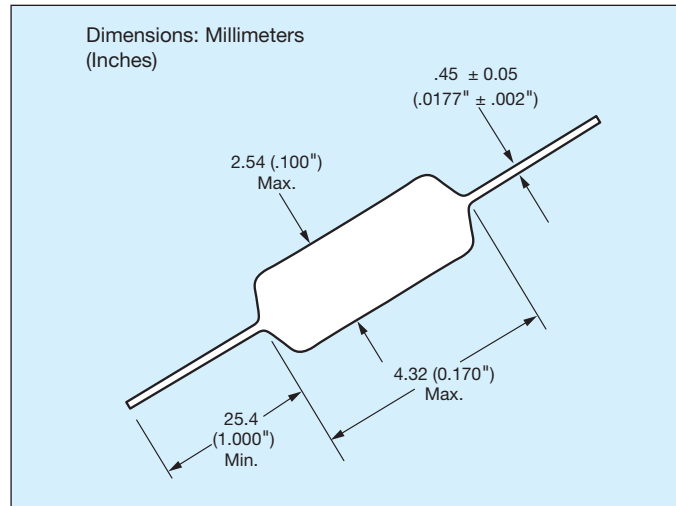
Capacitance @ 25°C, 1kHz, 1Vrms	0.0100µF
Capacitance Tolerance	±10 %
Dissipation Factor @ 25°C	2.5% Max
Rated Voltage	100Vdc
Dielectric Withstand Voltage	250Vdc
Insulation Resistance @ 25°C @ Rated Voltage	100000 Mohms

#### Temperature Characteristics:


X7R (-55 to + 125°C ± 15% @ 0Vdc)

#### Lead Material:

RoHS Compliant 100% Tin

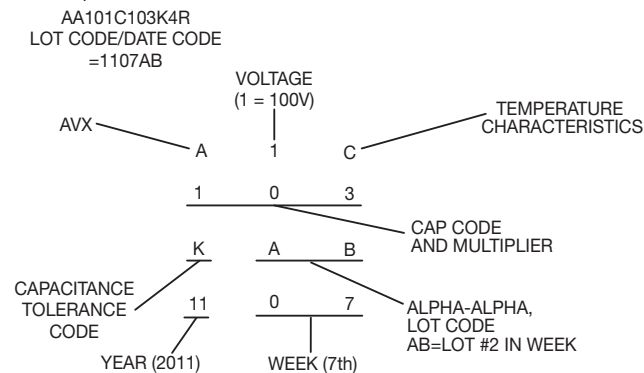


### HOW TO ORDER

<b>AA10</b>	<b>1</b>	<b>C</b>	<b>103</b>	<b>K</b>	<b>4</b>	<b>R</b>	 <b>RoHS COMPLIANT</b> R = RoHS Compliant
<b>Component Size</b> AA10 AA13	<b>Voltage Rating</b> Z = 10V 5 = 50V 1 = 100V 2 = 200V	<b>Dielectric</b> A = COG (NP0) C = X7R	<b>Capacitance Code</b> First two digits are the significant figures of capacitance. Third digit indicates the additional number of zeros. For example, order 100,000 pF as 104. (For values below 10pF use "R" in place of decimal point, e.g., 1R4 = 1.4pF.)	<b>Capacitance Tolerance Code</b> COG (NP0): C = ± .25pF D = ± .5pF F = ±1% G = ±2% J = ±5% K = ±10% X7R: J = ±5% K = ±10% M = ±20%	<b>Failure Rate</b> 4 = Automotive	<b>RoHS Compliant</b> R = RoHS Compliant	

### MARKING (EXAMPLE)

SpinGuard marking includes full date code/lot code identification. A first in the industry, this format provides complete traceability to all manufacturing processes involving the basic chip and final assembly. Total Shipment traceability is also provided.



### PACKAGING REQUIREMENTS

Tape and Reel Ø 14": 7500 pieces

# Axial Leads/SpinGuard®/AA Series

Automotive – C0G (NP0) Dielectric

## SIZE AND CAPACITANCE SPECIFICATIONS

Dimensions: Millimeters (Inches)



AVX Style		AA10			AA30	
Length (L)		4.32 (.170")			7.37 (.290")	
Diameter (D)		2.54 (.100")			3.81 (.150")	
Lead Diameter		.445 (.0175")			.445 (.0175")	
Lead Length		25.4 (1.00")			25.4 (1.00")	
Cap. in. pF	Typical AVX Part Nos.	WVDC			WVDC	
		200	100	50	100	50
100	AA.....A101K4R					
120	AA.....A121K4R					
150	AA.....A151K4R					
180	AA.....A181K4R					
220	AA.....A221K4R					
270	AA.....A271K4R					
330	AA.....A331K4R					
390	AA.....A391K4R					
470	AA.....A471K4R					
560	AA.....A561K4R					
680	AA.....A681K4R					
820	AA.....A821K4R					
1,000	AA.....A102K4R					
1,200	AA.....A122K4R					
1,500	AA.....A152K4R					
1,800	AA.....A182K4R					
2,200	AA.....A222K4R					
2,700	AA.....A272K4R					
3,300	AA.....A332K4R					
3,900	AA.....A392K4R					
4,700	AA.....A472K4R					
5,600	AA.....A562K4R					
6,800	AA.....A682K4R					
8,200	AA.....A822K4R					
10,000	AA.....A103K4R					

For other voltage and tolerances contact factory.

\*Other capacitance values available upon special request.

# Axial Leads/SpinGuard®/AA Series

Automotive – X7R Dielectric

## SIZE AND CAPACITANCE SPECIFICATIONS



Dimensions: Millimeters (Inches)

AVX Style		AA10		AA30	
Length (L)		4.32 (.170")		7.37 (.290")	
Diameter (D)		2.54 (.100")		3.81 (.150")	
Lead Diameter		.445 (.0175")		.445 (.0175")	
Lead Length		25.4 (1.00")		25.4 (1.00")	
Cap. in. pF	Typical AVX Part Nos.	WVDC		WVDC	
		100	50	100	50
220	AA__C221K4R				
270	AA__C271K4R				
330	AA__C331K4R				
390	AA__C391K4R				
470	AA__C471K4R				
560	AA__C561K4R				
680	AA__C681K4R				
820	AA__C821K4R				
1,000	AA__C102K4R				
1,200	AA__C122K4R				
1,500	AA__C152K4R				
1,800	AA__C182K4R				
2,200	AA__C222K4R				
2,700	AA__C272K4R				
3,300	AA__C332K4R				
3,900	AA__C392K4R				
4,700	AA__C472K4R				
5,600	AA__C562K4R				
6,800	AA__C682K4R				
8,200	AA__C822K4R				
10,000	AA__C103K4R				
12,000	AA__C123K4R				
15,000	AA__C153K4R				
18,000	AA__C183K4R				
22,000	AA__C223K4R				
27,000	AA__C273K4R				
33,000	AA__C333K4R				
39,000	AA__C393K4R				
47,000	AA__C473K4R				
56,000	AA__C563K4R				
68,000	AA__C683K4R				
82,000	AA__C823K4R				
100,000	AA__C104K4R				

For other voltage and tolerances contact factory.

\*Other capacitance values available upon special request.

# Mouser Electronics

Authorized Distributor

Click to View Pricing, Inventory, Delivery & Lifecycle Information:

## Kyocera AVX:

[AA101C103K4R](#) [AA105C104K4R](#) [AA301C104K4R](#) [AA101C102K4R](#) [AA115C104K4R](#) [AA101C221K4R](#)  
[AA101C472K4R](#) [AA105C102K4R](#) [AA301E684M4R-QUAL](#) [AA101C103M4R](#) [AA105A102K4R](#) [AA101C122K4R](#)  
[AA105C472K4R](#) [AA115C104M4R](#) [AA102A820J4R](#) [AA102A102G4R-QUAL](#) [AA105C333K4R](#) [AA301C223M4R](#)  
[AA111C333K4R](#) [AA301C104K4R-BULK](#) [AA105C683K4R](#) [AA105C103K4R](#) [AA105C473K4R](#) [AA105F223K4R-QUAL](#)  
[AA301A103K4R-QUAL](#) [AA101A102K4R-QUAL](#) [AA101C331K4R](#) [AA201C223M4R](#) [AA051C102K4R](#) [AA051C103K4R](#)  
[AA305C105K4R](#) [AA301C105KAR](#) [AA101C103KAR](#) [AA105C473K4R-CONTI4](#) [AA301C223K4R](#) [AA305C105M4R](#)  
[AA305C334K4R](#) [AA305C474M4R](#) [AA101A151J4R](#) [AA105C104M4R](#) [AA115C474M4R](#) [AA101C473K4R](#)  
[AA101F103K4R-QUAL](#) [AA105C332K4R](#) [AA105C473K4R-CONTI3](#) [AA101C104M4R](#) [AA101A100K4R](#)  
[AA101A101J4R](#) [AA101A331J4R](#) [AA105C224M4R](#) [AA105A331K4R-INTEVA](#) [AA101C472KAR](#) [AA301C104K4R-](#)  
[AVOCARB](#) [AA101L331K4R](#) [AA105A331K4R](#) [AA305C474K4R](#) [AA101C471K4R](#)