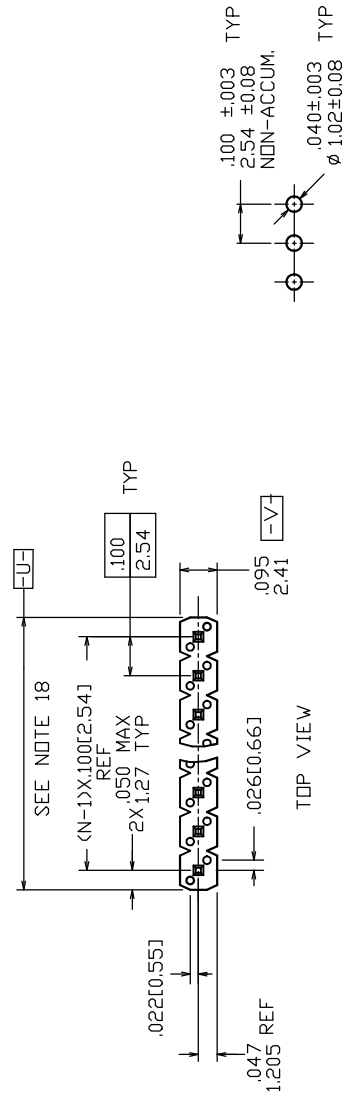


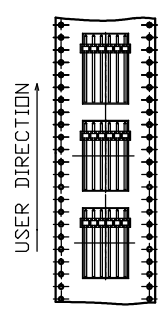
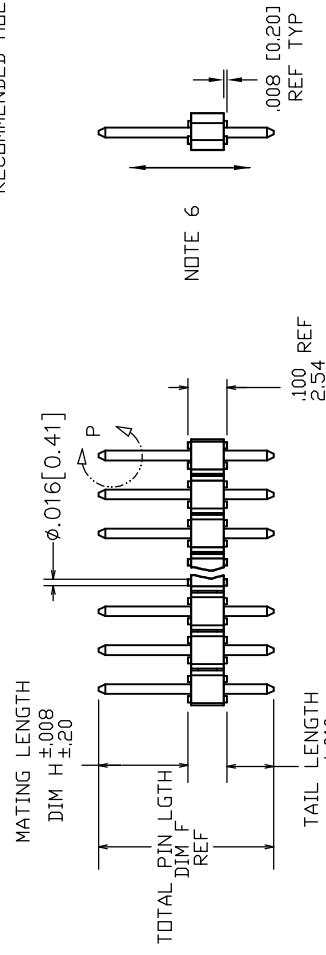
1 2 3 4 5 6

PRODUCT NUMBER  
 XXXXX-YYHXLF X  
 ADDITIONAL CODE (SEE NOTES 1)  
 LEAD FREE OPTION (SEE NOTES 1)  
 PACKAGING OPTIONS (SEE NOTE 1)  
 HIGH TEMPERATURE PLASTIC (SEE NOTE 1)  
 NO DF POSITIONS (SEE NOTE 1)  
 PIN PLATING (SEE SHEET 2)  
 BASE PART NO.

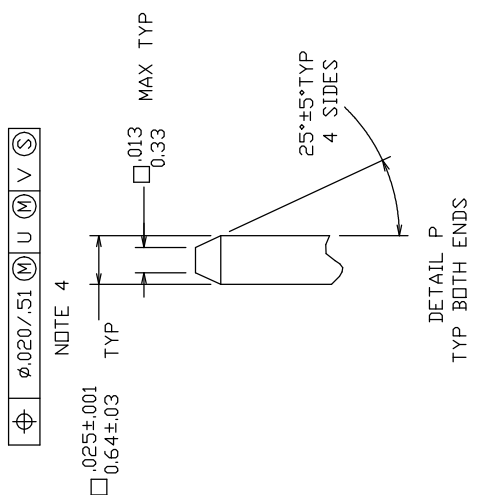
68000-X XX-XXX-XXX-LF  
 TAIL LENGTH (EXAMPLE BELOW)  
 3.0mm=030 12.8mm=128 (SEE NOTE 15 & 16)  
 MATING LENGTH (EXAMPLE BELOW)  
 5.0mm=050 25.5mm=255 (SEE NOTE 15 & 16)  
 TOTAL NUMBER OF POSITION FROM 1 THRU 36 PDS. (SEE NOTE 1)  
 PIN PLATING (SEE NOTE 13)  
 1=0.76µm Au  
 4= PURE TIN  
 8=0.36µm Au  
 BASE PART NO.



RECOMMENDED HOLE PATTERN



PACKAGE:  
 ONLY FOR 68000-406160035ALF



mat'l. code NOTES 2 & 3	surface ISO 1302	tolerance ASME Y14.5	projection 1st angle	product family BERGSTIK
tr. rev. no. date	tolerances unless otherwise specified	linear	INCH/MM	title BERGSTIK® II HEADER .100/2.54cc SR STRAIGHT
CY ELX-N-01895 JZ 2012-06-12	.XX±0/.X±3	°.±2°	Scale 1:1	dwg no sheet 1 of 8 size
DA ELX-N-16105 ZK 2013-10-22	.XXX±0.006/.XX±.15	T.BREWBAKER	Amphenol FCI	68000
DB ELX-N-17369 ZK 2014-03-27	.XXX±0.002/.XXX±.005	T.HANNA	Product Customer	Drawing
DD ELX-N-28278 MZ 2017-11-23	01/05/95	J.MURPHY		
DE ELX-N-35840 MZ 2020-01-08	01/05/95	T.HANNA		
DF ELX-N-38872 MX 2020-11-04	01/05/95	T.HANNA		
DF ELX-N-39694 MX 2020-12-17	01/05/95			
Sheet revision DF DF DF DF DF DF				
index sheet 1 2 3 4 5 6 7 8				

1	2	3	4	5	6
---	---	---	---	---	---

PIN PLATING CODES:

XXXX-1YY	30u"/0.76u MIN (SEE NOTE 13) OVER 50u"/1.27u MIN NI
XXXX-2YY	15u"/0.38u MIN (SEE NOTE 13) OVER 50u"/1.27u MIN NI
XXXX-3YY	50u"/1.27u MIN (SEE NOTE 13) OVER 50u"/1.27u MIN NI
XXXX-4YY	100u"/2.54u MIN OVER 50u"/1.27u MIN NI (SEE NOTE 14)
XXXX-4YYHLF	
XXXX-5YY	15u"/0.38u MIN (SEE NOTE 13) OVER 50u"/1.27u MIN NI
XXXX-6YY	30u"/0.76u MIN (SEE NOTE 13) OVER 50u"/1.27u MIN NI
XXXX-7YY	30u"/0.76u MIN (SEE NOTE 13) OVER 50u"/1.27u MIN NI
XXXX-8YY	15u"/0.38u MIN (SEE NOTE 13) OVER 50u"/1.27u MIN NI
XXXX-9YY	15u"/0.38u MIN (SEE NOTE 13) OVER 50u"/1.27u MIN NI
XXXX-0YY	30u"/0.76u MIN (SEE NOTE 13) OVER 50u"/1.27u MIN NI

NOTES

1. PART NUMBER OPTIONS:

PIN PLATING CODES (SEE ABOVE)

HIGH TEMP. MATERIAL:  
PART NUMBERS WITH AND WITHOUT "H" WILL BE SUPPLIED WITH HIGH TEMPERATURE PLASTIC

NUMBER OF POSITIONS :

ANY NUMBER OF POSITIONS FROM 1 THRU 36.  
-X00H INDICATES BERGSTRIIP PRODUCT. SEE PAGE 3 FOR SPECIAL GEOMETRY OF THIS CONTINUOUS STRIP PRODUCT. AUTOMATED REELS WILL CONTAIN 36,000 PINS. SEE SPECIFIC PART NUMBERS FOR AVAILABILITY.

PACKAGING :

NONE =POLY BAGS WITHOUT PICK UP CAP  
T =PACKAGED IN TUBES  
C =PACKAGED IN TUBE WITH PICK UP CAP  
A =PACKAGED IN TAPE AND REEL WITH PICK UP CAP  
D =PACKAGED IN TAPE AND REEL WITHOUT PICK UP CAP  
E =PACKAGED IN TAPE AND REEL WITH NARROW PICK UP CAP

BERGSTRIIP™ PART NUMBERS FOLLOWED BY A "B" ARE BULK PRICED.

LEAD FREE :

ADD "LF" SUFFIX AT THE END OF PART NUMBER FOR LEAD FREE

ADDITIONAL CODE :

NONE = GENERAL TAIL LENGTH AND MATING LENGTH  
R = REVERSE THE TAIL LENGTH AND MATING LENGTH

2. BODY MATERIAL :

BERGSTIK: MANUFACTURER'S OPTION OF NYLON, PCT GLASS FIBER REINFORCED, OR LCP MINERAL FILLED FLAME RETARDENT PER UL-94V-0.  
COLOR : BLACK

BERGSTRIIP : PRODUCED WITH HIGH TEMPERATURE LCP THERMOPLASTIC, FLAME RETARDENT PER UL-94V-0.  
COLOR : BLACK

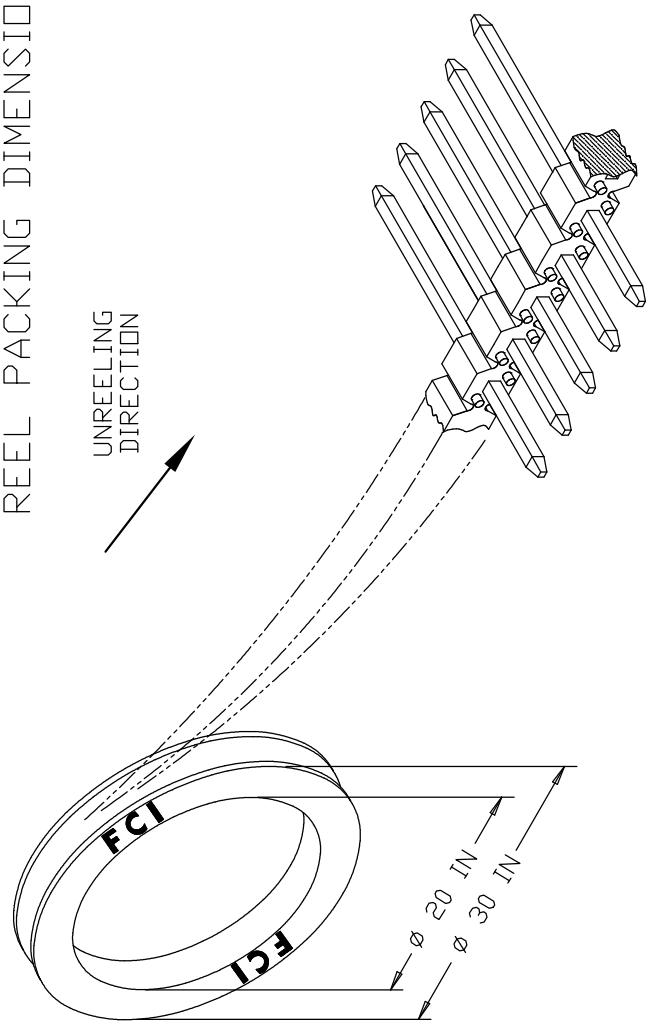
PART NUMBERS WITH AND WITHOUT "H" SUFFIX WILL WITHSTAND EXPOSURE TO 260°C PEAK TEMPERATURE FOR 20 SECONDS IN WAVE SOLDER, INFRA-RED OR VAPOR PHASE SOLDER PROCESS.

- PIN MATERIAL : PHOS-BRONZE.
- MEASURED WITH PART IN RESTRAINED CONDITION.
- TWO SIDES OF PIN TIPS NOT PLATED. TYPICAL BOTH ENDS.
- 2LBS/0.9KG MIN PIN RETENTION IN EITHER DIRECTION.
- PIN CANNOT PROTRUDE PAST EDGE OF HOUSING. MUST BE .005±.005/13±.13 FROM END OF HOUSING HOLE.
- MILITARY BERGSTIK HEADER  
P/N XXXX-XY-MIL.  
NOT AVAILABLE.
- ±.010/0.25 TOL APPLIES TO ALL "G" TAILS EXCEPT INDICATED PARTS ON TABLE WHERE +.010/0.25 - .000/0.00 APPLIES.
- INDICATED PART NUMBERS ARE PRODUCED AND SOLD IN THE TAIWAN/SINGAPORE AREAS. THESE ARE NOT AVAILABLE IN BERGSTRIIP™ CONTINUOUS STRIP.
- NOTCH CONFIGURATION WILL VARY PER VENDOR'S DISCRETION.
- THESE PRODUCTS MEETS EUROPEAN UNION DIRECTIVES AND OTHER COUNTRY REGULATION AS DESCRIBED IN GS-22-008.
- PLATING OPTIONS:  
PERFORMANCE PLATING WILL BE EITHER GOLD OR GXT ON POST OR TAIL, OPTIONALLY (78~295u"/2~7.5u) TIN ON TAIL.
- \*THIS PRODUCT HAS 100% TIN PLATING IN THE INTERFACE AND HAS NOT BEEN TESTED FOR WHISKER GROWTH IN ALL INTERCONNECT ENVIRONMENTS.\*
- THE TOTAL PIN LGTH DON'T EXCEED 34.5mm
- INCREMENTS BY 0.1mm IN LENGTHS ONLY
- THE TOTAL PIN LGTH <10mm OR >37mm PRODUCT HAS TIN PLATING OR GOLD PLATING OVER ALL. THE OTHERS HAS GOLD OR TIN PLATING ON CONTACT AREA AND TIN PLATING ON TAIL.
- FOR SPECIAL PACKAGING REQUEST PLEASE CONTACT PRODUCT MANAGER FOR AVAILABILITY
- TO DETERMINE DIMENSIONS:  
N=NUMBER OF POSITION PER ROW  
EXAMPLE: 10 POS. N X .100/2.54, REFERENCE DIMENSION  
20. 68000-406160035ALF IS SPECIAL PART NUMBER, IT IS 6PIN, MATING LENGTH IS 16mm.  
TAIL LENGTH IS 3.5mm. AND PACKAGE IS TAPE AND REEL AND NO CAP.

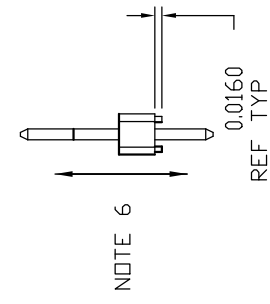
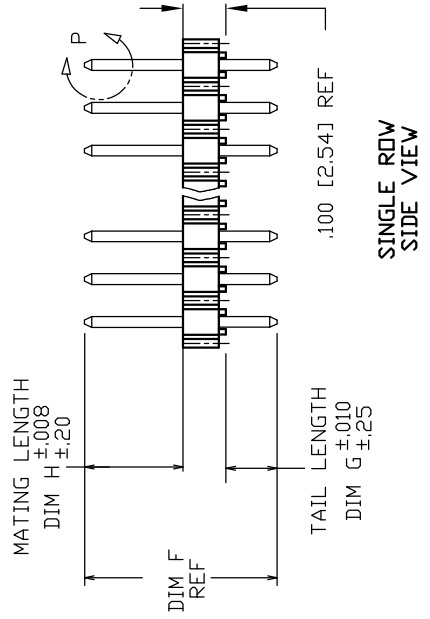
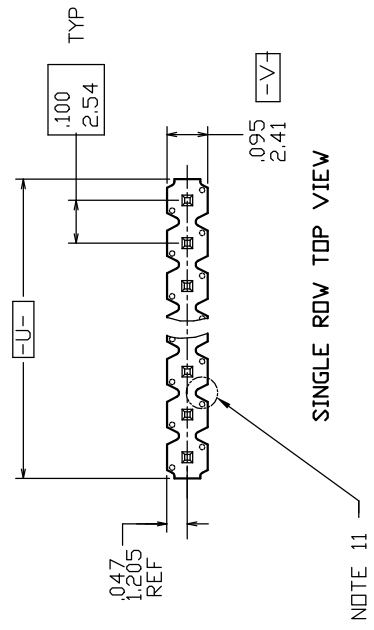
mat'l. code NOTES 2 & 3	surface ISO 1302	tolerance ISO 406 ISO 101	projection BERGSTIK
DF	tolerances unless otherwise specified		title BERGSTIK® II HEADER
	angles linear	.xx±0/xx±3 .xxx±0.00c/xx±.15 .xxxx±0.00z/xxx±.005	.100/2.54cc SR STRAIGHT
	0°±2°		dwg no sheet 2 of 8 size
	Dr T: BREWBAKER	01/05/95	68000
	engr T: HANNA	01/05/95	Product Customer
	chr J: MURPHY	01/05/95	Drawing
	pppd T: HANNA	01/05/95	
sheet index	revision sheet		



# REEL PACKING DIMENSIONS



## BERGSTRIIP™ HEADER



mat'l. code NOTES 2 & 3	surface ISO 1302	tolerance ISO 406 ISO 1101	projection product family BERGSTIK
tr. tec'n no DF	date	tolerances unless otherwise specified linear .xxx±0.006/xx±.15 angular .xx±0.1/xx±3 xxxx±0.002/xxxx±.005	title BERGSTIK® II HEADER .100/2.54cc SR STRAIGHT
sheet index	revision sheet	scale 1:1	dwg no sheet 3 of 8 size A3
		dr T.BREWBAKER 01/05/95	type Product Customer Drawing
		enr T.HANNA 01/05/95	
		chr J.MURPHY 01/05/95	
		appd T.HANNA 01/05/95	

PRODUCT NUMBER	TOTAL PIN LGTH		TAIL LENGTH		MATING LENGTH		BERGSTRIPTM		LF OPTION
	DIM F	DIM G	DIM F	DIM G	DIM H	DIM H	AVAILABLE	NOTES	
55492	0.315	0.095	2.41	0.120	3.05		NO	DB	
60017	0.620	0.210	5.33	0.310	7.87		NO	DB	
60018	0.660	0.250	6.35	0.310	7.87		NO	DB	
63334	0.435	0.095	2.41	0.240	6.10		NO	DB	
68000	0.425	0.095	2.41	0.230	5.84		YES	NOTE 1,12	
68001	0.450	0.120	3.05	0.230	5.84	POLY BAGS/TUBES	YES		
68002	0.480	0.150	3.81	0.230	5.84	POLY BAGS	YES		
68003	0.525	0.195	4.95	0.230	5.84	POLY-BAGS	NO	DB	
68004	0.525	0.107	2.72	0.318	8.08	POLY BAGS	YES		
68024	0.568	0.150	3.81	0.318	8.08	POLY BAGS	YES		
68031	0.513	0.183	4.65	0.230	5.84	POLY BAGS	NO		
68032	0.543	0.213	5.41	0.230	5.84	POLY-BAGS	NO	DB	
68033	0.708	0.473	12.01	0.135	3.43	POLY BAGS	NO		
68415	0.615	0.115	2.92	0.400	10.16	POLY BAGS	NO		
68416	0.813	0.483	12.27	0.230	5.84	POLY BAGS	NO		
68418	0.730	0.400	10.16	0.230	5.84	POLY BAGS	NO		
68422	0.631	0.213	5.41	0.318	8.08	POLY BAGS	NO		
68443	0.755	0.425	10.80	0.230	5.84	POLY-BAGS	NO	DB	
68456	0.825	0.115	2.92	0.610	15.49	POLY-BAGS	NO	DB	
68457	0.548	0.130	3.30	0.318	8.08	POLY BAGS	NO		
68465	0.925	0.595	15.11	0.230	5.84	POLY-BAGS	NO	DB	
68466	0.925	0.128	3.25	0.697	17.70	POLY BAGS	NO		
68472	0.913	0.413	10.49	0.400	10.16	POLY-BAGS	NO	DB	
68479	0.718	0.388	9.86	0.230	5.84	POLY-BAGS	NO	DB	
68483	0.835	0.417	10.59	0.318	8.08	POLY-BAGS	NO	DB	
68487	0.705	0.110	2.79	0.495	12.57	POLY-BAGS	NO	DB	
68489	1.095	0.765	19.43	0.230	5.84	POLY-BAGS	NO	DB	
68490	1.025	0.695	17.65	0.230	5.84	POLY-BAGS	NO	DB	
68497	0.612	0.085	2.16	0.427	10.85	POLY BAGS	NO		
68603	0.555	0.120	3.05	0.335	8.51	POLY BAGS	NO		
68604	0.600	0.120	3.05	0.380	9.65	POLY BAGS	NO	NOTE 1,12	

mat'l. code NOTES 2 & 3	surface ISO 1302	tolerance ISO 100	projection	product family
DF	tolerances unless otherwise specified	ISO 100	1st angle	BERGSTIK
	angles	.XX±0/XX±3	INCH/MM	title
	0°±2'	.XXX±0.006/XX±15	Scale 1:1	BERGSTIK® II HEADER
	dr T:BREWBAKER	.XXX±0.002/XX±005		.100/2.54cc SR STRAIGHT
	enr T:HANNA			dwg no sheet 4 of 8 size
	chr J:MURPHY			68000 A3
	pppd T:HANNA			type Product Customer Drawing
sheet index	revision sheet			

PRODUCT NUMBER	TOTAL PIN LGTH		TAIL LENGTH		MATING LENGTH		BERGSTRIPTM AVAILABLE		LF OPTION
	DIM F	DIM F	DIM G	DIM G	DIM H	DIM H	ENGLISH	METRIC	
68629-XY	0.621	15.77	0.203	5.16	0.318	8.08	POLY BAGS	NO	OB
68630-XY	0.603	15.32	0.273	6.93	0.230	5.84	POLY BAGS	NO	OB
68631-XY	0.703	17.86	0.203	5.16	0.400	10.16	POLY BAGS	NO	OB
68632-XY	0.743	18.87	0.413	10.49	0.230	5.84	POLY BAGS	NO	OB
68633-XY	0.643	16.33	0.225	5.72	0.318	8.08	POLY BAGS	NO	NOTE 1,12
68634-XY	1.013	25.73	0.683	17.35	0.230	5.84	POLY BAGS	NO	OB
68642-XY	0.913	23.19	0.583	14.81	0.230	5.84	POLY BAGS	NO	OB
68652-XY	1.470	37.34	0.670	17.02	0.700	17.78	POLY BAGS	NO	OB
68653-XY	0.735	18.67	0.095	2.41	0.540	13.72	POLY BAGS	NO	OB
68654-XY	1.050	26.67	0.670	17.02	0.280	7.11	POLY BAGS	NO	OB
68655-XY	0.708	17.98	0.290	7.37	0.318	8.08	POLY BAGS	NO	OB
68656-XY	1.113	28.27	0.613	15.57	0.400	10.16	POLY BAGS	NO	OB
68657-XY	0.588	14.94	0.368	9.35	0.120	3.05	POLY BAGS	NO	OB
68658-XY	0.820	20.83	0.130	3.30	0.590	14.99	POLY BAGS	NO	OB
68659-XY	0.608	15.44	0.398	10.11	0.110	2.79	POLY BAGS	NO	OB
68686-XY	1.016	25.81	0.458	11.63	0.458	11.63	POLY BAGS	NO	OB
68689-XY	0.913	23.19	0.213	5.41	0.600	15.24	POLY BAGS	NO	OB
68705-XY	0.395	10.03	0.095	2.41	0.200	5.08	POLY BAGS	NO	OB
68717-XY	0.615	15.62	0.285	7.24	0.230	5.84	POLY BAGS	NO	OB
68730-XY	0.555	14.10	0.225	5.72	0.230	5.84	POLY BAGS	NO	OB
68731-XY	0.880	22.35	0.440	11.18	0.340	8.64	POLY BAGS	NO	OB
68735-XY	1.016	25.81	0.520	13.21	0.396	10.06	POLY BAGS	NO	OB
68755-XY	1.166	29.62	0.533	13.54	0.533	13.54	POLY BAGS	NO	OB
68760-XY	0.803	20.40	0.353	8.97	0.350	8.89	POLY BAGS	NO	OB
68762-XY	0.588	14.94	0.213	5.41	0.275	6.99	POLY BAGS	NO	OB
68771-XY	0.470	11.94	0.100	2.54	0.270	6.86	POLY BAGS	NO	NOTE 1,12
68781-XY	0.691	17.55	0.273	6.93	0.318	8.08	POLY BAGS	NO	OB

mat'l. code NOTES 2 & 3	surface ISO 1302	tolerance ISO 406 ISO 101	projection	product family
DF	tolerances unless otherwise specified			BERGSTIK
	angles	.XX±01/XX±3	INCH/MM	title
	linear	.XXX±0.006/XX±.15	Scale 1:1	BERGSTIK® II HEADER
	0±2°	.XXX±0.002/XX±.005		.100/2.54cc SR STRAIGHT
	dr T.BREWBAKER	01/05/95	dwg no	sheet 5 of 8 size
	enr T.HANNA	01/05/95		68000
	chr J.MURPHY	01/05/95		Product Customer
	appd T.HANNA	01/05/95		Drawing
sheet index	revision sheet			

PRODUCT NUMBER	TOTAL PIN LGTH		TAIL LENGTH		MATING LENGTH		BERGSTRIPTM AVAILABLE	LF OPTION
	DIM F	DIM F	DIM G	DIM G	DIM H	DIM H		
68795-XYX	0.500	12.70	0.062	1.57	0.338	8.59	NO	OB
68796-XYX	0.633	16.08	0.423	10.74	0.110	2.79	NO	OB
68797-XYX	0.413	10.49	0.213	5.41	0.100	2.54	NO	NOTE 1,12
68797-XYXR	0.413	10.49	0.100	2.54	0.213	5.41	NO	NOTE 1,12
69148-XYX	0.442	11.43	0.000	0.00	0.350	8.89	NO	OB
69152-XYX	0.720	18.29	0.120	3.05	0.500	12.70	NO	OB
69173-XYX	0.530	13.46	0.135	3.43	0.295	7.49	NO	OB
69188-XYX	0.751	19.08	0.333	8.46	0.318	8.08	NO	OB
69751-XYX	0.440	11.18	0.170	4.32	0.170	4.32	NO	OB
71417-XYX	0.664	16.87	0.115	2.92	0.449	11.40	NO	OB
72260-XYX	0.930	23.62	0.090	2.29	0.740	18.80	NO	OB
72323-XYX	1.200	30.48	0.100	2.54	1.000	25.40	NO	OB
72457-XYX	1.100	27.94	0.090	2.29	0.910	23.11	NO	OB
73698-XYX	1.100	27.94	0.120	3.05	0.880	22.35	NO	OB
74464-XYX	1.028	26.11	0.610	15.49	0.318	8.08	NO	OB
78240-XYX	0.663	16.84	0.333	8.46	0.230	5.84	NO	OB
78287-XYX	0.678	17.22	0.120	3.05	0.458	11.63	NO	OB
78290-XYX	1.250	31.75	0.500	12.70	0.650	16.51	NO	OB
78511-XYX	0.538	13.67	0.120	3.05	0.318	8.08	YES	OB
78595-XYX		NOT AVAILABLE		AVAILABLE				OB
78931-XYX		NOT AVAILABLE		AVAILABLE				OB
78958-XYX		NOT AVAILABLE		AVAILABLE				OB
78959-XYX		NOT AVAILABLE		AVAILABLE				OB
78977-XYX		NOT AVAILABLE		AVAILABLE				OB
78998-XYX	0.430	10.92	0.155	3.94	0.175	4.45	NO	OB
78999-XYX		NOT AVAILABLE		AVAILABLE				OB
79428-XYX	0.695	17.65	0.120	3.05	0.475	12.07	NO	OB
79849-XYX	0.620	15.75	0.120	3.05	0.400	10.16	NO	OB

mat'l. code NOTES 2 & 3	surface ISO 1302	tolerance ISO 406 ISO 101	projection	product family
DF	tolerances unless otherwise specified			BERGSTIK
	angles	.XX±0/.X±3	INCH/MM	title
	linear	.XXX±0.006/.XX±.15	Scale 1:1	BERGSTIK® II HEADER
	0±2°	.XXX±0.002/.XXX±.005		.100/2.54cc SR STRAIGHT
	dr T:BREWBAKER	01/05/95	dwg no	sheet 6 of 8 size
	enr T:HANNA	01/05/95		68000
	chr J:MURPHY	01/05/95	type	Product Customer Drawing
	ppd T:HANNA	01/05/95		
sheet index	revision sheet			

PRODUCT NUMBER	TOTAL PIN LGTH		TAIL LENGTH		MATING LENGTH		BERGSTRIPTM		LF OPTION
	DIM F	DIM F	DIM G	DIM G	DIM H	DIM H	AVAILABLE		
84918- <del>XXX</del>	0.340	8.64	0.120	3.05	0.120	3.05		YES	OB
84921- <del>XXX</del>	0.370	9.40	0.150	3.81	0.120	3.05		YES	OB
86506- <del>XXX</del>	0.440	11.18	0.120	3.05	0.220	5.59		YES	OB
86579- <del>XXX</del>	0.450	11.43	0.120	3.05	0.230	5.84	NOTE 9	NO	OB
86634- <del>XXX</del>			NOT AVAILABLE						NOTE 1,12
86635- <del>XXX</del>			NOT AVAILABLE						
86636- <del>XXX</del>			NOT AVAILABLE						
86637- <del>XXX</del>			NOT AVAILABLE						
86638- <del>XXX</del>			NOT AVAILABLE						
86793- <del>XXX</del>	0.900	22.86	0.100	2.54	0.700	17.78	NOTE 10	NO	OB
86899- <del>XXX</del>	1.020	25.91	0.120	3.05	0.800	20.32		NO	OB
87185- <del>XXX</del>	1.238	31.45	0.095	2.41	1.043	26.49	NOTE 10	NO	OB
87204- <del>XXX</del>	0.895	22.73	0.120	3.05	0.675	17.15		NO	OB
87241- <del>XXX</del>	1.000	25.40	0.120	3.05	0.780	19.81		NO	OB
87502- <del>XXX</del>	1.130	28.70	0.110	2.79	0.920	23.37		NO	OB
87827- <del>XXX</del>	0.380	9.65	0.120	3.05	0.160	4.06		NO	OB
87916- <del>XXX</del>	1.058	26.87	0.128	3.25	0.830	21.08		NO	NOTE 1,12
88005- <del>XXX</del>	0.536	13.61	0.095	2.41	0.341	8.66	NOTE 10	NO	OB
88706- <del>XXX</del>	0.900	22.86	0.100	2.54	0.700	17.78		NO	OB
89232- <del>XXX</del>	0.325	8.26	0.000	0.00	0.230	5.84	NOTE 7	NO	OB

mat'l. code NOTES 2 & 3	surface ISO 1302	tolerance ISO 406 ISO 101	projection	product family
DF	tolerances unless otherwise specified			BERGSTIK
	angles	.XX±01/XX±3	INCH/MM	title
	linear	.XXX±006/XX±15	Scale 1:1	BERGSTIK® II HEADER
	0±2°	.XXX±002/XX±05		.100/2.54cc SR STRAIGHT
	dr T:BREWBAKER	01/05/95	dwg no	sheet 7 of 8 size
	enr T:HANNA	01/05/95		68000
	chr J:MURPHY	01/05/95	type	Product Customer Drawing
sheet index	pppd T:HANNA	01/05/95		
revision sheet				

PRODUCT NUMBER	TOTAL PIN LGTH		TAIL LENGTH		MATING LENGTH		BERGSTRIIP AVAILABLE	LF OPTION
	DIM F	DIM G	DIM F	DIM G	DIM H	DIM H		
	ENGLISH METRIC	ENGLISH METRIC	ENGLISH METRIC	ENGLISH METRIC	ENGLISH METRIC	ENGLISH METRIC	PACKAGING NOTES	
90522	XYX	0.668	0.135	3.43	0.433	11.00	POLY BAGS	NOTE 10 OB
90547	XYX	0.508	0.095	2.41	0.313	7.95	POLY BAGS	NOTE 10 OB
90719	XYX	0.384	0.106	2.69	0.178	4.52	POLY BAGS	NO OB
90726	XYX	0.440	0.110	2.79	0.230	5.84	POLY BAGS	YES NOTE 1,12 OB
91276	XYX	1.225	0.225	5.72	0.900	22.86	POLY BAGS	NO OB
92020	XYX	0.372	0.094	2.39	0.178	4.52	POLY BAGS	NO OB
92418	XYX	0.572	0.118	3.00	0.354	8.99	POLY BAGS	NO OB
93167	XYX	0.394	0.059	1.50	0.235	5.97	POLY BAGS	NO OB
93287	XYXH	0.585	0.085	2.16	0.400	10.16	POLY BAGS	NO OB
93944	XYX	0.941	0.130	3.30	0.711	18.06	POLY BAGS	NO OB
93992	XYXH	0.415	0.085	2.16	0.230	5.84	POLY BAGS	NO OB
94063	XYX	0.376	0.138	3.51	0.138	3.51	POLY BAGS	NOTE 10 OB
94094	XYX	0.592	0.314	7.98	0.178	4.52	POLY BAGS	NO OB
94544	XYX	0.550	0.130	3.30	0.330	8.38	POLY BAGS	NOTE 10 OB
94611	XYXH	0.320	0.095	2.41	0.125	3.18	POLY BAGS	NO OB
95017	XYXH	0.560	0.060	1.52	0.400	10.16	POLY BAGS	NO OB
95103	XYX	1.004	0.433	11.00	0.531	13.49	POLY BAGS	NOTE 10 OB
95104	XYX	0.370	0.126	3.20	0.144	3.66	POLY BAGS	NOTE 10 OB
95648	XYXH	0.655	0.155	3.94	0.400	10.16	POLY BAGS	NO OB
95655	XYX	1.164	0.095	2.41	0.969	24.61	POLY BAGS	NOTE 10 OB
98001	XYXH	0.610	0.420	10.67	0.090	2.29	POLY BAGS	NO OB
98136	XYXH	0.475	0.095	2.41	0.280	7.11	POLY BAGS	NO OB
10004394	XYXH	0.290	0.095	2.41	0.095	2.41	POLY BAGS	NO OB
10076764	XYXH	0.479	0.114	2.9	0.265	6.75	POLY BAGS	YES OB
10103017	XYX	0.335	0.130	3.30	0.105	2.67	POLY BAGS	NOTE 1,12 OB
10121349	XYX	0.626	0.120	3.05	0.406	10.3	POLY BAGS/TAPE REEL	NO NOTE 1,12

mat'l. code		surface		tolerance		projection		product family	
NOTES 2 & 3		ISO 1302	ISO 406	ISO 101	ISO 406	ISO 101	ISO 101	ISO 101	ISO 101
DF	tr ecn no	dr	date	angles	linear	linear	linear	linear	linear
				0±2°	XXX±0.002/XXX±0.005	XXX±0.002/XXX±0.005	XXX±0.002/XXX±0.005	XXX±0.002/XXX±0.005	XXX±0.002/XXX±0.005
		dr	T.BREWBAKER	01/05/95					
		enr	T.HANNA	01/05/95					
		chr	J.MURPHY	01/05/95					
		ppd	T.HANNA	01/05/95					
sheet index	revision sheet								

product family	BERGSTIK
title	BERGSTIK® II HEADER
dwg no	.100/2.54cc SR STRAIGHT
sheet 8 of 8 size	A3
type	Product Customer Drawing