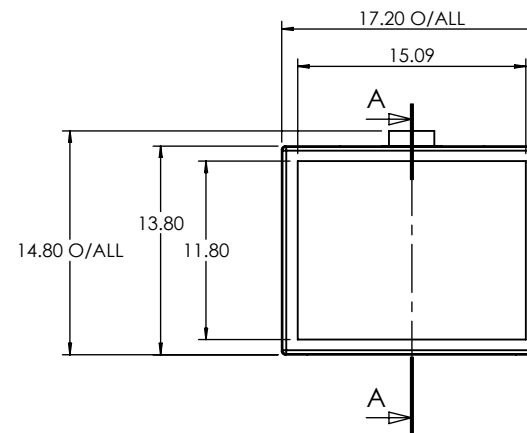
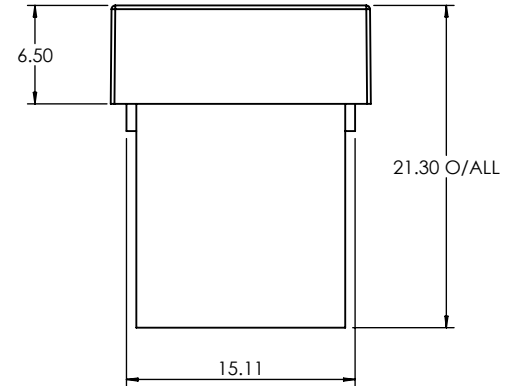
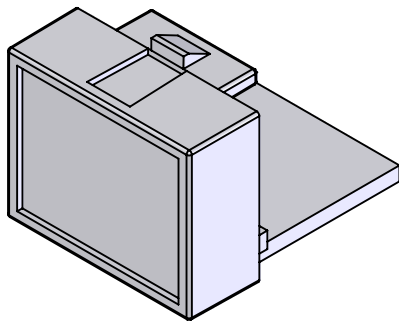


SECTION A-A



ISO VIEW
2:1



<p>CAMDENBOSS ELECTRONICS & ENCLOSURES</p> <p>JAMES CARTER RD, MILDENHALL, SUFFOLK. IP28 7DE TEL: 01638 716101 FAX: 01638 716554 EMAIL: Sales@CamdenBoss.com WEB: www.CamdenBoss.com</p>				UNLESS OTHERWISE SPECIFIED: DIMENSIONS ARE IN MILLIMETERS		DO NOT SCALE DRAWING		REVISION. <input type="radio"/>			
				GENERAL TOLERANCES +/- 0.2		TITLE: DIMENSION DRAWING FOR CNMB-1-TGS					
				FINISH. LIGHT SPARK		DWG NO. CNMB-1-TGS					
DRAWN IAN PAGANO				SIGNED I.P.		DATE 11/03/14		MATERIAL. PC UL - 94 V0		SCALE. 2:1	
CHKD -				-		-		PROJECTION.		SHEET 1 OF 1	

A4