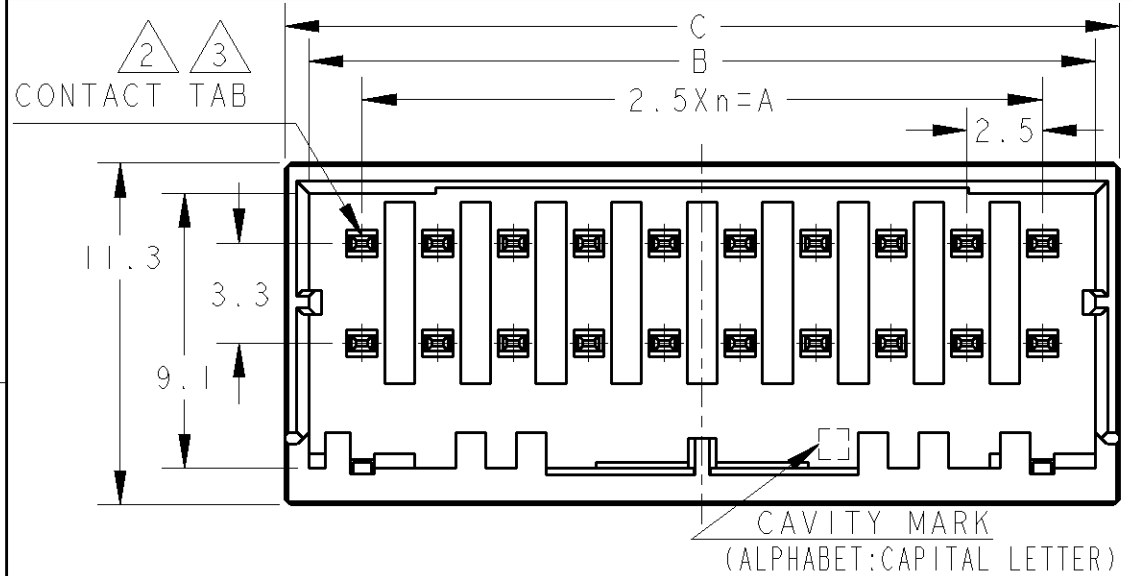
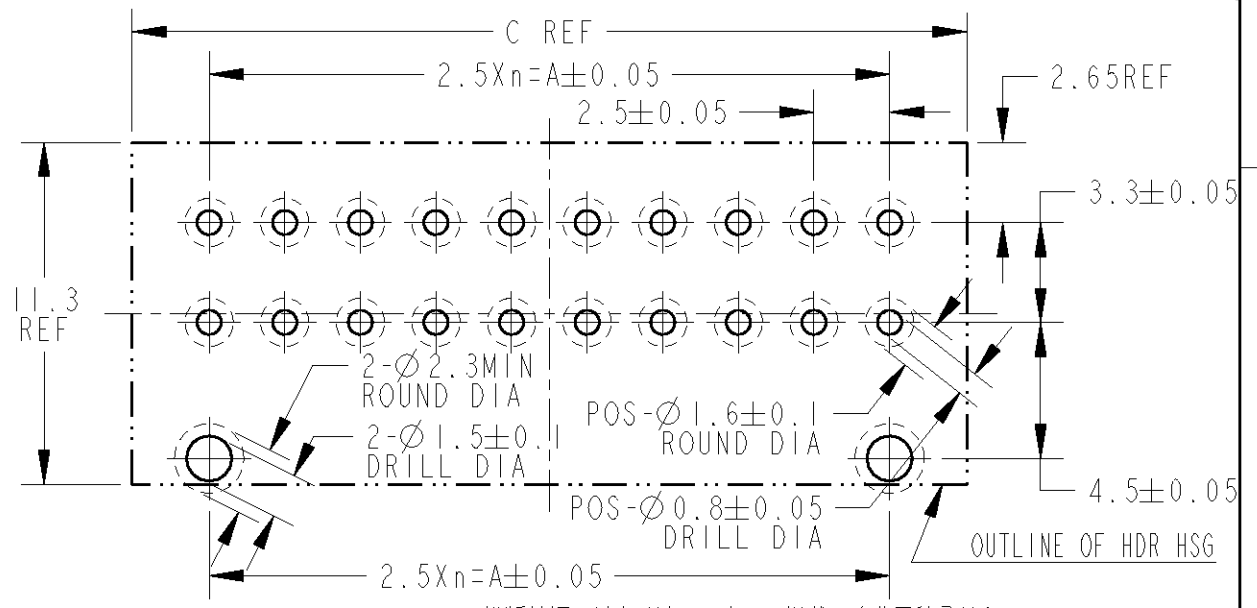


THIS DRAWING IS UNPUBLISHED. RELEASED FOR PUBLICATION  
 © COPYRIGHT — ALL RIGHTS RESERVED.

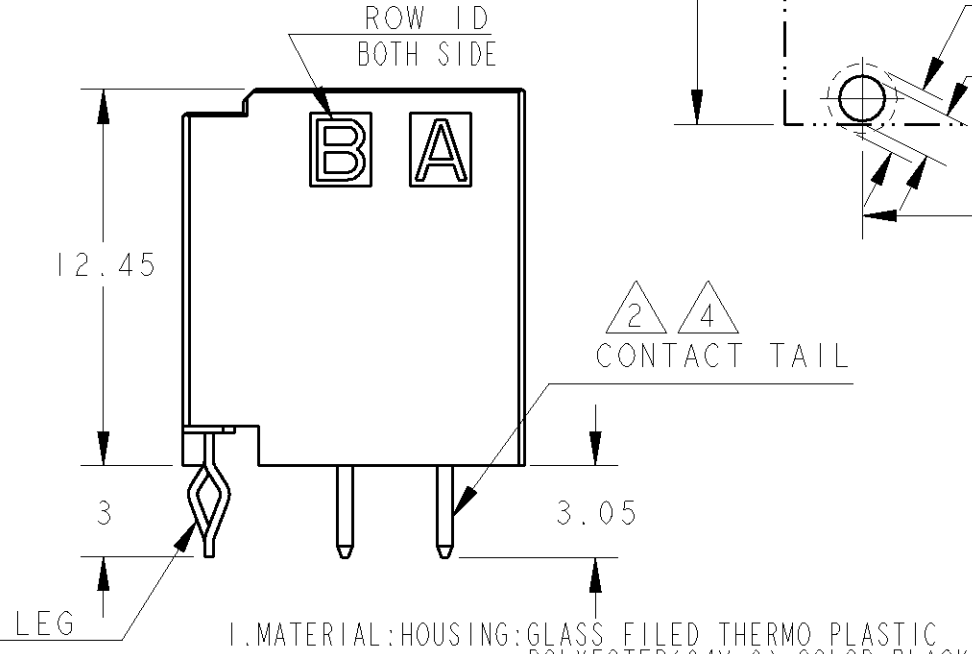
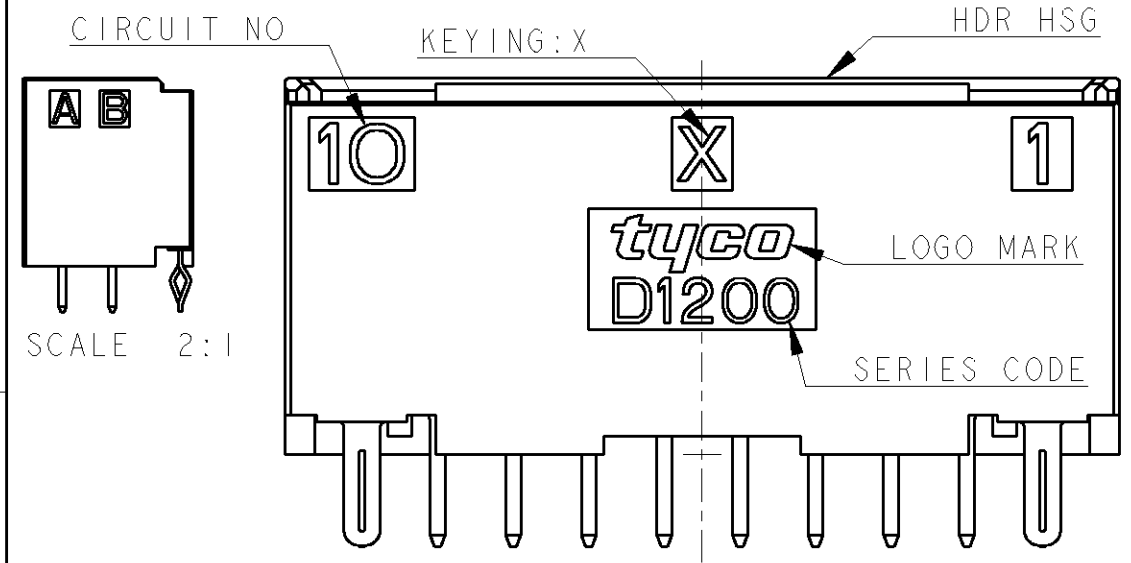
LOC	DIST	REVISIONS					
J	-	P	LTR	DESCRIPTION	DATE	DWN	APVD
		A5		REVISED PER ECO-11-005030	26APR11	RK	HMR



1. 材料:ハウジング:ガラス入り熱可塑性ポリエステル樹脂(94V-0)、色:黒  
 コンタクト:銅合金  
 リテンションレグ:錫めっき銅合金
- △2. めっき:全面:ニッケル下地めっき1.27μm以上  
 △3. めっき:接触部 △2の上に金めっき0.38μm以上  
 △4. めっき:コンタクト半田付部: △2の上に錫めっき2μm以上  
 5. 文字の形状、大きさ、および位置については、大略を示すものであり、詳細を示すものではありません。  
 6. Y KEY形状は、X KEY形状と左右対称

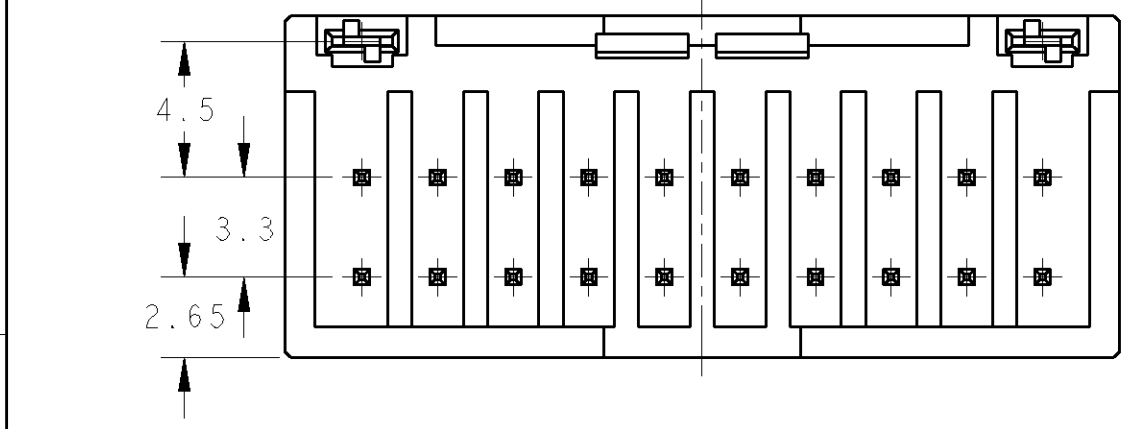


推奨基板取付穴寸法:コネクタ搭載面(非累積公差)  
 PC基板厚:1.0~1.6±0.1  
 RECOMMEND PC BOARD HOLE PATTERN  
 : CONNECTOR MOUNT SIDE (NOT ACCUMULATE TOLERANCE)  
 PC BOARD THICKNESS : 1.0~1.6±0.1

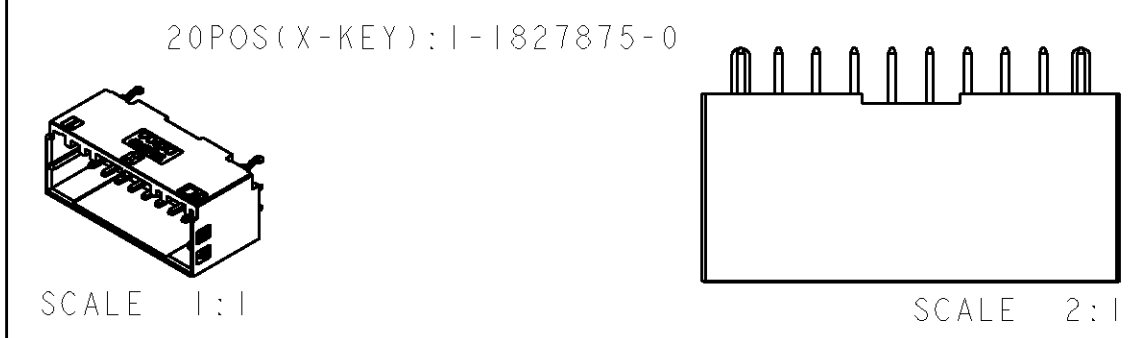


1. MATERIAL: HOUSING: GLASS FILLED THERMO PLASTIC POLYESTER (94V-0), COLOR: BLACK  
 CONTACT: COPPER ALLOY  
 RETENTION LEG: PRE-TIN COPPER ALLOY

- △2. FINISH (ALL OVER): NICKEL PL. 1.27μm MIN  
 △3. FINISH (CONTACT AREA): GOLD PL. 0.38μm MIN AFTER △2  
 △4. FINISH (CONTACT TAIL): TIN PL. 2μm MIN AFTER △2  
 5. THE SHAPE, SIZE AND POSITION OF THE CHARACTER SHOW THE OUTLINE. THEY DON'T SHOW DETAILS.  
 6. THE KEYING ARRANGEMENT OF "Y" IS SYMMETRIC WITH "X".



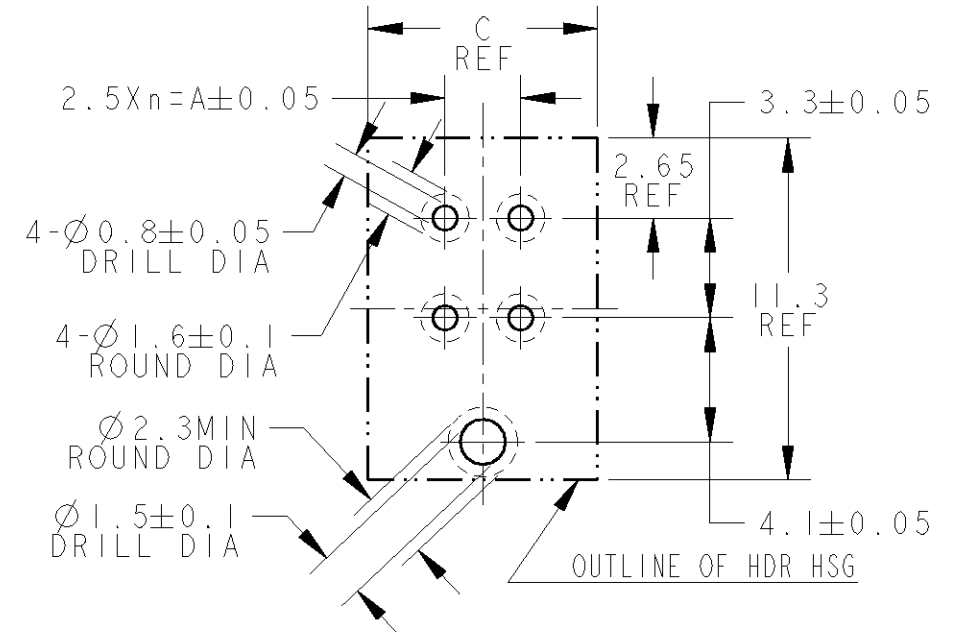
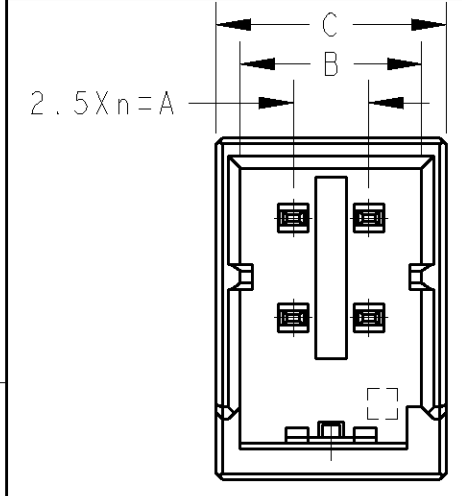
20	Y	9	22.5	26.0	27.6	2-1827875-0
20	X	9	22.5	26.0	27.6	1-1827875-0
16	Y	7	17.5	21.0	22.6	2-1827875-8
16	X	7	17.5	21.0	22.6	1-1827875-8
12	Y	5	12.5	16.0	17.6	2-1827875-6
12	X	5	12.5	16.0	17.6	1-1827875-6
10	Y	4	10.0	13.5	15.1	2-1827875-5
10	X	4	10.0	13.5	15.1	1-1827875-5
8	Y	3	7.5	11.0	12.6	2-1827875-4
8	X	3	7.5	11.0	12.6	1-1827875-4
6	Y	2	5.0	8.5	10.1	2-1827875-3
6	X	2	5.0	8.5	10.1	1-1827875-3
4	Y	1	2.5	6.0	7.6	2-1827875-2
4	X	1	2.5	6.0	7.6	1-1827875-2
POS	KEY	n	A	B	C	PART NO



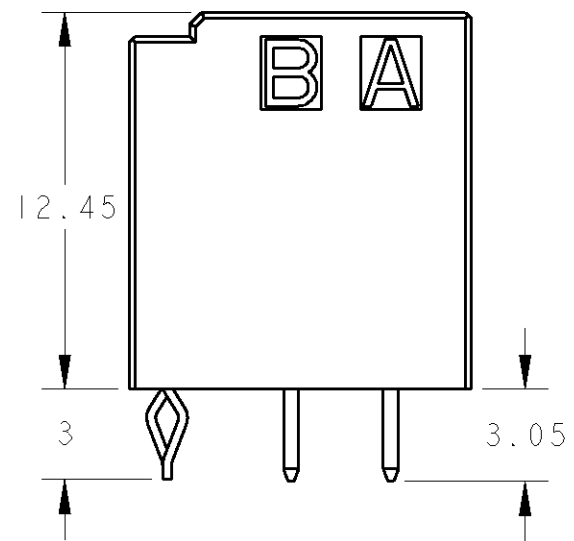
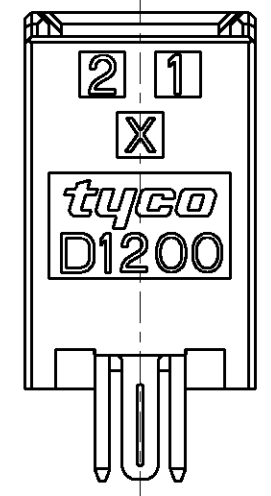
DWN T. KUDO 14JAN2005		TE Connectivity	
CHK D. MITSUGI 14JAN2005			
APVD D. MITSUGI 14JAN2005		NAME 名称	
PRODUCT SPEC 108-78268		DYNAMIC D1200D 2.5mm PITCH HDR ASSY (V-TYPE) 4-20POS	
APPLICATION SPEC 114-5377		RESTRICTED TO	
MATERIAL 仕上		SIZE A3	CAGE CODE 00779
DIMENSIONS: 単位: 概 mm		DRAWING NO 番号 C=1827875	
TOLERANCES UNLESS OTHERWISE SPECIFIED: 一般公差 ±0.3, ±5°		SCALE 尺度 4:1	
0-PLC ±		SHEET 1 OF 3	
1-PLC ±0.5		REV A5	
2-PLC ±0.13		CUSTOMER DRAWING	
3-PLC ±0.013			
4-PLC ±0.0001			
ANGLES ±			

THIS DRAWING IS UNPUBLISHED. RELEASED FOR PUBLICATION  
COPYRIGHT - ALL RIGHTS RESERVED.

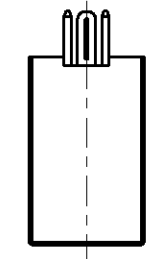
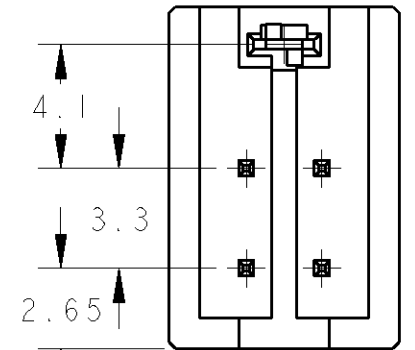
LOC	DIST	REVISIONS					
		P	LTR	DESCRIPTION	DATE	DWN	APVD
J	-			SEE SHEET 1			



推奨基板取付穴寸法: コネクタ搭載面 (非累積公差)  
PC基板厚: 1.0~1.6±0.1  
RECOMMEND PC BOARD HOLE PATTERN  
: CONNECTOR MOUNT SIDE (NOT ACCUMULATE TOLERANCE)  
PC BOARD THICKNESS : 1.0~1.6±0.1

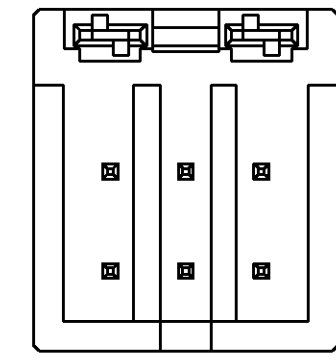
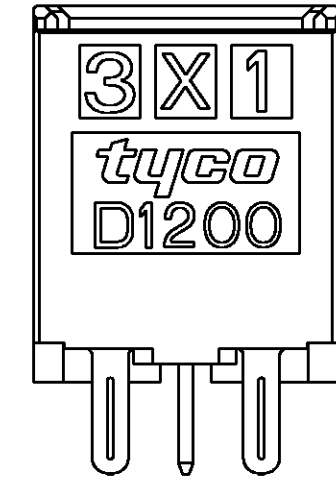
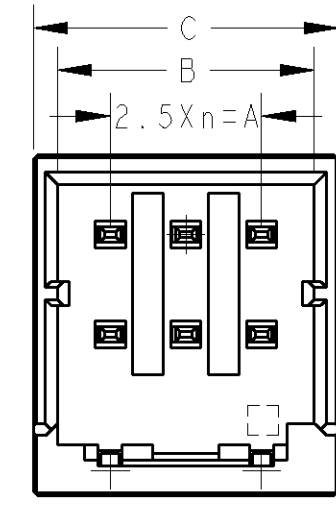


ONLY 4POS

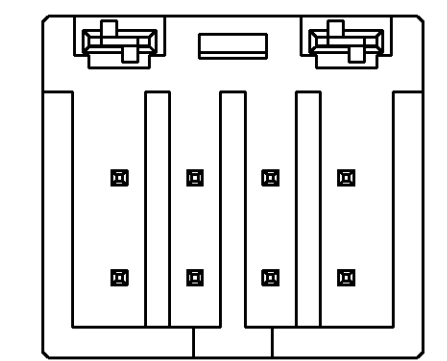
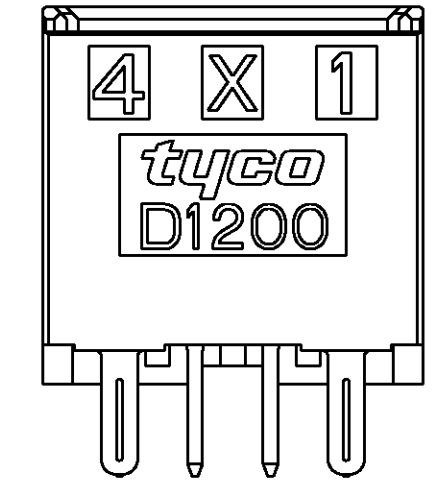
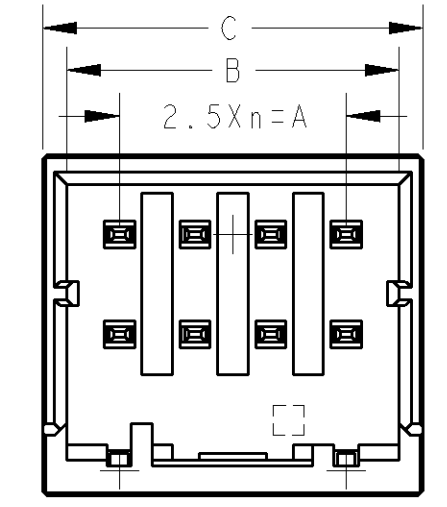


SCALE 2:1

4POS(X-KEY):1-1827875-2



6POS(X-KEY):1-1827875-3



8POS(X-KEY):1-1827875-4

DIMENSIONS:		TOLERANCES UNLESS OTHERWISE SPECIFIED:		DWN T. KUDO 14JAN2005		TE Connectivity	
		0 PLC ±		CHK D. MITSUGI 14JAN2005			
MATERIAL		FINISH		APVD D. MITSUGI 14JAN2005		NAME DYNAMIC D1200D 2.5mmPITCH HDR ASSY (V-TYPE) 4-20POS	
		0 PLC ±		PRODUCT SPEC			
CUSTOMER DRAWING		108-78268		APPLICATION SPEC		SIZE	
		114-5377		WEIGHT		A300779	
				CAGE CODE		DRAWING NO	
				114-5377		C=1827875	
				SCALE		RESTRICTED TO	
				4:1		-	
				SHEET		REV	
				2 OF 3		A5	

THIS DRAWING IS UNPUBLISHED.

RELEASED FOR PUBLICATION

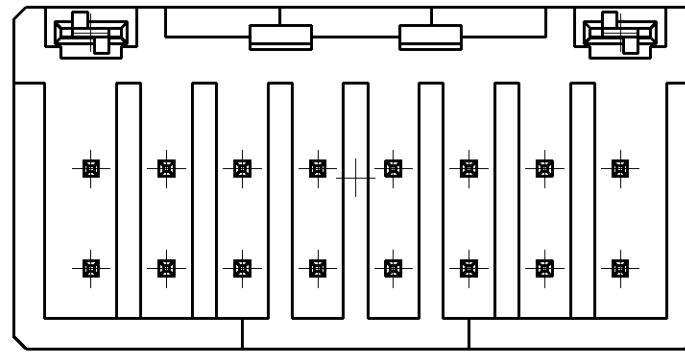
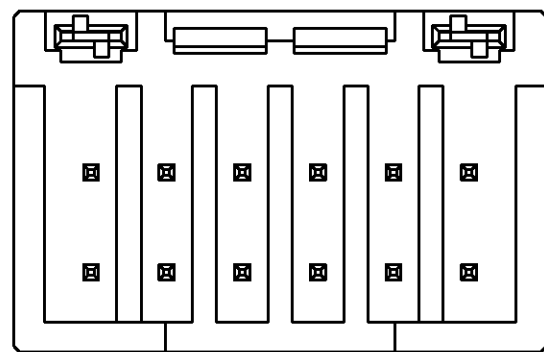
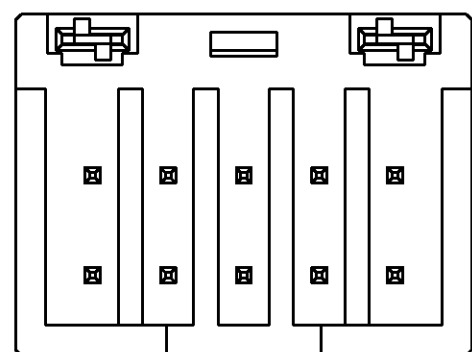
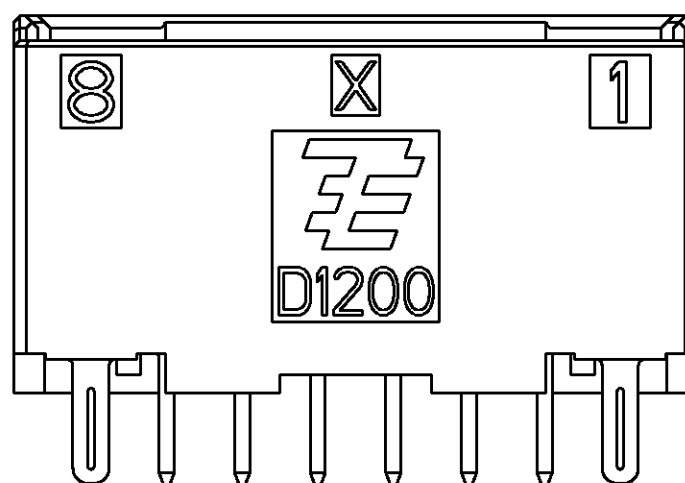
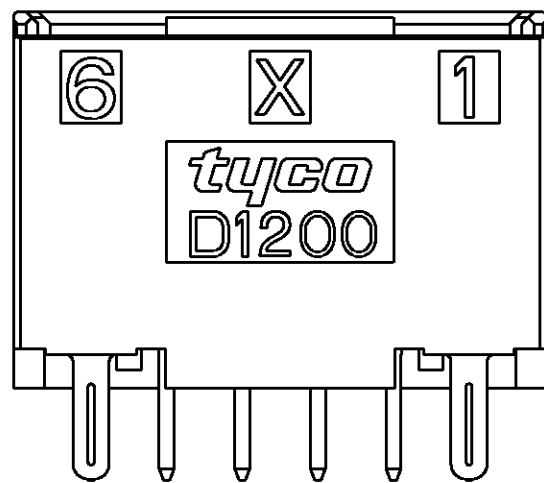
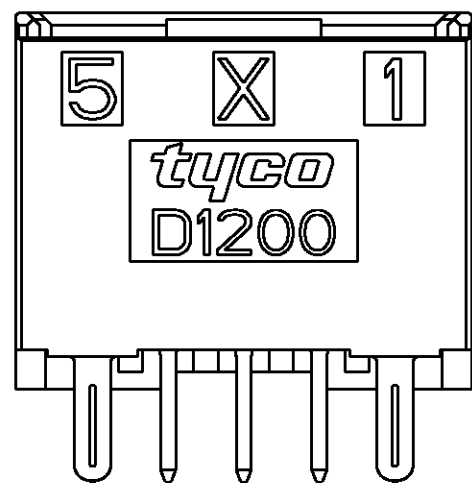
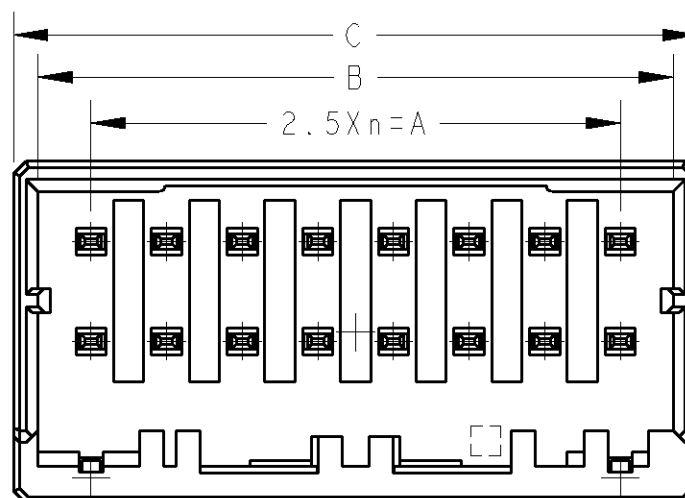
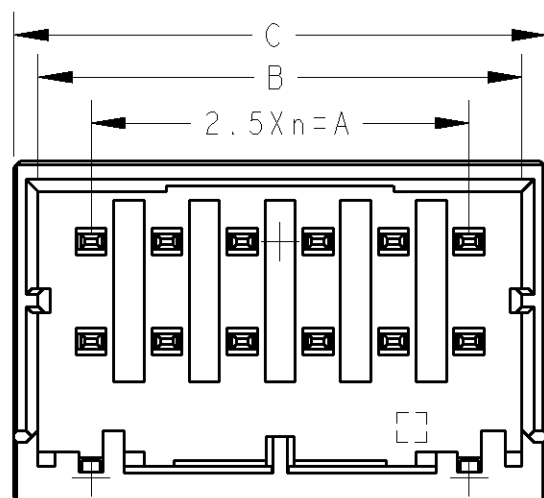
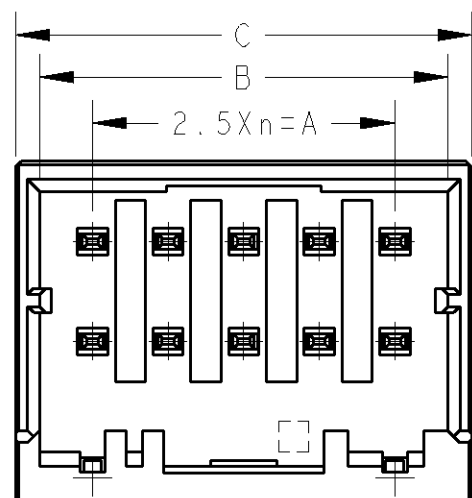
LOC J DIST -

REVISIONS

© COPYRIGHT -

ALL RIGHTS RESERVED.

P	LTR	DESCRIPTION	DATE	DWN	APVD
		SEE SHEET 1			



10POS(X-KEY):1-1827875-5

12POS(X-KEY):1-1827875-6

16POS(X-KEY):1-1827875-8

DIMENSIONS:	TOLERANCES UNLESS OTHERWISE SPECIFIED: 0 PLC ± 2 PLC ± 3 PLC ± 4 PLC ± ANGLES ±	DWN T.KUDO 14JAN2005	TE Connectivity NAME DYNAMIC D1200D 2.5mmPITCH HDR ASSY (V-TYPE) 4-20POS
		CHK D.MITSUGI 14JAN2005	
MATERIAL	FINISH	APVD D.MITSUGI 14JAN2005	SIZE A3
		PRODUCT SPEC 108-78268	CAGE CODE 00779
		APPLICATION SPEC 114-5377	DRAWING NO C-1827875
		WEIGHT -	RESTRICTED TO -
CUSTOMER DRAWING		SCALE 4:1	SHEET 3 OF 3 REV A5

SEE SHEET 1 OF 3