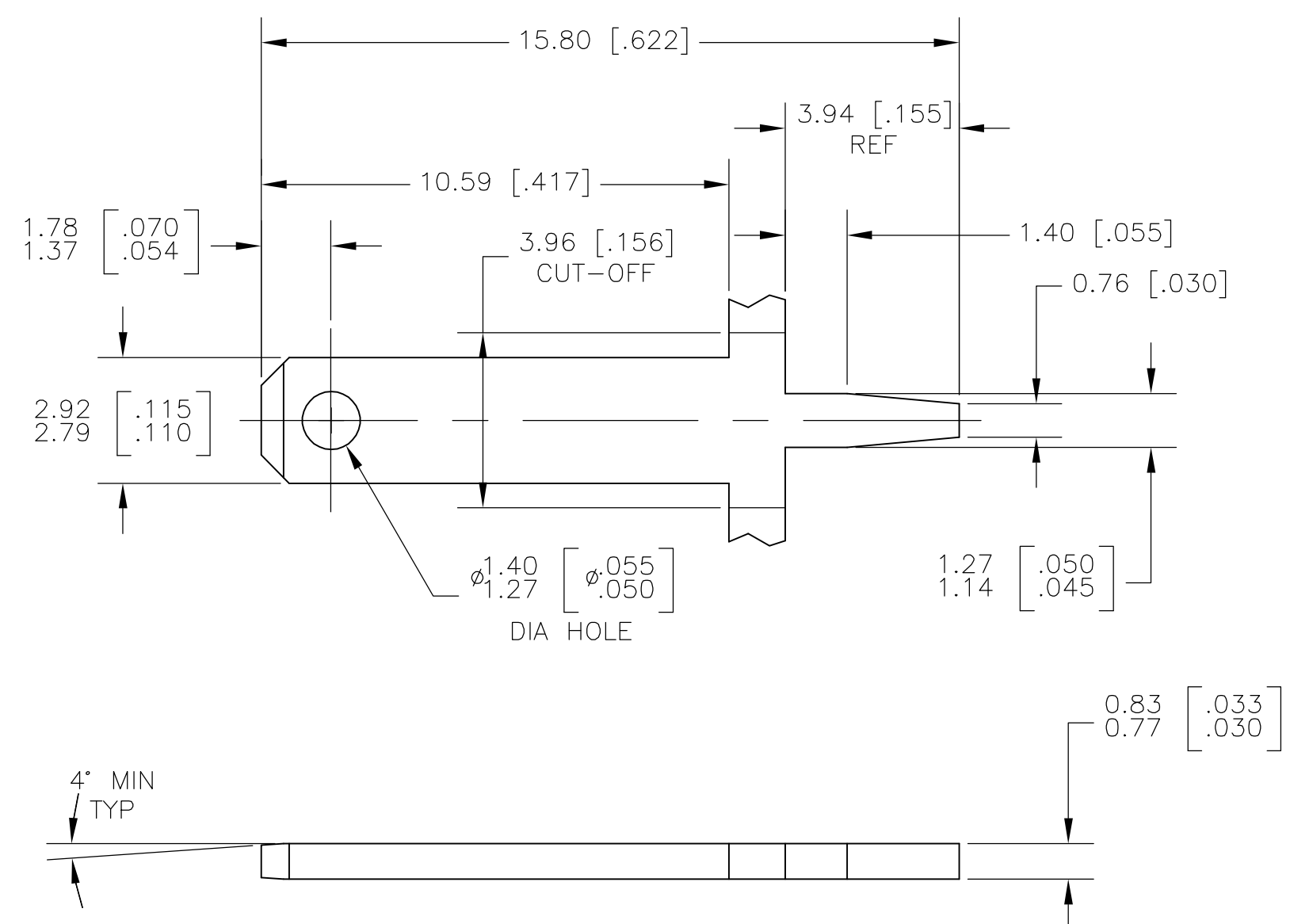


LOC	DIST	REVISIONS					
AF	50	P	LTR	DESCRIPTION	DATE	DWN	APVD
			F	REV PER ECR-05-017407	14APR06	HMR	KR



- 1 CONTINUOUS STRIP ON REELS
- 2 SOLDER TINE PLATED TO COMPLY WITH SOLDERABILITY SPEC IEC 60512-12-1.
- 3 FITS .048/.044 DIA HOLE IN PC BOARD. WHEN PLATED THRU HOLES ARE TO BE USED, ADJUSTMENT TO THE HOLE DIAMETERS SHOULD BE MADE TO ALLOW FOR THE PLATING.
- △4 0.00381 [.000150] MIN TIN PLATE OVER 0.00254 [.000100] MIN COPPER.
- △5 .000150 MIN NICKEL PLATE.
- △6 PRELIMINARY - NOT FOR PRODUCTION.

△5	TEMPER 3 STEEL	△6	63756-2
△4	082 BRASS		63756-1
FINISH	MATERIAL	PART NO.	
DWN	JR RUTH	12DEC00	
CHK	MS FEHER	12DEC00	
APVD	G PORTA	12DEC00	
PRODUCT SPEC	NAME		
APPLICATION SPEC	TAB, FASTON, P.C.BOARD, 2.79 [.110] SERIES		
114-2115	SIZE	CAGE CODE	DRAWING NO
WEIGHT	A3	00779	C-63756
CUSTOMER DRAWING	SCALE	SHEET	REV
	8:1	1 OF 1	F

THIS DRAWING IS A CONTROLLED DOCUMENT.	
DIMENSIONS: mm [INCHES]	TOLERANCES UNLESS OTHERWISE SPECIFIED:
	0 PLC ± -
	1 PLC ± -
	2 PLC ± 0.25 [.010]
	3 PLC ± -
	4 PLC ± -
	ANGLES ± -
MATERIAL SEE TABLE	FINISH SEE TABLE