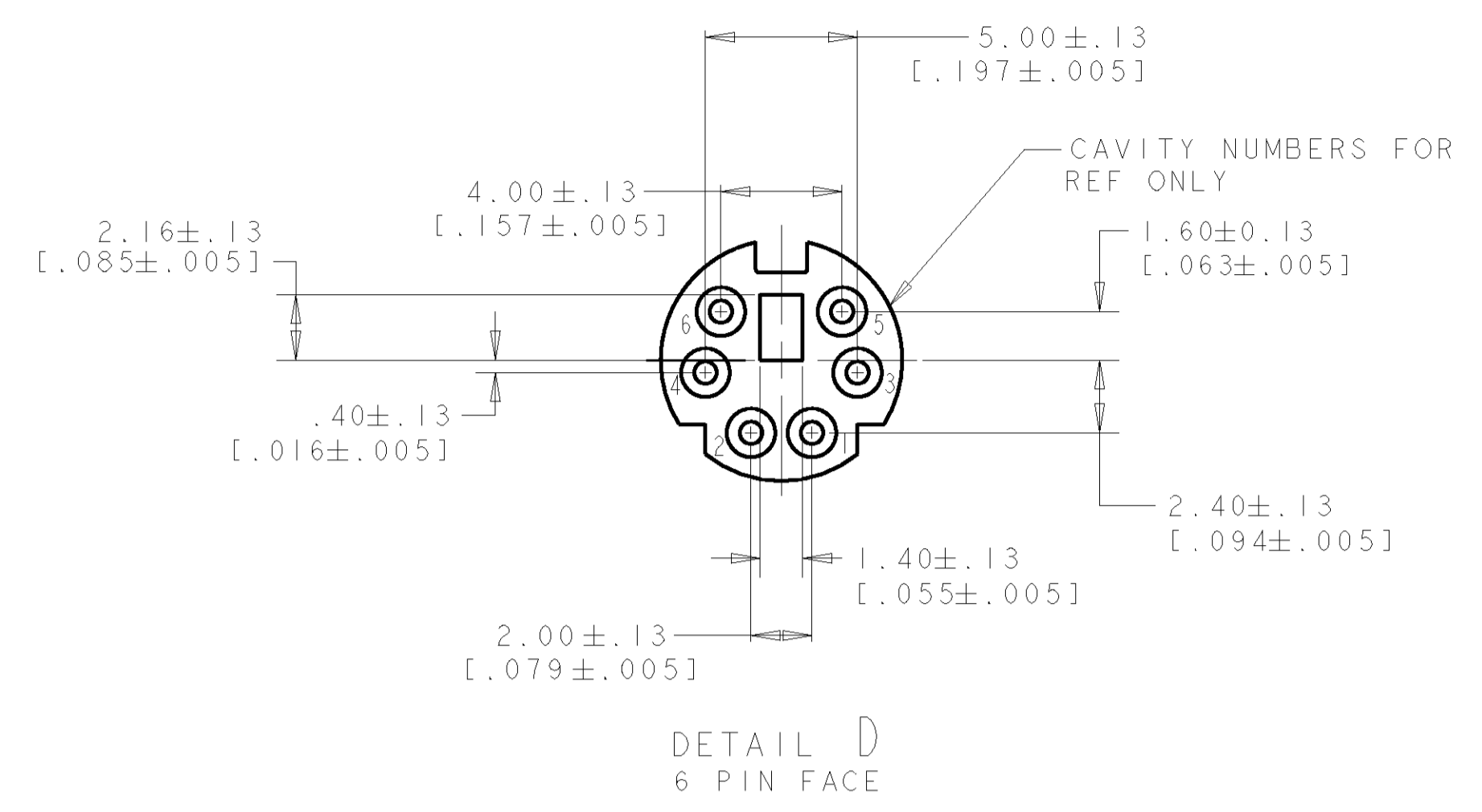
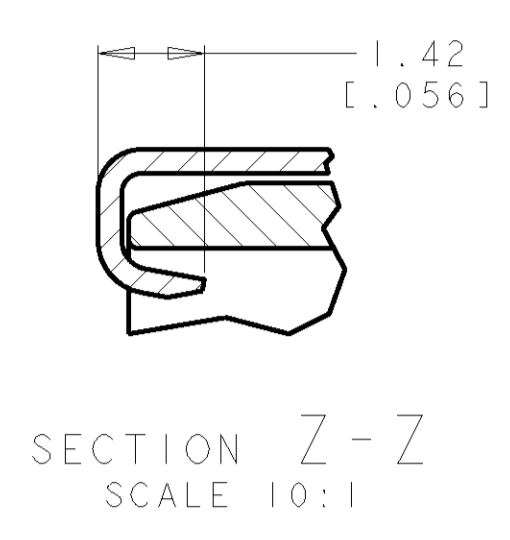
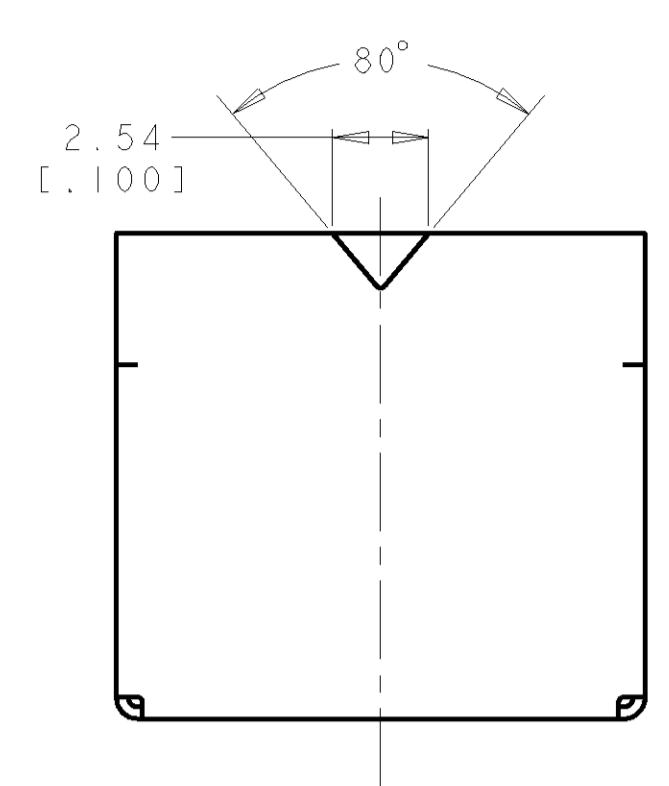
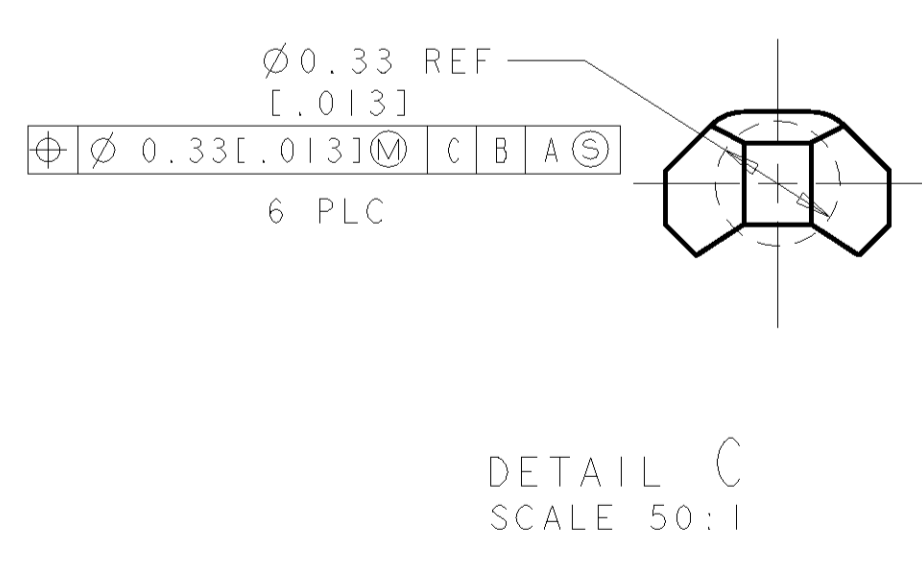
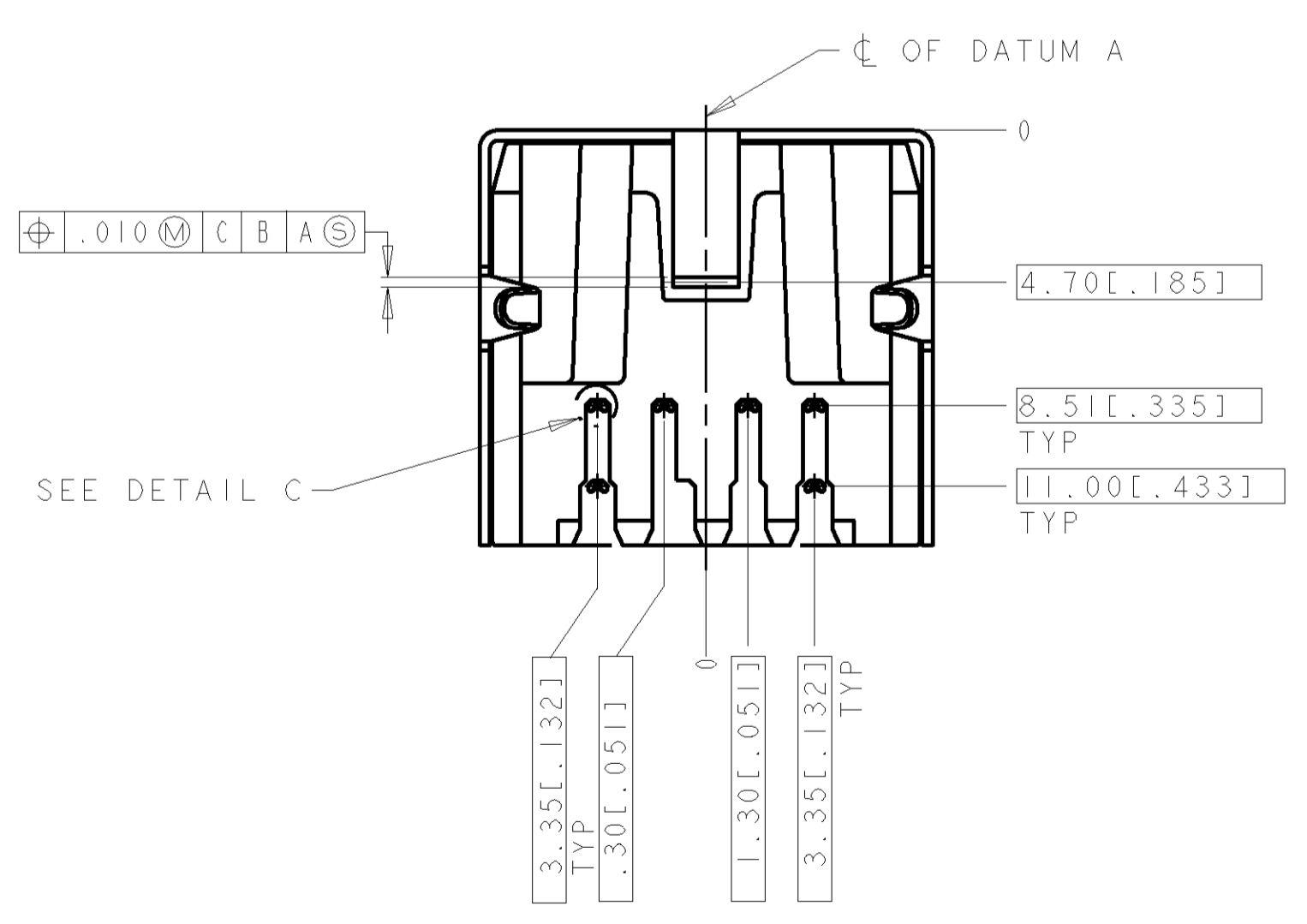
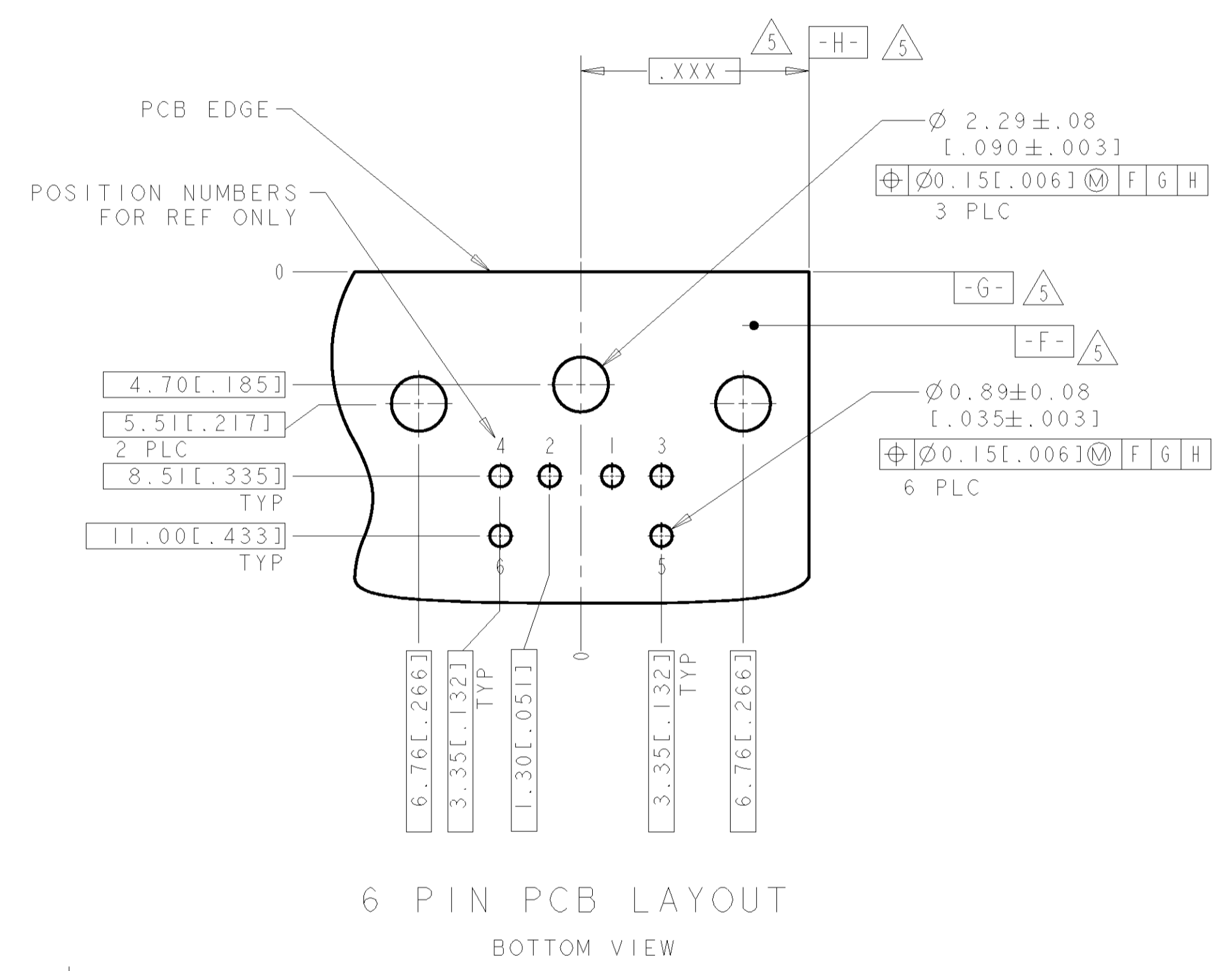
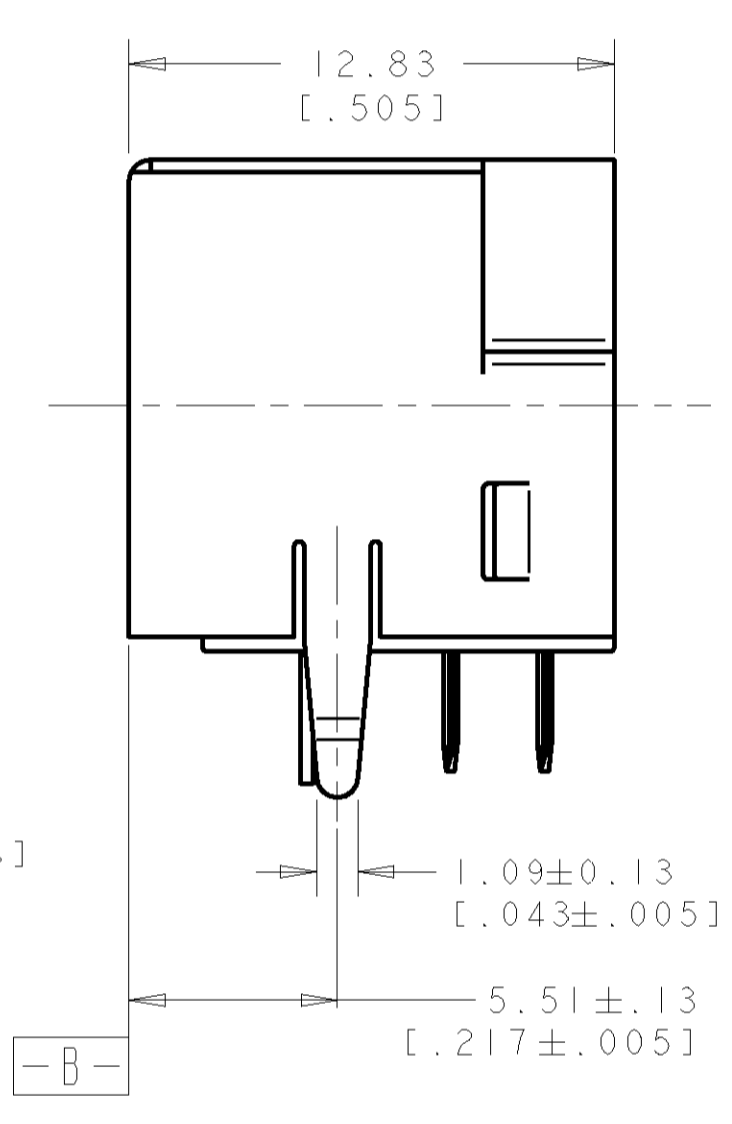
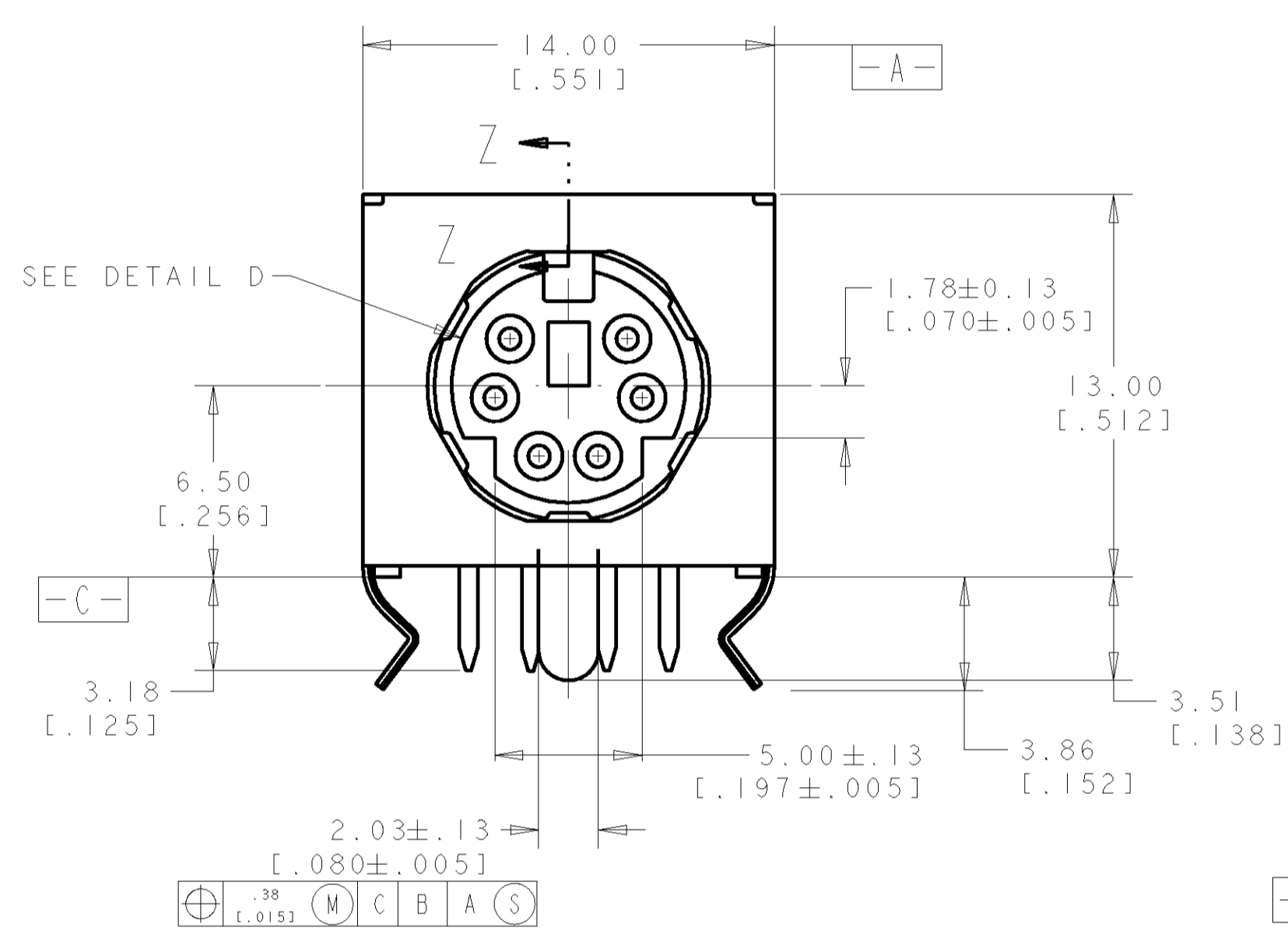


| LOC | DIST | REVISIONS | | | | |
|-----|------|-----------|-----|----------|-----|------|
| | | F | LTR | DATE | DWN | APPD |
| 0 | | | | 3 JAN 05 | LWY | LSF |



- 1 RECEPTACLE CONTACTS: COPPER ALLOY.
RECEPTACLE SHIELD: COPPER ALLOY.
HOUSING: THERMOPLASTIC, BLACK, 94V-0 RATED.
- 2 PLATING:
RECEPTACLE CONTACTS - GOLD FLASH PLATED ON MATING END, MATTE-TIN PLATED .0030 MIN [0.00120 MIN] THICK ON SOLDER TAIL ALL OVER .0013 MIN [0.00050 MIN] THICK NICKEL.
- 3 PLATING:
SHIELD: PRE-TIN PLATED
- 4 RECEPTACLE ASSEMBLY MATES WITH 6 PIN 9.00±.10 [0.354±.004] DIAMETER PLUG.
- 5 DATUMS AND BASIC DIMENSION SUPPLIED BY CUSTOMER.



P/N: 5749231-1 AS SHOWN

| | | | |
|---|--|--|--|
| <small>THIS DRAWING IS A CONTROLLED DOCUMENT FOR AMP INCORPORATED. ALL CHANGES MUST BE APPROVED BY THE CONTROLLED DOCUMENTS ORGANIZATION AND BE CONTROLLED FOR THE LATEST REVISION.</small> | | DWN: WYLEE CBY: SF LEONG APPD: SF LEONG | 03JAN2005 Tyco Electronics Singapore Pte. Ltd. |
| DIMENSIONS: mm [INCHES] | TOLERANCES UNLESS OTHERWISE SPECIFIED: 0 PLC ± 1 PLC ± 2 PLC ± 3 PLC ±0.38 [0.015] 4 PLC ± 5 PLC ± | NAME: RECEPTACLE ASSY W/ HOLD DOWN, 6 POS., RIGHT ANGLE, MINIATURE CIRCULAR DIN PRODUCT SPEC: 108-1225 APPLICATION SPEC: | SIZE: A1 CAGE CODE: 00779 DRAWING NO: 5749231 |
| MATERIAL | FINISH | WEIGHT | SCALE: 5:1 SHEET 1 OF 1 REV 0 |
| CUSTOMER DRAWING | | | |