

TMC 73B 32A - Thermomagnetic device circuit breaker



1019967

<https://www.phoenixcontact.com/us/products/1019967>

Please be informed that the data shown in this PDF document is generated from our Online Catalog. Please find the complete data in the user documentation. Our General Terms of Use for Downloads are valid.



Thermomagnetic device circuit breaker, number of positions: 3, connection method: Screw, cross section: 1 mm²- 35 mm², AWG: 18 - 2, mounting type: DIN rail: 35 mm

Commercial Data

Item number	1019967
Packing unit	1 pc
Note	Made to Order (non-returnable)
Sales Key	CL09
Product Key	CLA126
GTIN	4055626508542
Weight per Piece (including packing)	222.222 g
Weight per Piece (excluding packing)	222.222 g
Customs tariff number	85362010
Country of origin	CN

TMC 73B 32A - Thermomagnetic device circuit breaker



1019967

<https://www.phoenixcontact.com/us/products/1019967>

Technical Data

Product properties

Type	DIN rail module, one-piece
Product type	Thermomagnetic device circuit breakers
Product family	TMC 7
Number of positions	3
Mechanical service life	20000

Electrical properties

Service life electrical	6000
-------------------------	------

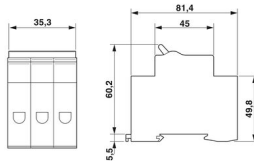
General

Operating voltage	277 V AC (277/480Y, 240D)
Rated current I_N	32 A
Tripping method	TM (thermomagnetic)
Rated short-circuit switching capacity I_{cn}	7.5 kA (277/480Y, 240D)
Fuse	B (curve)

Connection data

Tightening torque	... 2 Nm
Conductor cross section rigid	1 mm ² ... 35 mm ²
Cross section AWG	18 ... 2 (converted acc. to IEC)
Conductor cross section flexible	1 mm ² ... 35 mm ²
Connection method	Screw
Tightening torque, min	2 Nm
Conductor cross section flexible max.	35 mm ²

Dimensions

Dimensional drawing	
Width	52.9 mm

Environmental and real-life conditions

Ambient conditions

Degree of protection	IP20
Ambient temperature (operation)	-35 °C ... 70 °C
Humidity test	48 h, 95% RH, 40°C (IEC 60068-2-78)
Shock (operation)	30g (11 ms) (IEC 60068-2-11, test Ea)
Vibration (operation)	±0.38 mm (10-57 Hz), 5g (57...500 Hz) (Sinusoidal test to IEC)

TMC 73B 32A - Thermomagnetic device circuit breaker



1019967

<https://www.phoenixcontact.com/us/products/1019967>

	60068-2-6, Test Fc. 10 frequency cycles per axis)
--	---

Standards and regulations

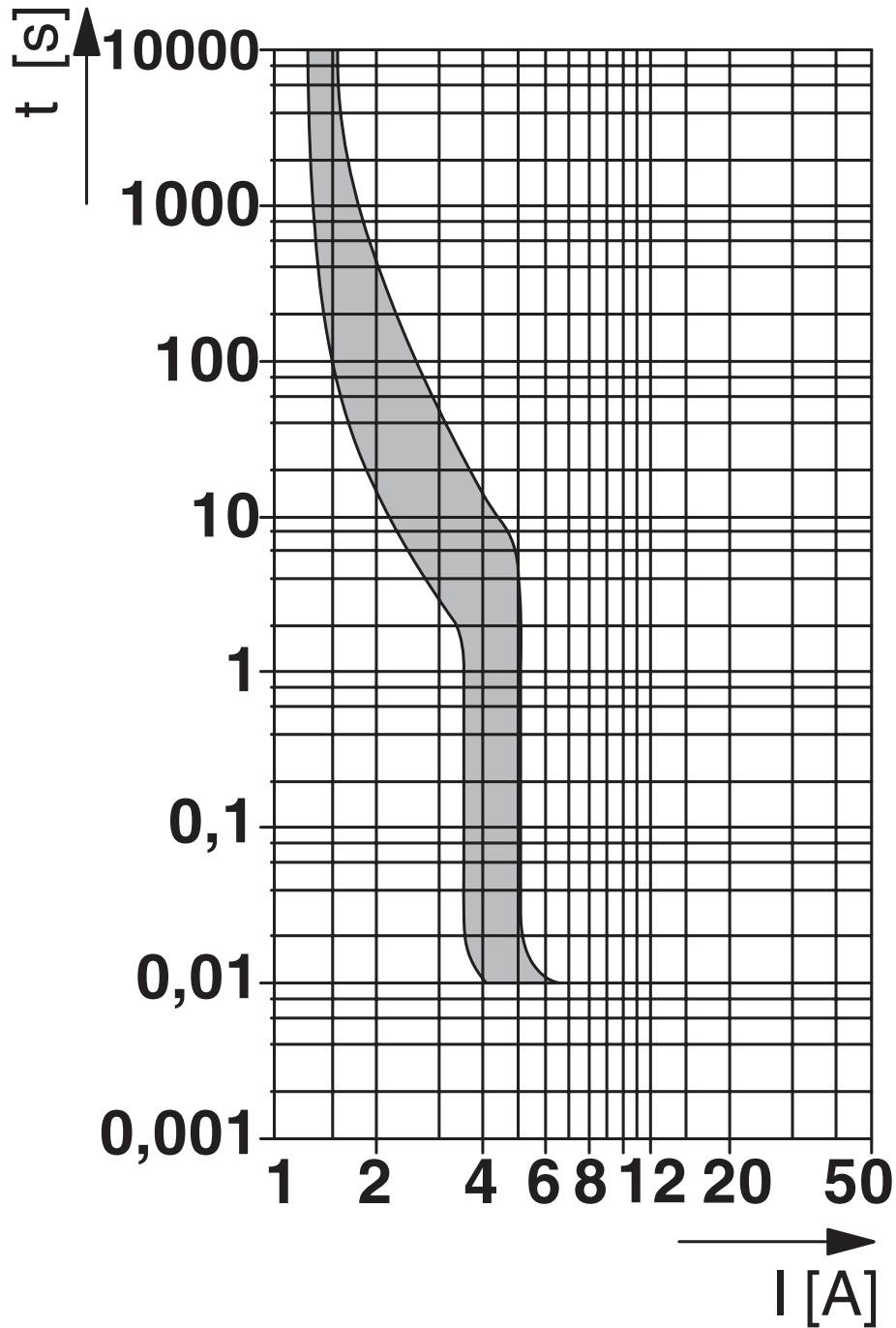
Standards/specifications	UL 1077
Standards/specifications	IEC 60947-2

Mounting

Mounting type	DIN rail: 35 mm
---------------	-----------------

Drawings

Diagram



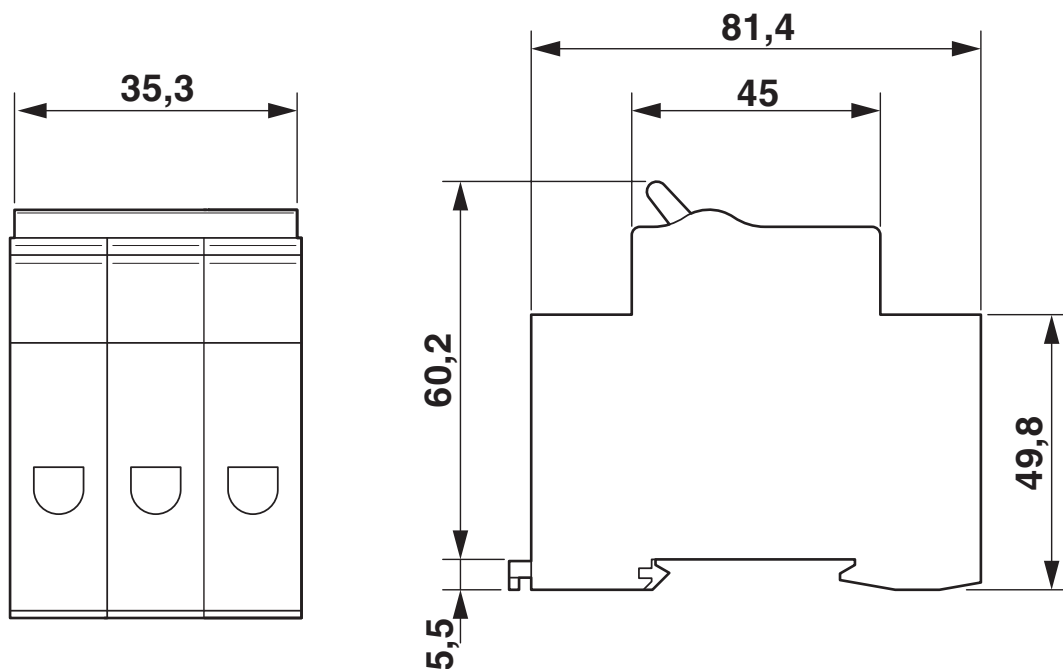
TMC 73B 32A - Thermomagnetic device circuit breaker



1019967

<https://www.phoenixcontact.com/us/products/1019967>

Dimensional drawing



TMC 73B 32A - Thermomagnetic device circuit breaker



1019967

<https://www.phoenixcontact.com/us/products/1019967>

Approvals

To download certificates, visit the product detail page: <https://www.phoenixcontact.com/us/products/1019967>



cUL Recognized

Approval ID: FILE E 140459



UL Recognized

Approval ID: FILE E 140459



TÜV Rheinland

Approval ID: R 50531587

TMC 73B 32A - Thermomagnetic device circuit breaker



1019967

<https://www.phoenixcontact.com/us/products/1019967>

Classifications

ECLASS

ECLASS-11.0	27141116
ECLASS-12.0	27141116
ECLASS-13.0	27250113

ETIM

ETIM 7.0	EC000899
----------	----------

UNSPSC

UNSPSC 21.0	39121410
-------------	----------

TMC 73B 32A - Thermomagnetic device circuit breaker



1019967

<https://www.phoenixcontact.com/us/products/1019967>

Environmental Product Compliance

REACH SVHC	Lead 7439-92-1
	Cadmium oxide 1306-19-0

TMC 73B 32A - Thermomagnetic device circuit breaker



1019967

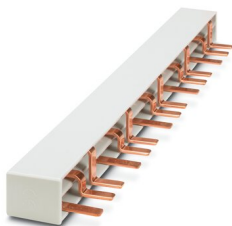
<https://www.phoenixcontact.com/us/products/1019967>

Accessories

TMC 7 B3 80 57 C - Wiring bridge

1022234

<https://www.phoenixcontact.com/us/products/1022234>

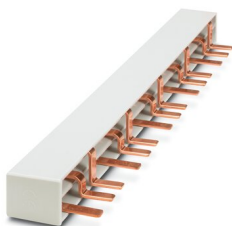


Bus bar for TMC 73... circuit breakers (three phase) 17.8 mm pitch, up to 57 positions. Rated for 80 A (end feed) 600 V AC/DC. UL 508 Listed for connection of UL 1077 rated circuit breakers.

TMC 7 B3 80 48 CA - Wiring bridge

1025400

<https://www.phoenixcontact.com/us/products/1025400>



Bus bar for TMC 73... circuit breakers (two phase) with auxilliary switch. 17.8 mm pitch, up to 48 positions. Rated for 80 A (end feed) 600 V AC/DC. UL 508 Listed for connection of UL 1077 rated circuit breakers.

TMC 73B 32A - Thermomagnetic device circuit breaker



1019967

<https://www.phoenixcontact.com/us/products/1019967>

TMC 7 B2/3 TERM - Terminal adapter

1022232

<https://www.phoenixcontact.com/us/products/1022232>



Feeder terminal adapter for TMC 72 or TMC 73 circuit breakers, two- or three-phase bus bars. Rated for 600 V AC/DC 115 A. Wire range 10...1/0 AWG. UL 508 Listed for connection to UL 1077 rated circuit breakers.

TMC 7 B2/3 END CAP - Wiring bridge end cover

1022229

<https://www.phoenixcontact.com/us/products/1022229>

Protective end covers for TMC 7 multi-pole bus bars



TMC 73B 32A - Thermomagnetic device circuit breaker



1019967

<https://www.phoenixcontact.com/us/products/1019967>

TMC 7 B BUS CAP - Protective cover

1022224

<https://www.phoenixcontact.com/us/products/1022224>



Protective covers for TMC 7 single-pole bus bars. Cuttable, five positions, yellow.

TMC 7/8 AUX - Thermomagnetic device circuit breaker

2908219

<https://www.phoenixcontact.com/us/products/2908219>



Thermomagnetic device circuit breaker, number of positions: 1, connection method: Screw, cross section: 1 mm²- 35 mm², AWG: 18 - 2, mounting type: Snaps on to side of circuit breaker

TMC 73B 32A - Thermomagnetic device circuit breaker



1019967

<https://www.phoenixcontact.com/us/products/1019967>

TMC 7/8 ALARM - Thermomagnetic device circuit breaker

2908220

<https://www.phoenixcontact.com/us/products/2908220>



Thermomagnetic device circuit breaker, number of positions: 1, connection method: Screw, cross section: 1 mm²- 35 mm², AWG: 18 - 2, mounting type: Snaps on to side of circuit breaker

TMC 7/8 12VDC SHNT - Thermomagnetic device circuit breaker

2908221

<https://www.phoenixcontact.com/us/products/2908221>



Thermomagnetic device circuit breaker, number of positions: 1, connection method: Screw, cross section: 1 mm²- 35 mm², AWG: 18 - 2, mounting type: Snaps on to side of circuit breaker

TMC 73B 32A - Thermomagnetic device circuit breaker



1019967

<https://www.phoenixcontact.com/us/products/1019967>

TMC 7/8 24VDC SHNT - Thermomagnetic device circuit breaker

2908222

<https://www.phoenixcontact.com/us/products/2908222>



Thermomagnetic device circuit breaker, number of positions: 1, connection method: Screw, cross section: 1 mm²- 35 mm², AWG: 18 - 2, mounting type: Snaps on to side of circuit breaker

TMC 7/8 48VDC SHNT - Thermomagnetic device circuit breaker

2908224

<https://www.phoenixcontact.com/us/products/2908224>



Thermomagnetic device circuit breaker, number of positions: 1, connection method: Screw, cross section: 1 mm²- 35 mm², AWG: 18 - 2, mounting type: Snaps on to side of circuit breaker

TMC 73B 32A - Thermomagnetic device circuit breaker



1019967

<https://www.phoenixcontact.com/us/products/1019967>

TMC 7/8 125VDC SHNT - Thermomagnetic device circuit breaker

2908225

<https://www.phoenixcontact.com/us/products/2908225>



Thermomagnetic device circuit breaker, number of positions: 1, connection method: Screw, cross section: 1 mm²- 35 mm², AWG: 18 - 2, mounting type: Snaps on to side of circuit breaker

TMC 7/8 120VAC SHNT - Thermomagnetic device circuit breaker

2908226

<https://www.phoenixcontact.com/us/products/2908226>



Thermomagnetic device circuit breaker, number of positions: 1, connection method: Screw, cross section: 1 mm²- 35 mm², AWG: 18 - 2, mounting type: Snaps on to side of circuit breaker

TMC 73B 32A - Thermomagnetic device circuit breaker



1019967

<https://www.phoenixcontact.com/us/products/1019967>

TMC 7/8 240VAC SHNT - Thermomagnetic device circuit breaker

2908227

<https://www.phoenixcontact.com/us/products/2908227>



Thermomagnetic device circuit breaker, number of positions: 1, connection method: Screw, cross section: 1 mm²- 35 mm², AWG: 18 - 2, mounting type: Snaps on to side of circuit breaker

TMC 7/8 277VAC SHNT - Thermomagnetic device circuit breaker

2908228

<https://www.phoenixcontact.com/us/products/2908228>



Thermomagnetic device circuit breaker, number of positions: 1, connection method: Screw, cross section: 1 mm²- 35 mm², AWG: 18 - 2, mounting type: Snaps on to side of circuit breaker

TMC 73B 32A - Thermomagnetic device circuit breaker



1019967

<https://www.phoenixcontact.com/us/products/1019967>

EML (10X4)R - Label

0815583

<https://www.phoenixcontact.com/us/products/0815583>



Label, Roll, white, unlabeled, can be labeled with: THERMOMARK E.300 (D)/600 (D), THERMOMARK ROLL 2.0, THERMOMARK ROLL, THERMOMARK ROLL X1, THERMOMARK ROLLMASTER 300/600, THERMOMARK X1.2, mounting type: adhesive, lettering field size: 10 x 4 mm, Number of individual labels: 10000

TML (104X3,8)R - Marker strip

0801833

<https://www.phoenixcontact.com/us/products/0801833>



Marker strip, Roll, white, unlabeled, can be labeled with: THERMOMARK E.300 (D)/600 (D), THERMOMARK ROLL 2.0, THERMOMARK ROLL, THERMOMARK ROLL X1, THERMOMARK ROLLMASTER 300/600, THERMOMARK X1.2, mounting type: adhesive, for terminal block width: 104 mm, lettering field size: 104 x 3.8 mm, Number of individual labels: 2500

Phoenix Contact 2023 © - all rights reserved
<https://www.phoenixcontact.com>

Phoenix Contact USA
586 Fulling Mill Road
Middletown, PA 17057, United States
(+717) 944-1300
info@phoenixcon.com