

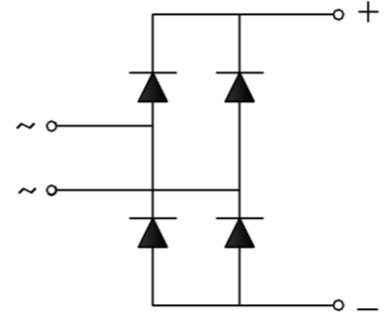
26MB120 thru 26MB160

Feature

- Glass-passivated chip ensures high stability
- Low forward voltage drop
- Isolation voltage 2000V~
- Small volume, light weight
- Low thermal resistance, high heat-conductivity, low temperature rise

Application

- Power supply for DC power device
- Input rectifier for PWM converter
- Inverter welding machine



Maximum value

Symbol	Parameter	Rating			Unit
		26MB120	26MB140	26MB160	
VRRM	Reverse peak repetitive voltage	1200	1400	1600	V
VRSM	Reverse peak non-repetitive voltage	1300	1500	1700	V

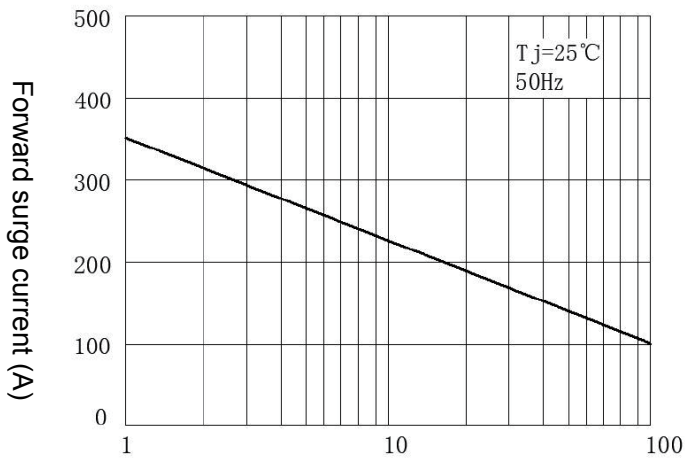
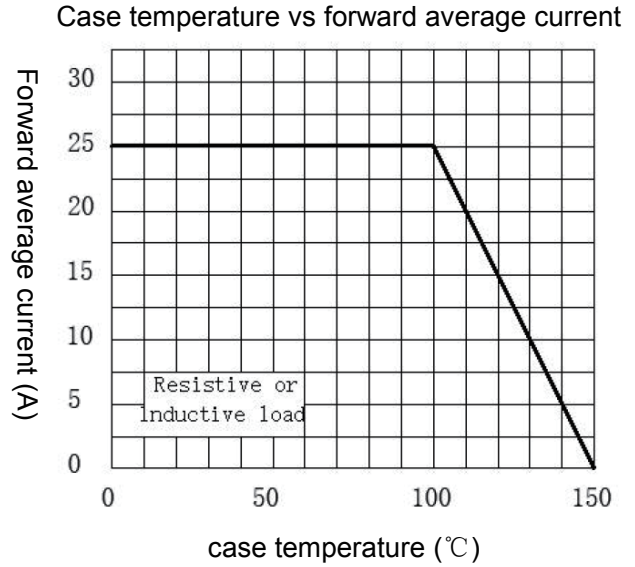
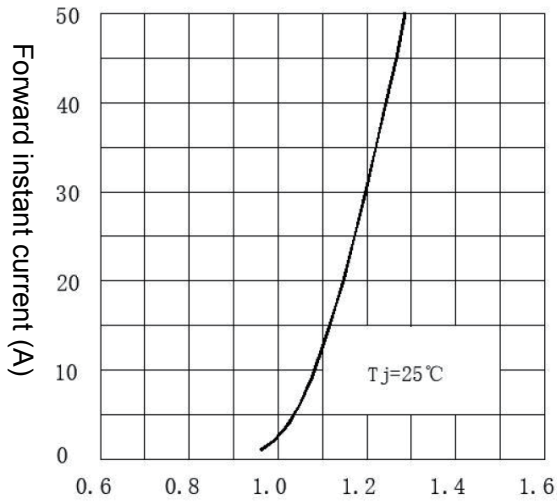
Symbol	Parameter	Test condition	Rating	Unit
I _{F(AV)}	Forward average current	TC=78°C	25	A
I _{FSM}	Forward surge current	sine wave 50Hz, t=10ms, T _j =25°C	350	A
I ² t	I ² t value		508	A ² S
Viso	Isolation voltage	50Hz, R.M.S, t=1min, I _{iso} : 1mA(max)	2000	V
T _j	Operating junction temperature		-40 to +125	°C
T _{jm}	Rated junction temperature		150	°C
T _{stg}	Storage temperature		-40 to 125	°C
Md	Mounting torque M5		2	N•m
Wt	Weight		18	g

Electrical characteristics

Symbol	Parameter	Test condition	Max value	Unit
I _{RRM}	Peak reverse repetitive current	V _R =V _{RRM} , T _j =25°C	5	μA
		V _R =V _{RRM} , T _j =150°C	3	mA
V _{FM}	Peak forward voltage	I _{FM} = 12.5A, T _j =25°C	1.10	V
R _{th(j-c)}	Thermal impedance (junction-case)	Single-sided heat dissipation	1.4	°C/W

26MB120 thru 26MB160

Performance Curves



Outline

