

Isolated AC-DC Converter with PFC

Features & Benefits

- Universal input (85 – 264V_{AC})
- 24V_{OUT}, regulated, isolated
- 400W maximum power
- High efficiency
- Built-in EMI filtering
- Chassis-mount or board-mount packaging options
- Always-on, self-protecting converter control architecture
- SELV Output
- Two temperature grades including operation to –40°C
- Robust package
- Versatile thermal management
- Safe and reliable secondary-side energy storage
- High MTBF
- 127W/in³ power density
- 4914 package
- External rectification and transient protection required

Typical Applications

- Small-cell base stations
- Telecom switching equipment
- LED lighting
- Industrial power systems

Part Ordering Information

Product Function	Package Length	Package Width	Package Type	Input Voltage	Range Ratio	Output Voltage (Range)	Max Output Current	Product Grade	Option Field	
PFM	49	14	x	B6	M	24	D0	y	z	z
PFM = Power Factor Module	Length in Inches x 10	Width in Inches x 10	B = Board VIA V = Chassis VIA	Internal Reference				C = –20 to 100°C T = –40 to 100°C	00 = Chassis/Always On 04 = Short Pin/Always On 08 = Long Pin/Always On	

Product Ratings	
V _{IN} = 85 – 264V	P _{OUT} = up to 400W
V _{OUT} = 24V	I _{OUT} = 16.67A

Product Description

The PFM in a VIA package is a highly advanced 400W AC-DC converter operating from a rectified universal AC input which delivers an isolated and regulated Safety Extra Low Voltage (SELV) 24V secondary output.

This unique, ultra-low-profile module incorporates AC-DC conversion, integrated filtering and transient surge protection in a chassis-mount or PCB-mount form factor.

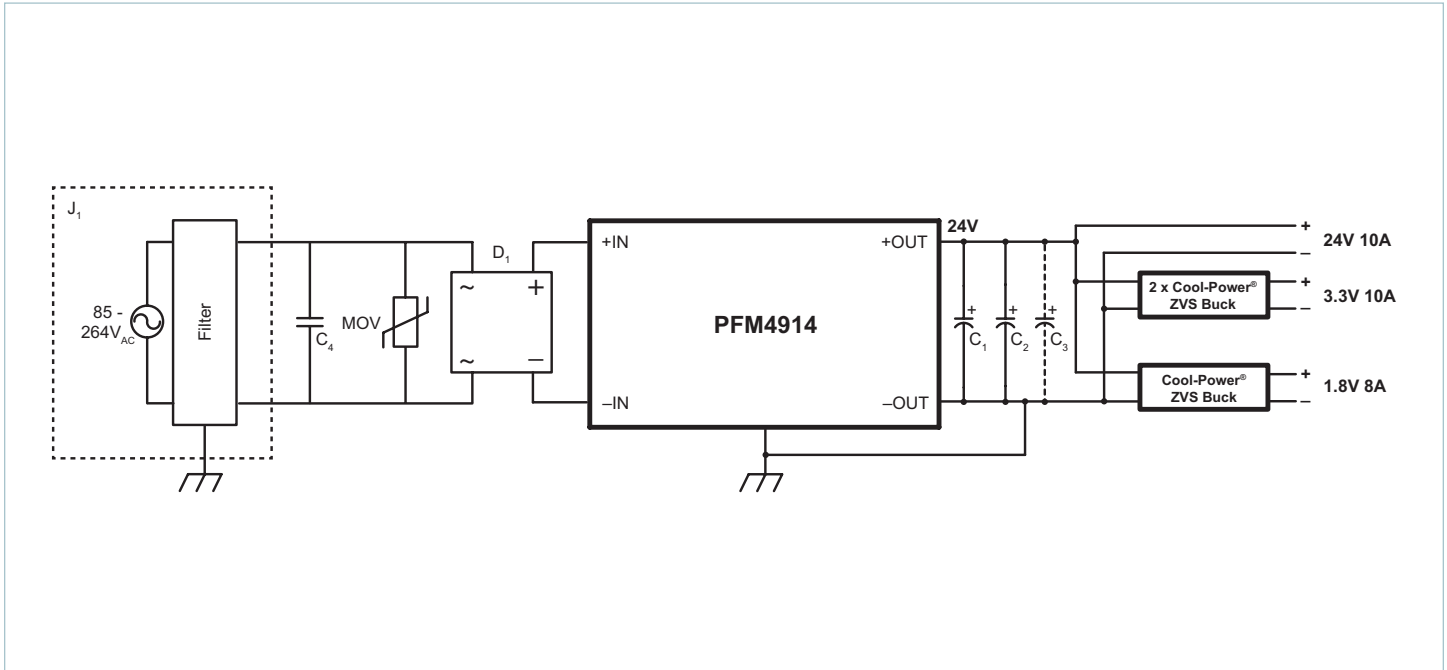
The PFM in a VIA package enables a versatile two-sided thermal strategy which greatly simplifies thermal design challenges.

When combined with downstream Vicor DC-DC conversion components and regulators, the PFM in a VIA package allows the Power Design Engineer to employ a simple, low-profile design which will differentiate his end-system without compromising on cost or performance metrics.



Size:
4.91 x 1.40 x 0.37in
[124.75 x 35.54 x 9.40mm]

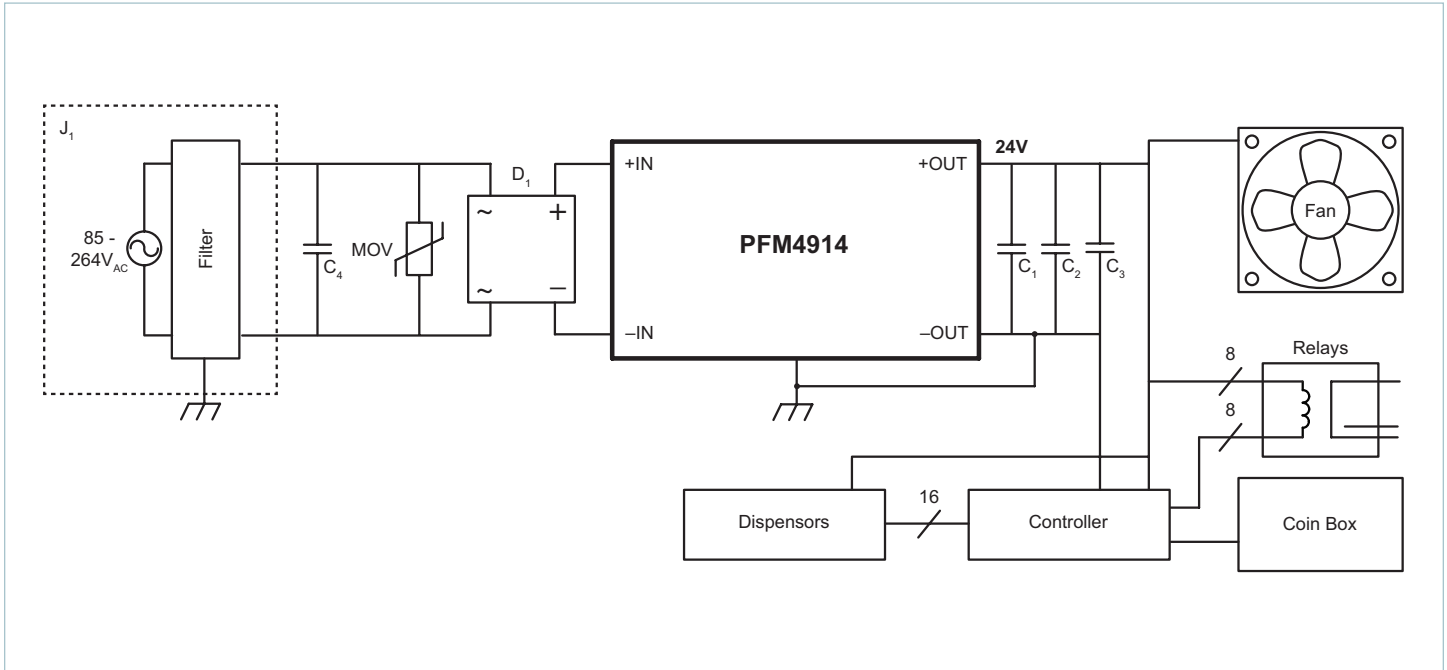
Typical PCB-Mount Applications



The PCB terminal option allows mounting on an industry standard printed circuit board, with two different pin lengths. Vicor offers a variety of downstream DC-DC converters driven by the 24V output of the PFM in a VIA package. The 24V output is usable directly by loads that are tolerant of the PFC line ripple, such as fans, motors, relays, and some types of lighting. Use downstream DC-DC point-of-load converters where more precise regulation is required.

Parts List for Typical PCB-Mount Applications	
J1	Delta 06AR2 EMI Filter Entry Module, C 14 6A 250V 5 x 20mm fuseholder
F1 (mount in J1)	Littelfuse 0216008.MXP 8A 250V _{AC} 5 x 20mm holder
D1	Fairchild GBPC1210W 12A 1000V PTH
C1, C2, (C3)	Nichicon UVR1V153MRD 15,000µF 35V 4.3A 25 x 50mm bent 90°, x 3pcs or
	CDE 380LX153M035A022 15,000µF 35V 5.6A 35 x 30mm snap in, x 3pcs or
	Sic Safco Cubic LP A712062 22,000µF 35V 5.8A 45 x 75 x 12mm rectangular, x 2pcs or
	CDE MLPE1566 22,000µF 35V 8.4A 45 x 76 x 12.5mm x 2pcs.
C4	Panasonic ECQ-U2A474ML 0.47µF 275V
MOV	Littelfuse TMOV20RP300E VARISTOR 10kA 300V 250 J 20mm

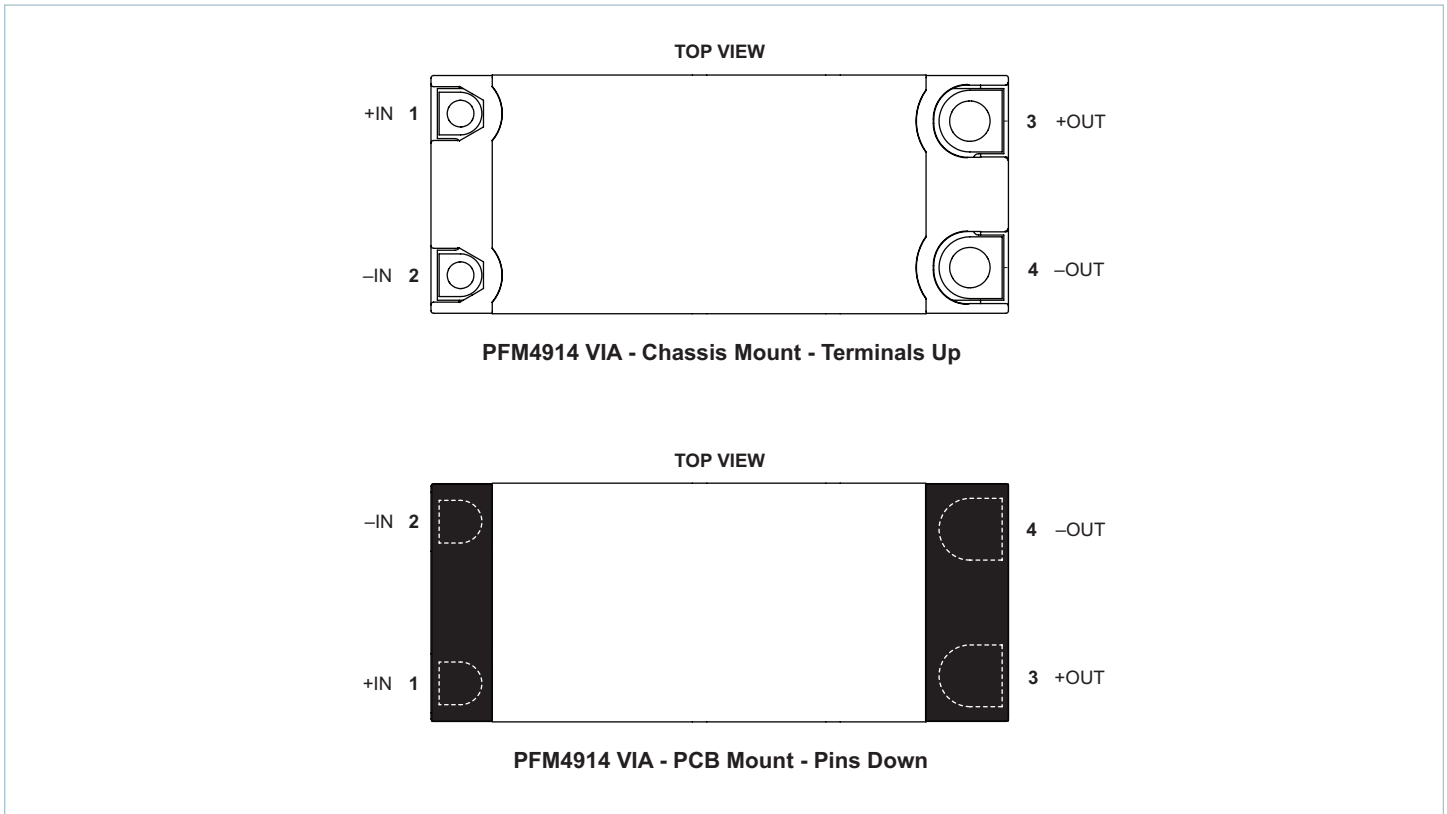
Typical Chassis-Mount Applications



The PFM in a VIA package is available in chassis-mount option, saving the cost of a PCB and allowing access to both sides of the power supply for cooling. The parts list below minimizes the number of interconnects required between necessary components, and selects components with terminals traditionally used for point-to-point chassis wiring.

Parts List for Typical Chassis-Mount Applications	
J1	Delta 06AR2 EMI Filter Entry Module, C14 6A 250V 5 x 20mm fuseholder
F1 (mount in J1)	Littelfuse 0216008.MXP 8A 250V _{AC} 5 x 20mm holder
D1	Fairchild GBPC1210FS 12A 1000V 0.25" QC TERMINAL
C1, C2, C3	Nichicon LNT1V153MSE 15,000µF 35V 5.1A 35 x 83mm screw terminal or
C1	Kemet ALS30A473KE040 47,000µF 40V 14.2A 51 x 84mm screw terminal
C4	Panasonic ECQ-U2A474ML 0.47µF 275V
MOV	Littelfuse TMOV20RP300E VARISTOR 10kA 300V 250 J 20mm

Pin Configuration



Please note that these Pin drawings are not to scale.

Pin Descriptions

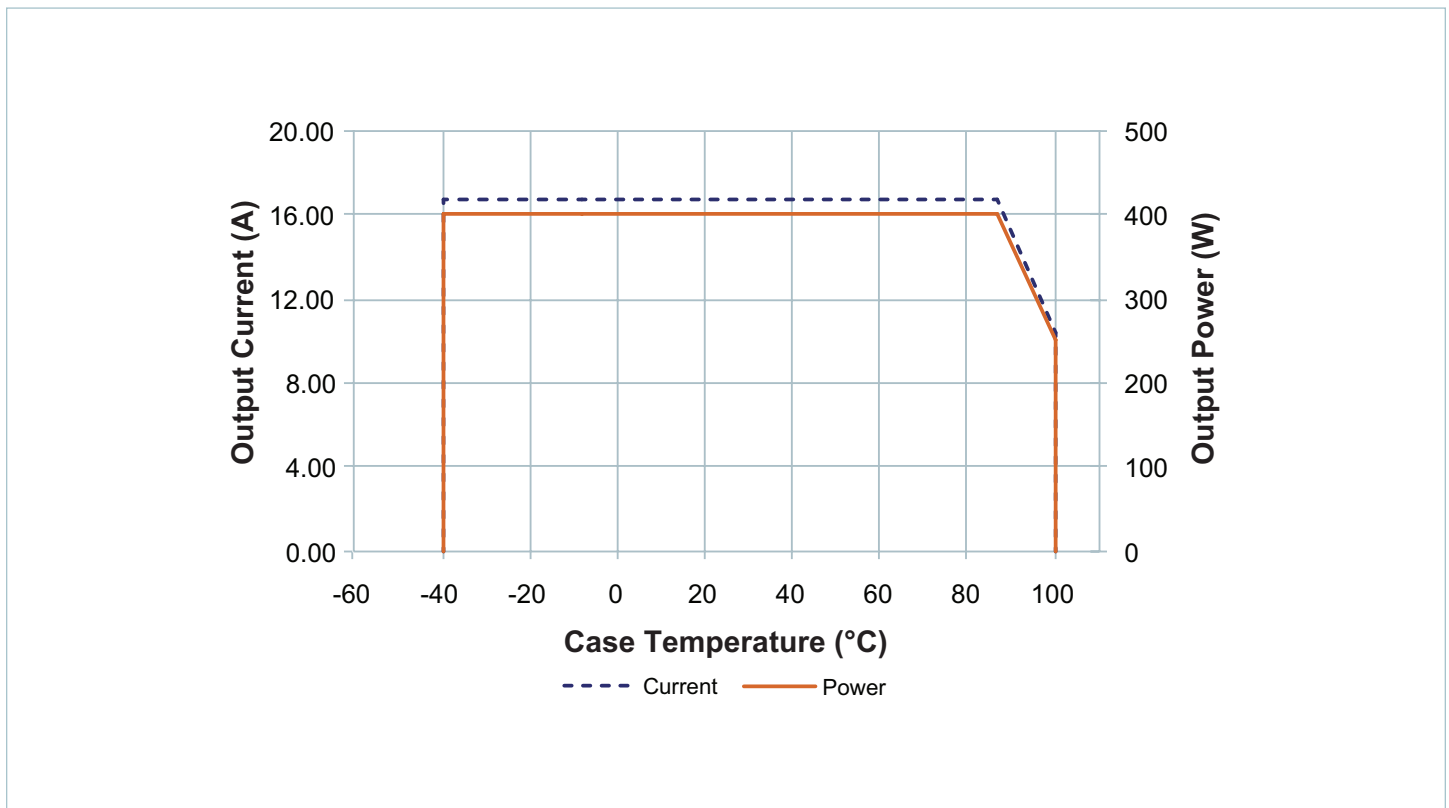
Pin Number	Signal Name	Type	Function
1	+IN	INPUT POWER	Positive input power terminal
2	-IN	INPUT POWER RETURN	Negative input power terminal
3	+OUT	OUTPUT POWER	Positive output power terminal
4	-OUT	OUTPUT POWER RETURN	Negative output power terminal

Absolute Maximum Ratings

The absolute maximum ratings below are stress ratings only. Operation at or beyond these maximum ratings can cause permanent damage to the device.

Parameter	Comments	Min	Max	Unit
Input Voltage +IN to -IN	1ms max	0	600	V _{PK}
Input Voltage (+IN to -IN)	Continuous, Rectified	0	275	V _{RMS}
Output Voltage (+OUT to -OUT)		-0.5	29	V _{DC}
Output Current		0.0	24.7	A
Screw Torque	4 mounting, 2 input, 2 output		4 [0.45]	N·m [in·lbs]
Operating Internal Temperature	T-Grade	-40	125	°C
Storage Temperature	T-Grade	-65	125	°C
Dielectric Withstand *	See note below			
Input-Case	Basic insulation	2121		V _{DC}
Input-Output	Reinforced insulation (Internal ChiPT™ tested at 4242V _{DC} prior to assembly.)	2121		V _{DC}
Output-Case	Functional insulation	707		V _{DC}

* Please see Dielectric Withstand section. See page 19.



Safe operating area

Electrical Specifications

Specifications apply over all line and load conditions, 50Hz and 60Hz line frequencies, $T_{INT} = 25^{\circ}\text{C}$, unless otherwise noted; **boldface** specifications apply over the temperature range of the specified product grade. C_{OUT} is $44,000\mu\text{F} \pm 20\%$ unless otherwise specified.

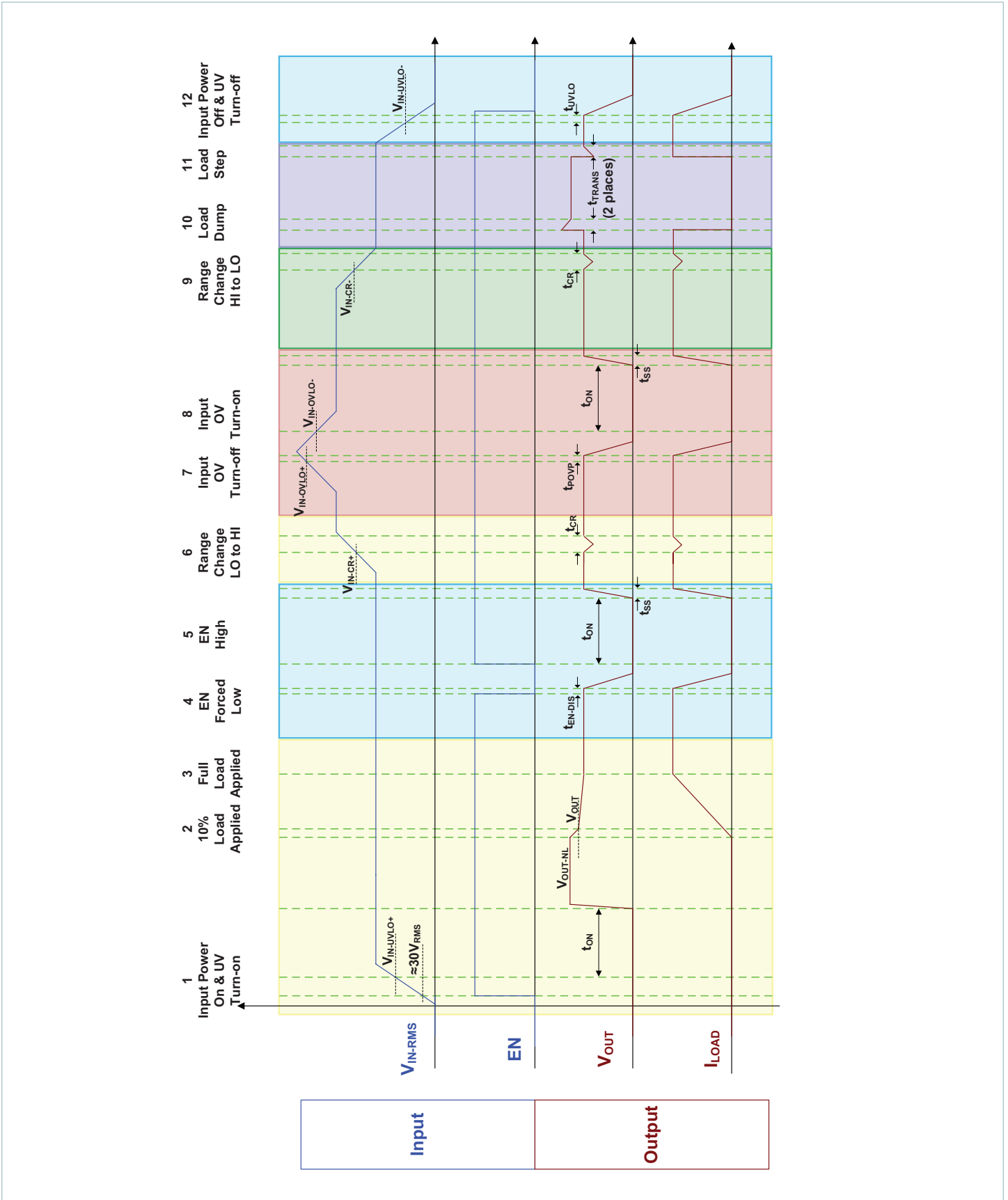
Attribute	Symbol	Conditions / Notes	Min	Typ	Max	Unit
Power Input Specification						
Input Voltage Range, Continuous Operation	V_{IN}		85		264	V_{RMS}
Input Voltage Range, Transient, Non-Operational (Peak)	V_{IN}	1ms			600	V
Input Voltage Cell Reconfiguration Low-to-High Threshold	V_{IN-CR+}			145	148	V_{RMS}
Input Voltage Cell Reconfiguration High-to-Low Threshold	V_{IN-CR-}		132	135		V_{RMS}
Input Current (Peak)	I_{INRP}	See Figure 8, start-up waveforms			12	A
Source Line Frequency Range	f_{line}		47		63	Hz
Power Factor	PF	Input power >200W		0.96		-
Input Inductance, Maximum	L_{IN}	Differential mode inductance, common-mode inductance may be higher. See section "Source Inductance Considerations" on page 16.			1	mH
Input Capacitance, Maximum	C_{IN}	After bridge rectifier, between +IN and -IN			1.5	μF
No Load Specification						
Input Power – No Load, Maximum	P_{NL}				7	W
Power Output Specification						
Output Voltage Set Point	V_{OUT}	$V_{IN} = 230V_{RMS}$, 100% load	23	24	25	V
Output Voltage, No Load	V_{OUT-NL}	Over all operating steady-state line conditions. Wider tolerance valid up to 50W output due to line cycle skipping.	21		26	V
Output Voltage Range (Transient)	V_{OUT}	Non-faulting abnormal line and load transient conditions	15		28.8	V
Output Power	P_{OUT}	See SOA on Page 5			400	W
Efficiency	η	$V_{IN} = 230\text{V}$, full load, exclusive of input rectifier losses	90.5	92		%
		$85\text{V} < V_{IN} < 264\text{V}$, full load, exclusive of input rectifier losses	90			%
		$85\text{V} < V_{IN} < 264\text{V}$, 75% load, exclusive of input rectifier losses	90			%
Output Voltage Ripple, Switching Frequency	$V_{OUT-PP-HF}$	Over all operating steady-state line and load conditions, 20MHz BW, measured at output, Figure 5		100	1000	mV
Output Voltage Ripple Line Frequency	$V_{OUT-PP-LF}$	Over all operating steady-state line and load conditions, 20MHz BW		1.5	3.5	V
Output Capacitance (External)	$C_{OUT-EXT}$	Allows for $\pm 20\%$ capacitor tolerance	27000		60000	μF
Output Turn-On Delay	T_{ON}	From V_{IN} applied		500	1000	ms
Start-Up Set-Point Acquisition Time	T_{SS}	Full load		500	1000	ms
Cell Reconfiguration Response Time	T_{CR}	Full load		5.5	11	ms
Voltage Deviation (Transient)	$\%V_{OUT-TRANS}$		-37.5		20	%
Recovery Time	T_{TRANS}			300	600	ms
Line Regulation	$\%V_{OUT-LINE}$	Full load			3	%
Load Regulation	$\%V_{OUT-LOAD}$	10% to 100% load			3	%
Output Current (Continuous)	I_{OUT}	SOA			16.7	A
Output Current (Transient)	I_{OUT-PK}	20ms duration, average power $\leq P_{OUT, max}$			24.7	A

Electrical Specifications (Cont.)

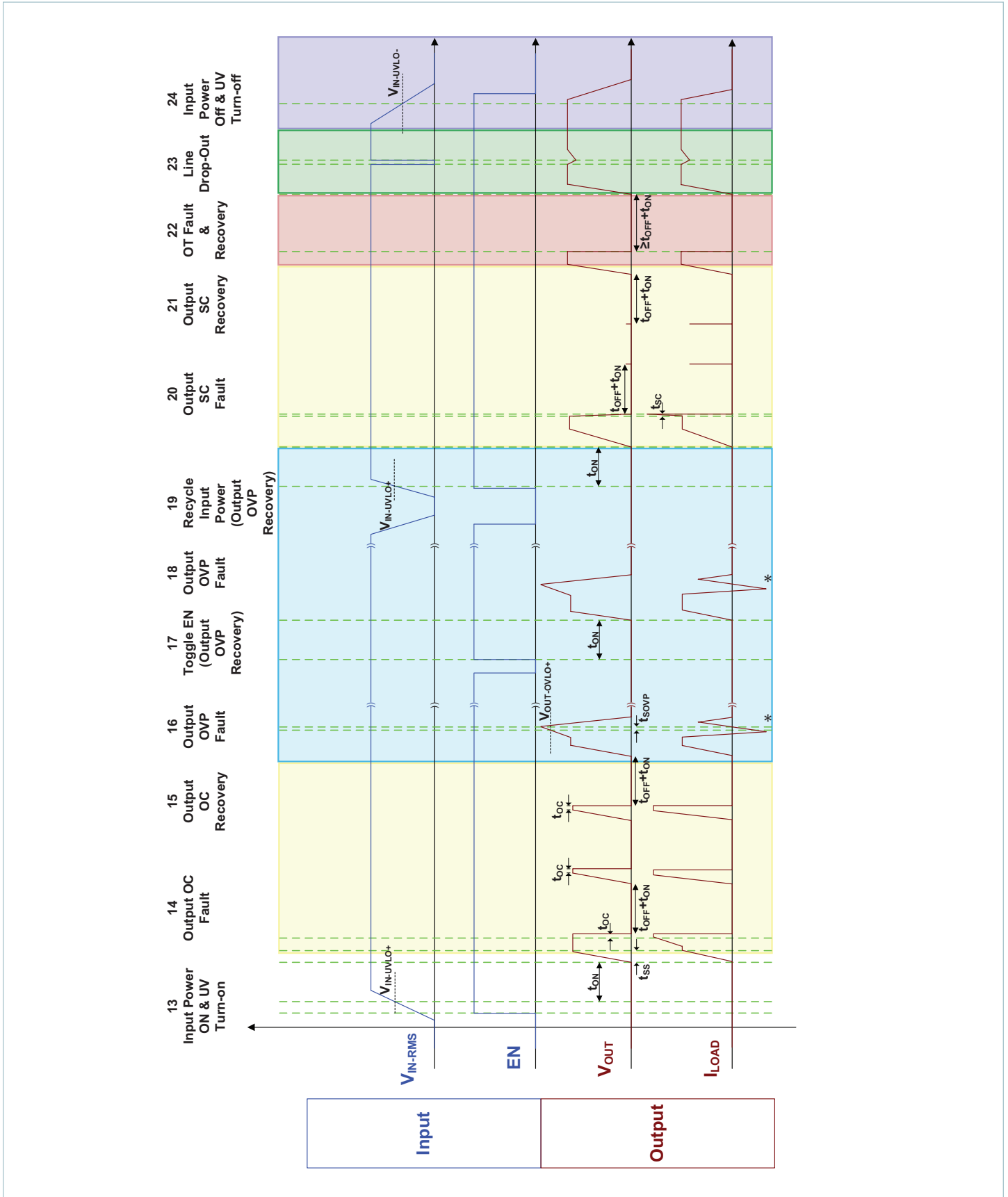
Specifications apply over all line and load conditions, 50Hz and 60Hz line frequencies, $T_{INT} = 25^{\circ}\text{C}$, unless otherwise noted; **boldface** specifications apply over the temperature range of the specified product grade. C_{OUT} is 44,000 $\mu\text{F} \pm 20\%$ unless otherwise specified.

Attribute	Symbol	Conditions / Notes	Min	Typ	Max	Unit
Powertrain Protections						
Input Undervoltage Turn-On	$V_{IN-UVLO+}$	See Timing Diagram		74	83	V_{RMS}
Input Undervoltage Turn-Off	$V_{IN-UVLO-}$		65	71		V_{RMS}
Input Overvoltage Turn-On	$V_{IN-OVLO-}$	See Timing Diagram	265	270		V_{RMS}
Input Overvoltage Turn-Off	$V_{IN-OVLO+}$			273	287	V_{RMS}
Output Overvoltage Threshold	$V_{OUT-OVLO+}$	Instantaneous, latched shutdown	29	30.5	32	V
Upper Start / Restart Temperature Threshold (Case)	$T_{CASE-OTP-}$		100			$^{\circ}\text{C}$
Overtemperature Shutdown Threshold (Internal)	$T_{INT-OTP+}$			125		$^{\circ}\text{C}$
Overtemperature Shutdown Threshold (Case)	$T_{CASE-OTP+}$			110		$^{\circ}\text{C}$
Overcurrent Blanking Time	T_{OC}	Based on line frequency	400	460	550	ms
Input Overvoltage Response Time	T_{POVP}			40		ms
Input Undervoltage Response Time	T_{UVLO}	Based on line frequency		200		ms
Output Overvoltage Response Time	T_{SOVP}	Powertrain on		30		ms
Short Circuit Response Time	T_{SC}	Powertrain on, operational state		270		μs
Fault Retry Delay Time	T_{OFF}	See Timing Diagram		10		s
Output Power Limit	P_{PROT}	50% overload for 20ms typ allowed	400			W

Timing Diagram



Timing Diagram (Cont.)



Application Characteristics

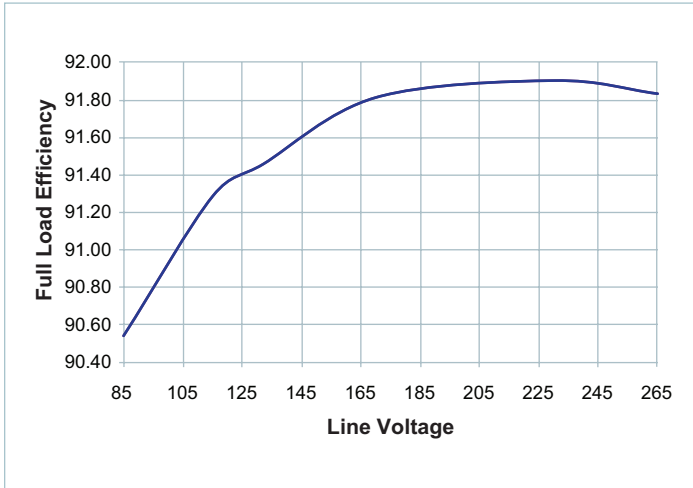


Figure 1 — Full-load efficiency vs. line voltage

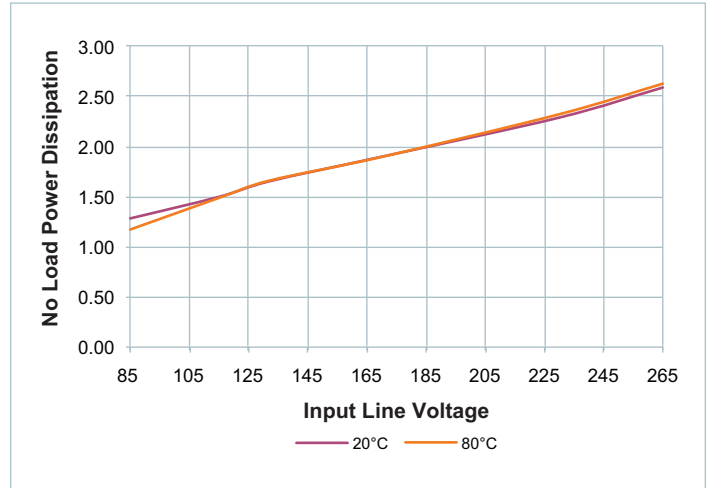


Figure 2 — Typical no-load power dissipation vs. V_{IN} , module enabled

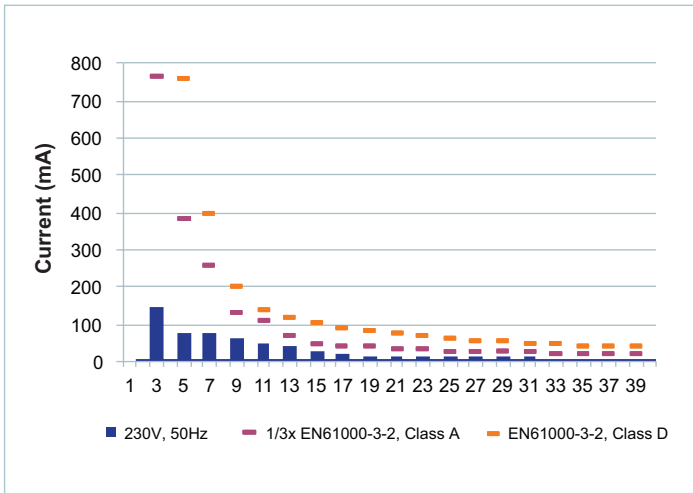


Figure 3 — Typical input current harmonics, full load vs. V_{IN} using typical applications circuit on pages 2 & 3

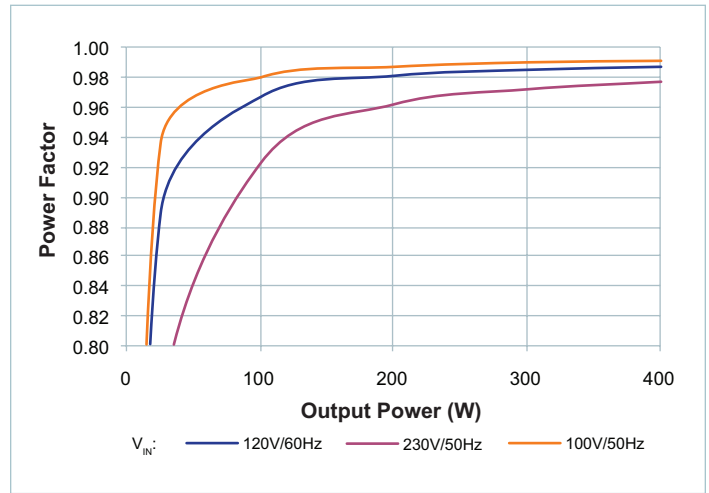


Figure 4 — Typical power factor vs. V_{IN} and I_{OUT} using typical applications circuit on pages 2 & 3

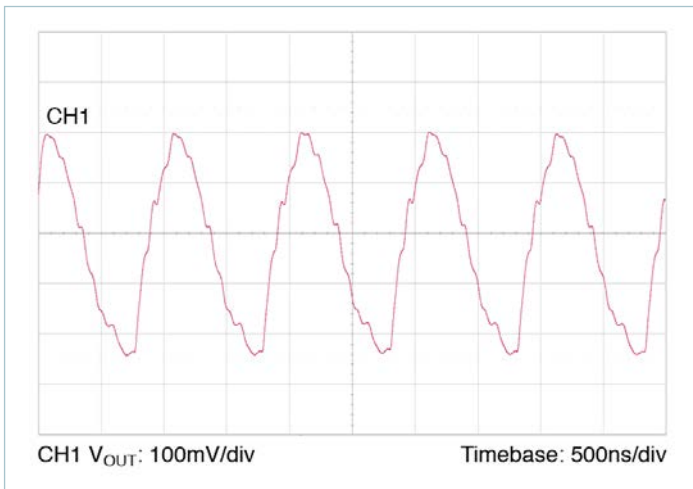


Figure 5 — Typical switching frequency output voltage ripple waveform, $T_{CASE} = 30^{\circ}C$, $V_{IN} = 230V$, $I_{OUT} = 16.7A$, no external ceramic capacitance, 20MHz BW

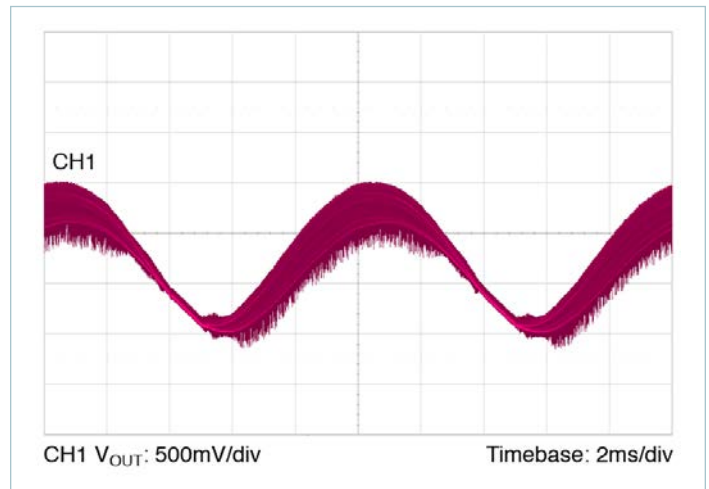


Figure 6 — Typical line frequency output voltage ripple waveform, $T_{CASE} = 30^{\circ}C$, $V_{IN} = 230V$, $I_{OUT} = 16.7A$, $C_{OUT} = 44,000\mu F$. 20MHz BW

Application Characteristics (Cont.)

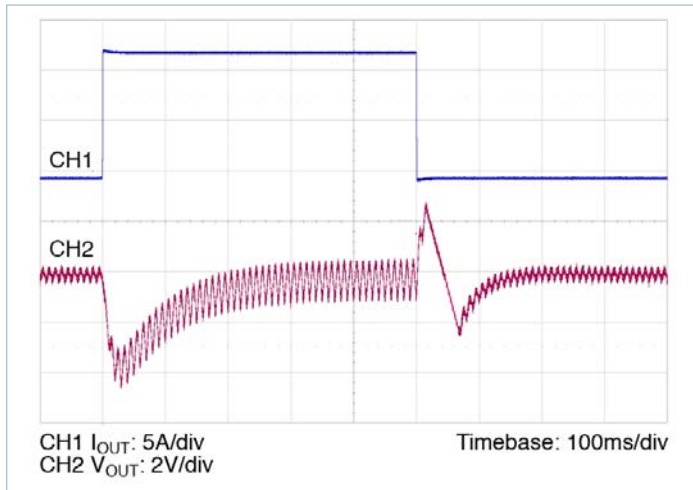


Figure 7 — Typical output voltage transient response,
 $T_{CASE} = 30^{\circ}C$, $V_{IN} = 230V$, $I_{OUT} = 16.7A$, $4.2A$
 $C_{OUT} = 44,000\mu F$

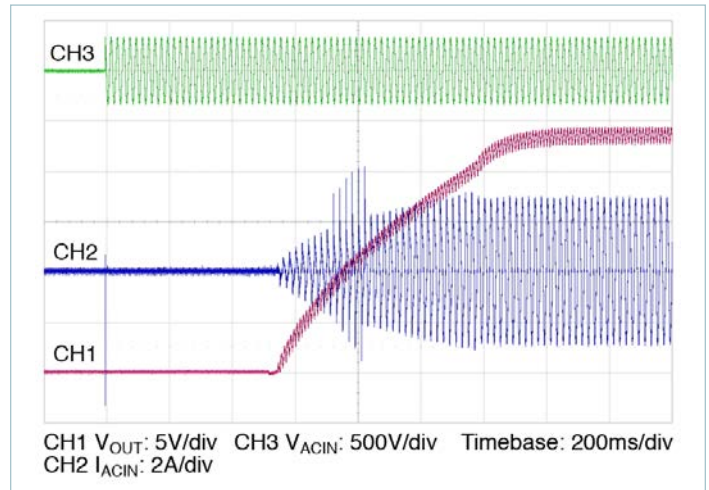


Figure 8 — Typical start-up waveform, application of V_{IN} ,
 $R_{LOAD} = 1.4\Omega$, $C_{OUT} = 44,000\mu F$

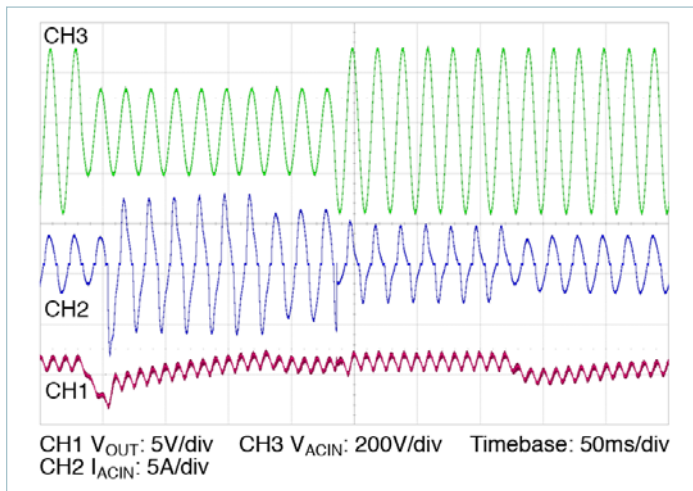


Figure 9 — 230V, 120V range change transient response,
 $I_{OUT} = 16.7A$, $C_{OUT} = 44,000\mu F$

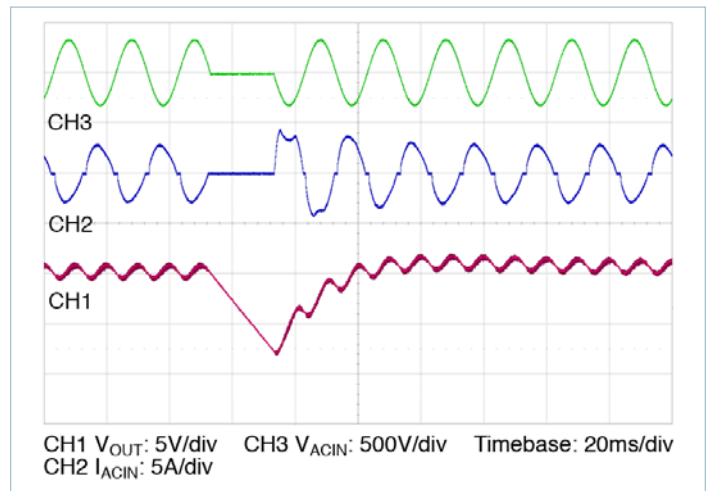


Figure 10 — Line drop out, 230V 50Hz, 0° phase, $I_{OUT} = 16.7A$,
 $C_{OUT} = 44,000\mu F$

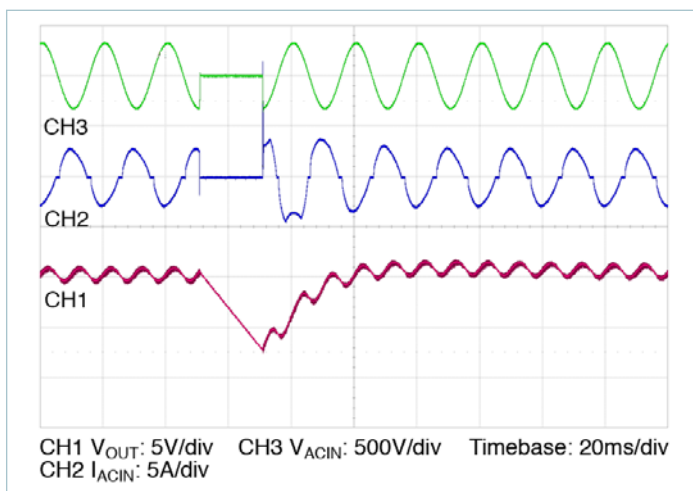


Figure 11 — Line drop out, 90° phase, $V_{IN} = 230V$, $I_{OUT} = 16.7A$,
 $C_{OUT} = 44,000\mu F$

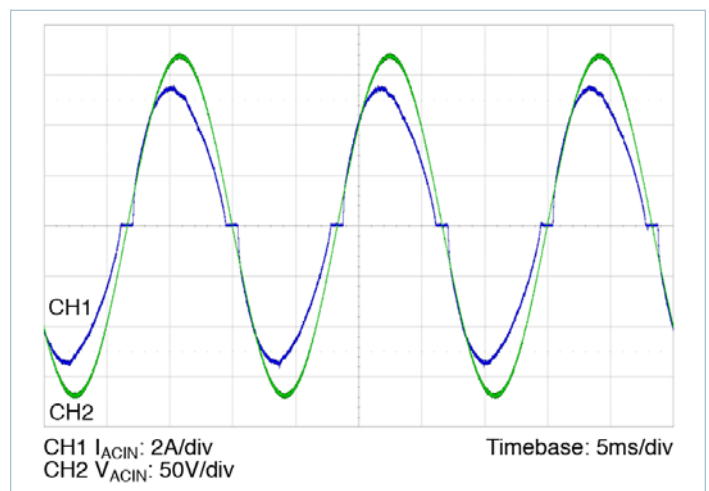


Figure 12 — Typical line current waveform, $V_{IN} = 120V$,
 $60Hz$ $I_{OUT} = 16.7A$, $C_{OUT} = 44,000\mu F$

Application Characteristics (Cont.)

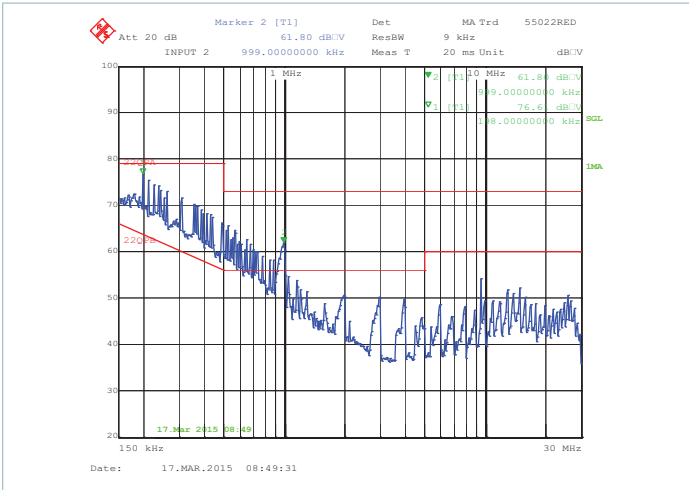


Figure 13 — Typical EMI spectrum, peak scan, 90% load, 115V_{IN}, C_{OUT} = 44,000µF, no Inlet filter, C4

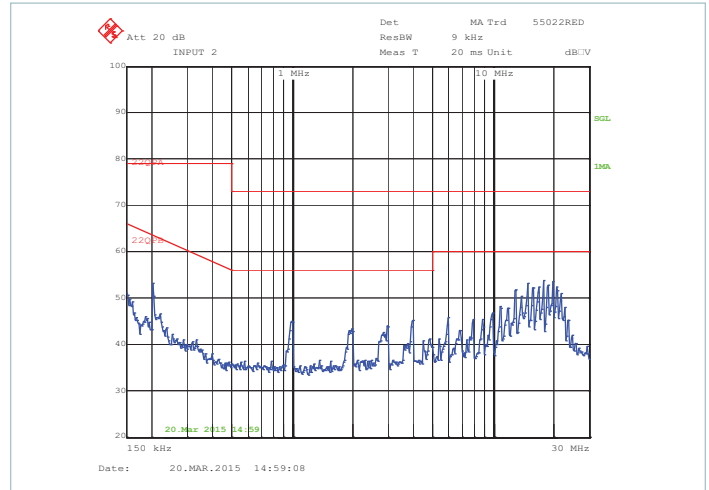


Figure 14 — Typical EMI spectrum, peak scan, 90% load, 115V_{IN}, C_{OUT} = 44,000µF using typical chassis-mount application circuit

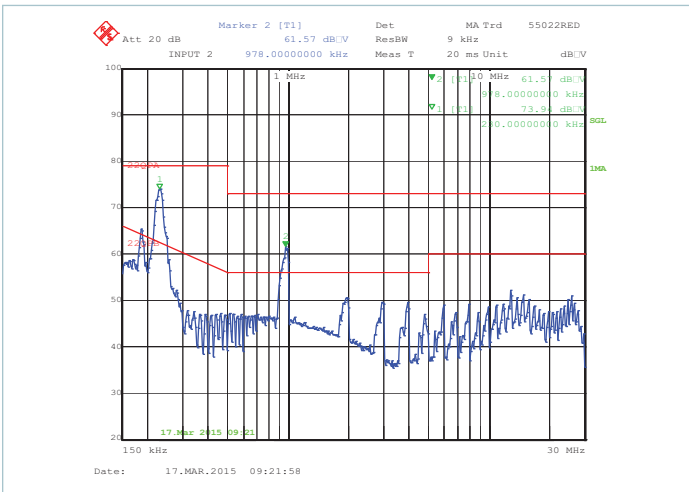


Figure 15 — Typical EMI spectrum, peak scan, 90% load, 230V_{IN}, C_{OUT} = 44,000µF, no Inlet filter, C4

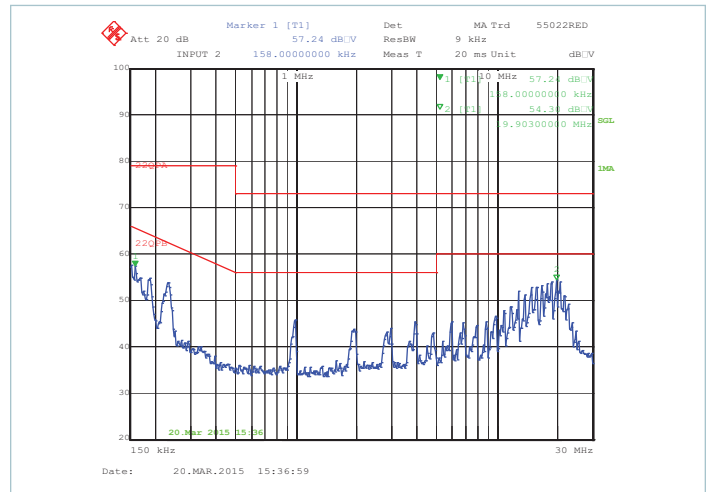


Figure 16 — Typical EMI spectrum, peak scan, 90% load, 230V_{IN}, C_{OUT} = 44,000µF using typical chassis-mount application circuit

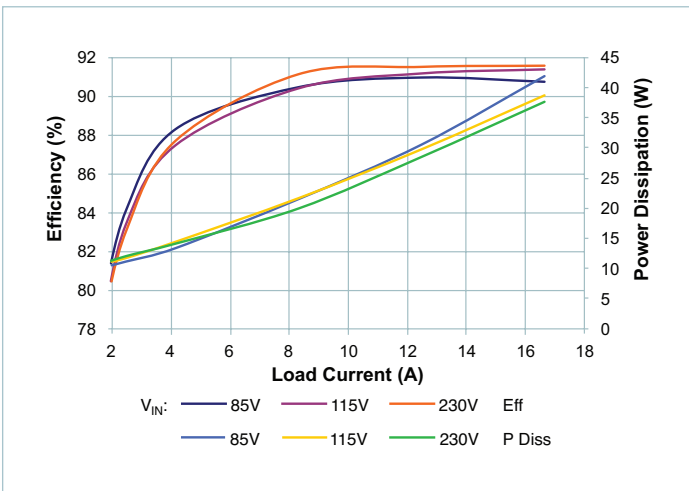


Figure 17 — V_{IN} to V_{OUT} efficiency and power dissipation vs. V_{IN} and I_{OUT}, T_{CASE} = -40°C

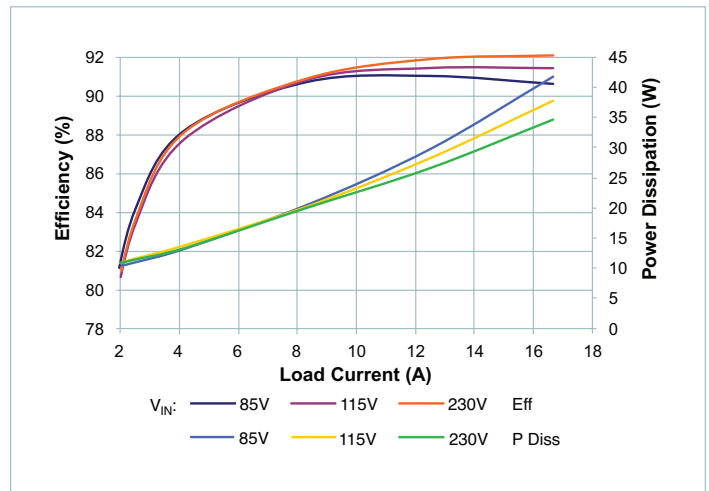


Figure 18 — V_{IN} to V_{OUT} efficiency and power dissipation vs. V_{IN} and I_{OUT}, T_{CASE} = 20°C

Application Characteristics (Cont.)

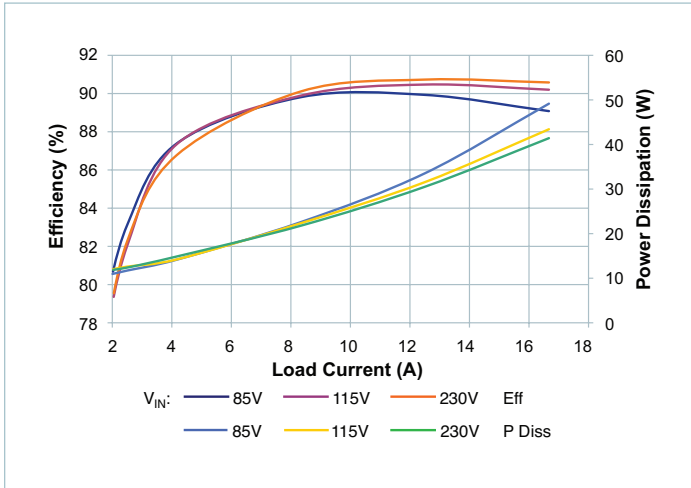


Figure 19 — V_{IN} to V_{OUT} efficiency and power dissipation vs. V_{IN} and I_{OUT} , $T_{CASE} = 80^{\circ}C$

General Characteristics

Specifications apply over all line and load conditions, 50Hz and 60Hz line frequencies, $T_C = 25^\circ\text{C}$, unless otherwise noted; **boldface** specifications apply over the temperature range of the specified Product Grade.

Attribute	Symbol	Conditions / Notes	Min	Typ	Max	Unit
Mechanical						
Length	L		124.49 [4.90]	124.75 [4.91]	125.0 [4.92]	mm [in]
Width	W		35.29 [1.39]	35.54 [1.40]	35.79 [1.41]	mm [in]
Height	H		9.019 [0.355]	9.40 [0.37]	9.781 [0.385]	mm [in]
Volume	Vol	Without heat sink		42.0 [2.56]		cm ³ [in ³]
Weight	W			156 [5.5]		g [oz]
Pin Material		C145 copper, half hard				
Underplate		Low-stress ductile nickel	50		100	μin
Pin Finish		Palladium	0.8		6	μin
		Soft Gold	0.12		2	μin
Thermal						
Operating Case Temperature	T_C	C-Grade, see derating curve in SOA	-20		100	$^\circ\text{C}$
		T-Grade, see derating curve in SOA	-40		100	$^\circ\text{C}$
Thermal Resistance, Pin Side	$\theta_{\text{INT_PIN_SIDE}}$			1.4		$^\circ\text{C/W}$
Thermal Resistance, Non-Pin Side	$\theta_{\text{INT_NON_PIN_SIDE}}$			1.8		$^\circ\text{C/W}$
Thermal Resistance, Housing	θ_{HOU}			0.36		$^\circ\text{C/W}$
Shell Thermal Capacity				32		J/K
Thermal Design		See Thermal Considerations on Page 18				
Assembly						
ESD Rating	ESD _{HBM}	Human Body Model, JEDEC JESD 22-A114C.01	1,000			V
	ESD _{MM}	Machine Model, JEDEC JESD 22-A115B	N/A			
	ESD _{CDM}	Charged Device Model, JEDEC JESD 22-C101D	200			
Safety						
Agency Approvals / Standards	cTÜVus; EN 60950-1					
	cURus; UL 60950-1					
	CE Marked for Low Voltage Directive and RoHS Recast Directive, as applicable					
		Touch Current measured in accordance with IEC 60990 using measuring network Figure 3 (PFM in a VIA package only)			0.5	

General Characteristics (Cont.)

Specifications apply over all line and load conditions, 50Hz and 60Hz line frequencies, $T_c = 25^\circ\text{C}$, unless otherwise noted; **boldface** specifications apply over the temperature range of the specified Product Grade.

Attribute	Symbol	Conditions / Notes	Min	Typ	Max	Unit
EMI/EMC Compliance (pending)						
FCC Part 15, EN55022, CISPR22: 2006 + A1: 2007, Conducted Emissions		Class B Limits - with -OUT connected to GND				
EN61000-3-2: 2009, Harmonic Current Emissions		Class A				
EN61000-3-3: 2005, Voltage Changes & Flicker		$P_{ST} < 1.0$; $P_{LT} < 0.65$; dc $< 3.3\%$ $d_{max} < 6\%$				
EN61000-4-4: 2004, Electrical Fast Transients		Level 2, Performance Criteria A				
EN61000-4-5: 2006, Surge Immunity		Level 3, Immunity Criteria A, external TMOV and fuse shown on page 2 or 3 required				
EN61000-4-6: 2009, Conducted RF Immunity		Level 2, 130dB μV (3.0V $_{RMS}$)				
EN61000-4-8: 1993 + A1 2001, Power Frequency H-Field 10A/m, continuous field		Level 3, Performance Criteria A				
EN61000-4-11: 2004, Voltage Dips & Interrupts		Class 2, Performance Criteria A Dips, Performance Criteria B Interrupts				

Case	Reliability Assurance Relex Modeling, Studio 2007, v2]	Temp (°C)	Duty Cycle	Condition	MTBF (MHrs)	FIT
Reliability						
1	Telcordia Issue 2, Method I Case 1	25	100%	GB,GC	0.702	1424
2	MIL-HDBK-217FN2 Parts Count - 25°C Ground Benign, Stationary, Indoors / Computer	25	100%	GB,GC	0.322	3102
3	Telcordia Issue 2, Method I Case 3	25	100%	GB,GC	2.43	412

Product Details and Design Guidelines

Building Blocks and System Designs

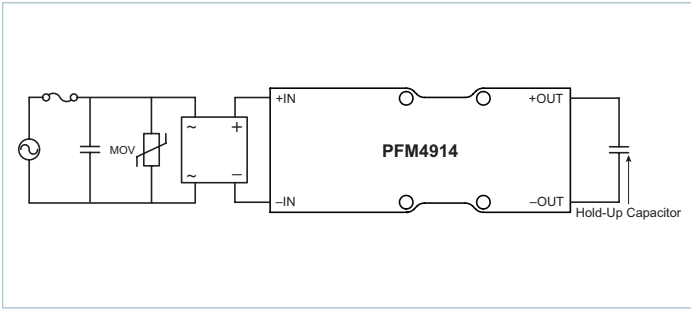


Figure 20 — 400W universal AC-DC supply

The PFM in a VIA package is a high-efficiency AC-DC converter, operating from a universal AC input to generate an isolated SELV 24V_{DC} output bus with power factor correction. It is the key component of an AC-DC power supply system such as the one shown in Figure 20 above.

The input to the PFM in a VIA package is a rectified sinusoidal AC source with a power factor maintained by the module with harmonics conforming to IEC 61000-3-2. Internal filtering enables compliance with the standards relevant to the application (Surge, EMI, etc.). See EMI/EMC Compliance standards on Page 15.

The module uses secondary-side energy storage (at the SELV 24V bus) to maintain output hold up through line dropouts and brownouts. Downstream regulators also provide tighter voltage regulation, if required.

Traditional PFC Topology

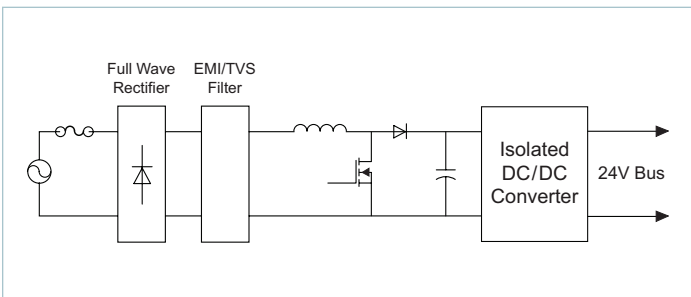


Figure 21 — Traditional PFC AC-DC supply

To cope with input voltages across worldwide AC mains (85 – 264V_{AC}), traditional AC-DC power supplies (Figure 21) use two power conversion stages: 1) a PFC boost stage to step up from a rectified input as low as 85V_{AC} to ~380V_{DC}; and 2) a DC-DC down converter from 380V_{DC} to a 24V bus.

The efficiency of the boost stage and of traditional power supplies is significantly compromised operating from worldwide AC lines as low as 85V_{AC}.

Adaptive Cell™ Topology

With its single stage Adaptive Cell™ topology, the PFM in a VIA package enables consistently high-efficiency conversion from worldwide AC mains to a 24V bus and efficient secondary-side power distribution.

Input Fuse Selection

PFM in a VIA package products are not internally fused in order to provide flexibility in configuring power systems. Input line fusing is recommended at system level, in order to provide thermal protection in case of catastrophic failure. The fuse shall be selected by closely matching system requirements with the following characteristics:

- Recommended fuse: 216 Series Littelfuse 8A or lower current rating (usually greater than the PFM maximum current at lowest input voltage)
- Maximum voltage rating (usually greater than the maximum possible input voltage)
- Ambient temperature
- Breaking capacity per application requirements
- Nominal melting I²t

Source Inductance Considerations

The PFM Powertrain uses a unique Adaptive Cell Topology that dynamically matches the powertrain architecture to the AC line voltage. In addition the PFM in a VIA package uses a unique control algorithm to reduce the AC line harmonics yet still achieve rapid response to dynamic load conditions presented to it at the DC output terminals. Given these unique power processing features, the PFM in a VIA package can expose deficiencies in the AC line source impedance that may result in unstable operation if ignored.

It is recommended that for a single PFM, the line source inductance should be no greater than 1mH for a universal AC input of 100 – 240V. If the PFM in a VIA package will be operated at 240V nominal only, the source impedance may be increased to 2mH. For either of the preceding operating conditions it is best to be conservative and stay below the maximum source inductance values. When multiple PFM in a VIA package's are used on a single AC line, the inductance should be no greater than 1mH/N, where N is the number of PFM in a VIA package's on the AC branch circuit, or 2mH/N for 240V_{AC} operation. It is important to consider all potential sources of series inductance including and not limited to, AC power distribution transformers, structure wiring inductance, AC line reactors, and additional line filters. Non-linear behavior of power distribution devices ahead of the PFM in a VIA package may further reduce the maximum inductance and require testing to ensure optimal performance.

If the PFM in a VIA package is to be utilized in large arrays, the PFM in a VIA packages should be spread across multiple phases or sources thereby minimizing the source inductance requirements, or be operated at a line voltage close to 240V_{AC}. Vicor Applications should be contacted to assist in the review of the application when multiple devices are to be used in arrays.

Fault Handling

Input Undervoltage (UV) Fault Protection

The input voltage is monitored by the micro-controller to detect an input under voltage condition. When the input voltage is less than the $V_{IN-UVLO-}$, a fault is detected, the fault latch and reset logic disables the modulator, the modulator stops powertrain switching, and the output voltage of the unit falls. After a time t_{UVLO} , the unit shuts down. Faults lasting less than t_{UVLO} may not be detected. Such a fault does not go through an auto-restart cycle. Once the input voltage rises above $V_{IN-UVLO+}$, the unit recovers from the input UV fault, the powertrain resumes normal switching after a time t_{ON} and the output voltage of the unit reaches the set-point voltage within a time t_{SS} .

Overcurrent (OC) Fault Protection

The unit's output current, determined by V_{EAO} , V_{IN-B} and the primary-side sensed output voltage is monitored by the microcontroller to detect an output OC condition. If the output current exceeds its current limit, a fault is detected, the reset logic disables the modulator, the modulator stops powertrain switching, and the output voltage of the module falls after a time t_{OC} . As long as the fault persists, the module goes through an auto-restart cycle with off time equal to $t_{OFF} + t_{ON}$ and on time equal to t_{OC} . Faults shorter than a time t_{OC} may not be detected. Once the fault is cleared, the module follows its normal start-up sequence after a time t_{OFF} .

Short Circuit (SC) Fault Protection

The microcontroller determines a short circuit on the output of the unit by measuring its primary sensed output voltage and EAO. Most commonly, a drop in the primary-sensed output voltage triggers a short circuit event. The module responds to a short circuit event within a time t_{SC} . The module then goes through an auto restart cycle, with an off time equal to $t_{OFF} + t_{ON}$ and an on time equal to t_{SC} , for as long as the short circuit fault condition persists. Once the fault is cleared, the unit follows its normal start-up sequence after a time t_{OFF} . Faults shorter than a time t_{SC} may not be detected.

Temperature Fault Protection

The microcontroller monitors the temperature within the PFM in a VIA package. If this temperature exceeds $T_{INT-OTP+}$, an overtemperature fault is detected, the reset logic block disables the modulator, the modulator stops the powertrain switching and the output voltage of the PFM in a VIA package falls. Once the case temperature falls below $T_{CASE-OTP-}$, after a time greater than or equal to t_{OFF} , the converter recovers and undergoes a normal restart. For the C-grade version of the converter, this temperature is 75°C. Faults shorter than a time t_{OTP} may not be detected. If the temperature falls below $T_{CASE-UTP-}$, an undertemperature fault is detected, the reset logic disables the modulator, the modulator stops powertrain switching and the output voltage of the unit falls. Once the case temperature rises above $T_{CASE-UTP+}$, after a time greater than or equal to t_{OFF} , the unit recovers and undergoes a normal restart.

Output Overvoltage Protection (OVP)

The microcontroller monitors the primary sensed output voltage to detect output OVP. If the primary sensed output voltage exceeds $V_{OUT-OVLO+}$, a fault is latched, the logic disables the modulator, the modulator stops powertrain switching, and the output voltage of the module falls after a time t_{SOVP} . Faults shorter than a time t_{SOVP} may not be detected. This type of fault is a latched fault and requires that the input power be recycled to recover from the fault.

Hold-up Capacitance

The PFM in a VIA package uses secondary-side energy storage (at the SELV 24V bus) and downstream regulators to maintain output hold up through line dropouts and brownouts. The module's output bulk capacitance can be sized to achieve the required hold up functionality.

Hold-up time depends upon the output power drawn from the The PFM in a VIA package based AC-DC front end and the input voltage range of downstream DC-DC converters.

The following formula can be used to calculate hold-up capacitance for a system comprised of PFM in a VIA package and a downstream regulator:

$$C = 2 \cdot P_{OUT} \cdot (0.005 + t_d) / (V_2^2 - V_1^2)$$

Where:

- C** PFM's output bulk capacitance in Farads
- t_d** Hold-up time in seconds
- P_{OUT}** PFM's output power in Watts
- V_2** Output voltage of PFM's converter in Volts
- V_1** Downstream regulator undervoltage turn off (Volts) –OR– P_{OUT} / I_{OUT-PK} , whichever is greater.

Output Filtering

The The PFM in a VIA package requires an output bulk capacitor in the range of 27,000µF to 60,000µF for proper operation of the PFC front-end. A minimum 40,000µF is recommended for full rated output. Capacitance can be reduced proportionally for lower maximum loads.

1. Line frequency voltage ripple: $2 \cdot f_{LINE}$ Hz component
2. Switching frequency voltage ripple: 1MHz module switching frequency component (see Figure 5).

Line Frequency Filtering

Output line frequency ripple depends upon output bulk capacitance. Output bulk capacitor values should be calculated based on line frequency voltage ripple. High-grade electrolytic capacitors with adequate ripple current ratings, low ESR and a minimum voltage rating of 35V are recommended.

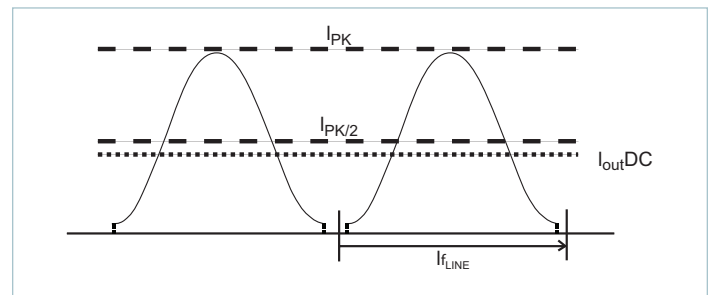


Figure 22 — Output current waveform

Based on the output current waveform, as seen in Figure 22, the following formula can be used to determine peak-to-peak line frequency output voltage ripple:

$$V_{ppl} \approx 0.2 \cdot P_{OUT} / (V_{OUT} \cdot f_{LINE} \cdot C)$$

Where:

- V_{ppl}** Output voltage ripple peak-to-peak line frequency
- P_{OUT}** Average output power
- V_{OUT}** Output voltage set point, nominally 24V
- f_{line}** Frequency of line voltage
- C** Output bulk capacitance
- I_{DC}** Maximum average output current
- I_{PK}** Peak-to-peak line frequency output current ripple

In certain applications, the choice of bulk capacitance may be determined by hold-up requirements and low frequency output voltage filtering requirements. Such applications may use the greater capacitance value determined from these requirements. The ripple current rating for the bulk capacitors can be determined from the following equation:

$$I_{ripple} \approx 0.8 \cdot P_{OUT} / V_{OUT}$$

Switching Frequency Filtering

This is included within the PFM in a VIA package. No external filtering is necessary for most applications. For the most noise-sensitive applications, a common-mode choke followed by two caps to PE GND will reduce switching noise further.

EMI Filtering and Transient Voltage Suppression

EMI Filtering

The PFM in a VIA package with PFC is designed such that it will comply with EN55022 Class B for Conducted Emissions with a commercially available off-the-shelf EM filter. The emissions spectrum is shown in Figures 13 – 16. If one of the outputs is connected to earth ground, a small output common-mode choke is also recommended.

EMI performance is subject to a wide variety of external influences such as PCB construction, circuit layout etc. As such, external components in addition to those listed herein may be required in specific instances to gain full compliance to the standards specified. Radiated emissions require certification at the system level. For best results, enclose the product in a steel enclosure. Filtering must be considered for every conductor leaving the enclosure, which can present itself as a potential transmission antenna.

Transient Voltage Suppression

The PFM in a VIA package contains line transient suppression circuitry to meet specifications for surge (i.e. EN61000-4-5) and fast transient conditions (i.e. EN61000-4-4 fast transient/“burst”) when coupled with an external TMOV as shown on pages 2 and 3.

When more than one PFM is used in a system, each PFM should have its own fuse, TMOV and bridge rectifier.

Thermal Considerations

The VIA package provides effective conduction cooling from either of the two module surfaces. Heat may be removed from the pin-side surface, the non-pin-side surface or both. The extent to which these two surfaces are cooled is a key component for

determining the maximum power that can be processed by a PFM, as can be seen from specified thermal operating area on Page 5. Since the PFM has a maximum internal temperature rating, it is necessary to estimate this internal temperature based on a system-level thermal solution. To this purpose, it is helpful to simplify the thermal solution into a roughly equivalent circuit where power dissipation is modeled as a current source, isothermal surface temperatures are represented as voltage sources and the thermal resistances are represented as resistors. Figure 23 shows the “thermal circuit” for the PFM in a VIA package.

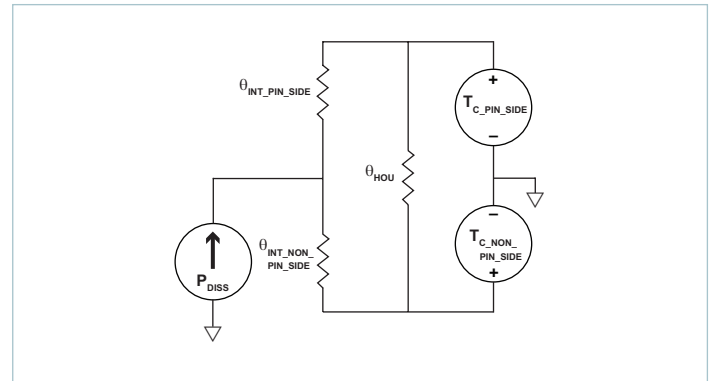


Figure 23 — Double-sided cooling thermal model

In this case, the internal power dissipation is P_{DISS}, theta_{INT_PIN_SIDE} and theta_{INT_NON_PIN_SIDE} are thermal resistance characteristics of the VIA module and the pin-side and non-pin-side surface temperatures are represented as T_{C_PIN_SIDE} and T_{C_NON_PIN_SIDE}. It is interesting to notice that the package itself provides a high degree of thermal coupling between the pin-side and non-pin-side case surfaces (represented in the model by the resistor theta_{HOU}). This feature enables two main options regarding thermal designs:

- Single-side cooling: the model of Figure 23 can be simplified by calculating the parallel resistor network and using one simple thermal resistance number and the internal power dissipation curves; an example for non-pin-side cooling only is shown in Figure 24.

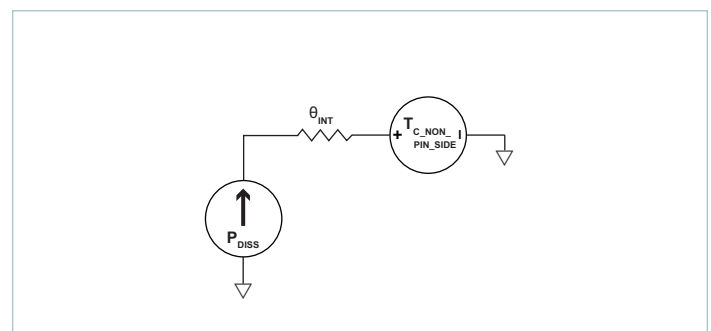


Figure 24 — Single-sided cooling thermal model

In this case, theta_{INT} can be derived as following:

$$\theta_{INT} = \frac{(\theta_{INT_PIN_SIDE} + \theta_{HOU}) \cdot \theta_{INT_NON_PIN_SIDE}}{\theta_{INT_PIN_SIDE} + \theta_{HOU} + \theta_{INT_NON_PIN_SIDE}}$$

- Double-side cooling: while this option might bring limited advantage to the module internal components (given the surface-to-surface coupling provided), it might be appealing in cases where the external thermal system requires allocating power to two different elements, like for example heat sinks with independent airflows or a combination of chassis/air cooling.

Powering a Constant-Power Load

When the output voltage of the PFM in a VIA package module is applied to the input of the downstream regulator, the regulator turns on and acts as a constant-power load. When the module’s output voltage reaches the input undervoltage turn on of the regulator, the regulator will attempt to start. However, the current demand of the downstream regulator at the undervoltage turn-on point and the hold-up capacitor charging current may force the PFM in a VIA package into current limit. In this case, the unit may shut down and restart repeatedly. In order to prevent this multiple restart scenario, it is necessary to delay enabling a constant-power load when powered up by the upstream PFM in a VIA package until after the output set point of the PFM in a VIA package is reached.

This can be achieved by:

1. Keeping the downstream constant-power load off during power up sequence,
- and
2. Turning the downstream constant-power load on after the output voltage of the module reaches 24V steady state.

After the initial start up, the output of the PFM in a VIA package can be allowed to fall to 15V during a line dropout at full load. In this case, the circuit should not disable the downstream regulator if the input voltage falls after it is turned on; therefore, some form of hysteresis or latching is needed on the enable signal for the constant-power load. The output capacitance of the PFM in a VIA package should also be sized appropriately for a constant-power load to prevent collapse of the output voltage of the module during line dropout (see Hold up Capacitance on Page 17). A constant-power load can be turned off after completion of the required hold up time during the power-down sequence or can be allowed to turn off when it reaches its own undervoltage shutdown point.

The timing diagram in Figure 25 shows the output voltage of the PFM in a VIA package and the downstream regulator’s enable pin voltage and output voltage of the PRM regulator for the power up and power down sequence. It is recommended to keep the time delay approximately 10 to 20ms.

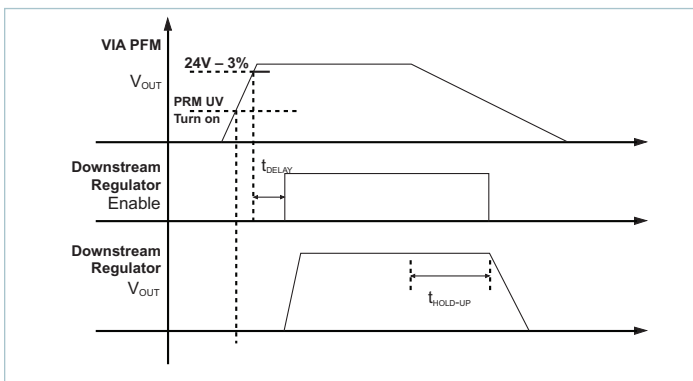


Figure 25 — PRM enable hold-off waveforms

Special care should be taken when enabling the constant-power load near the auto-ranger threshold, especially with an inductive source upstream of the PFM in a VIA package. A load current spike may cause a large input voltage transient, resulting in a range change which could temporarily reduce the available power (see Adaptive Cell™ Topology below).

Adaptive Cell™ Topology

The Adaptive Cell topology utilizes magnetically coupled “top” and “bottom” primary cells that are adaptively configured in series or parallel by a configuration controller comprised of an array of switches. A microcontroller monitors operating conditions and defines the configuration of the top and bottom cells through a range control signal.

A comparator inside the microcontroller monitors the line voltage and compares it to an internal voltage reference.

If the input voltage of the PFM crosses above the positive going cell reconfiguration threshold voltage, the top cell and bottom cell configure in series and the unit operates in “high” range.

If the peak of input voltage of the unit falls below the negative-going range threshold voltage for two line cycles, the cell configuration controller configures the top cell and bottom cell in parallel, the unit operates in “low” range.

Power processing is held off while transitioning between ranges and the output voltage of the unit may temporarily droop. External output hold up capacitance should be sized to support power delivery to the load during cell reconfiguration. The minimum specified external output capacitance is sufficient to provide adequate ride-through during cell reconfiguration for typical applications. Waveforms showing active cell reconfiguration can be seen in Figure 9.

Dielectric Withstand

The chassis of the PFM is required to be connected to Protective Earth when installed in the end application and must satisfy the requirements of IEC 60950-1 for Class I products. Both sides of the housing are required to be connected to Protective Earth to satisfy safety and EMI requirements. Protective earthing can be accomplished through dedicated wiring harness (example: ring terminal clamped by mounting screw) or surface contact (example: pressure contact on bare conductive chassis or PCB copper layer with no solder mask).

The PFM contains an internal safety approved isolating component (ChiP™) that provides the Reinforced Insulation from Input to Output. The isolating component is individually tested for Reinforced Insulation from Input to Output at 3000V_{AC} or 4242V_{DC} prior to the final assembly of the PFM in a VIA package.

When the VIA assembly is complete the Reinforced Insulation can only be tested at Basic Insulation values as specified in the electric strength Test Procedure noted in clause 5.2.2 of IEC 60950-1.

Test Procedure Note from IEC 60950-1

“For equipment incorporating both REINFORCED INSULATION and lower grades of insulation, care is taken that the voltage applied to the REINFORCED INSULATION does not overstress BASIC INSULATION or SUPPLEMENTARY INSULATION.”

Summary

The final package assembly contains basic insulation from input to case, reinforced insulation from input to output, and functional insulation from output to case.

The output of the PFM in a VIA package complies with the requirements of SELV circuits so only functional insulation is required from the output (SELV) to case (PE) because the case is required to be connected to protective earth in the final installation. The construction of the PFM in a VIA package can be summarized by describing it as a “Class II” component installed in a “Class I” subassembly. The reinforced insulation from input to output can only be tested at a basic insulation value of $2121V_{DC}$ on the completely assembled VIA package.

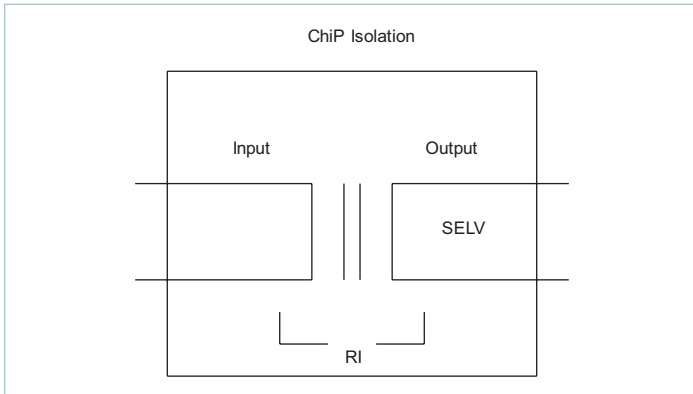


Figure 26 — PFM in a ChiP™ package before final assembly in the VIA package

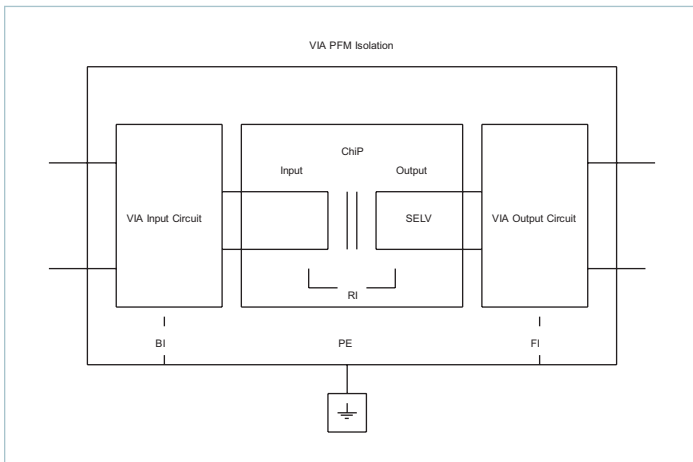
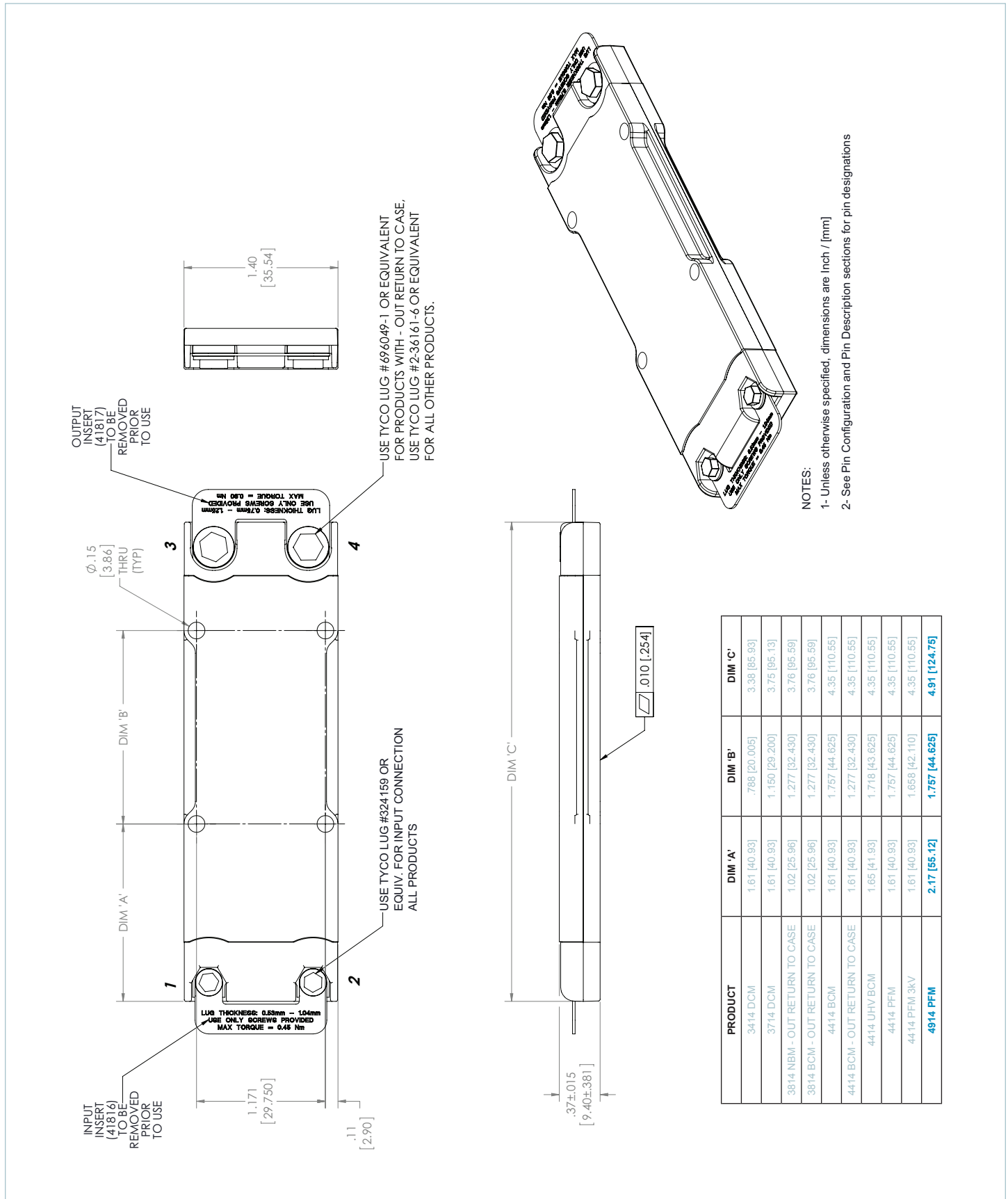


Figure 27 — PFM in a VIA package after final assembly

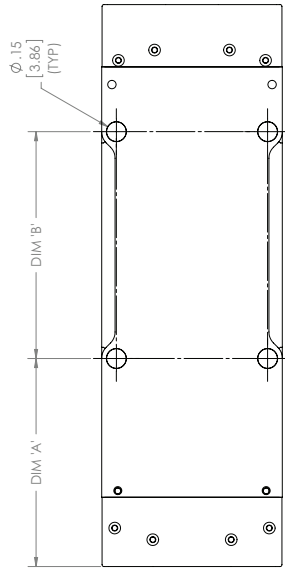
PFM in a VIA Package Chassis-Mount Package Mechanical Drawing



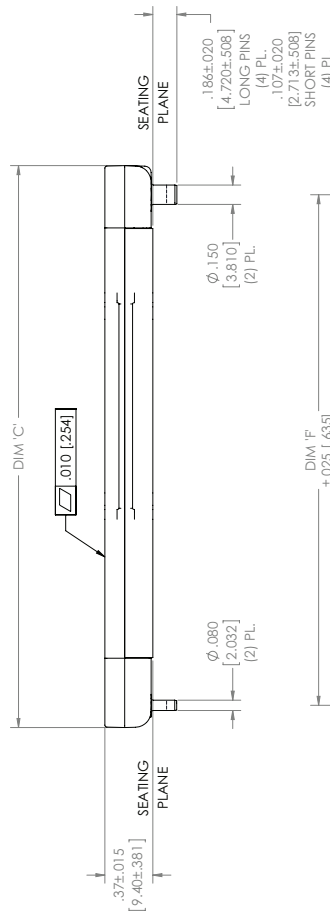
Product outline drawing; product outline drawings are available in .pdf and .dxf formats.
3D mechanical models are available in .pdf and .step formats.

PFM in a VIA Package PCB-Mount Package Mechanical Drawing

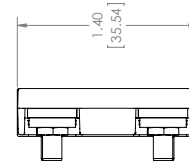
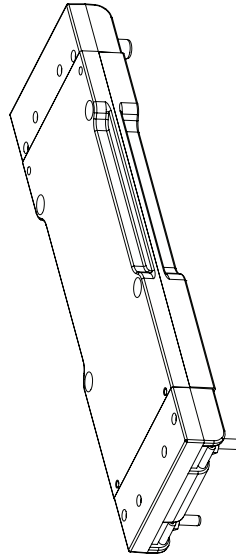
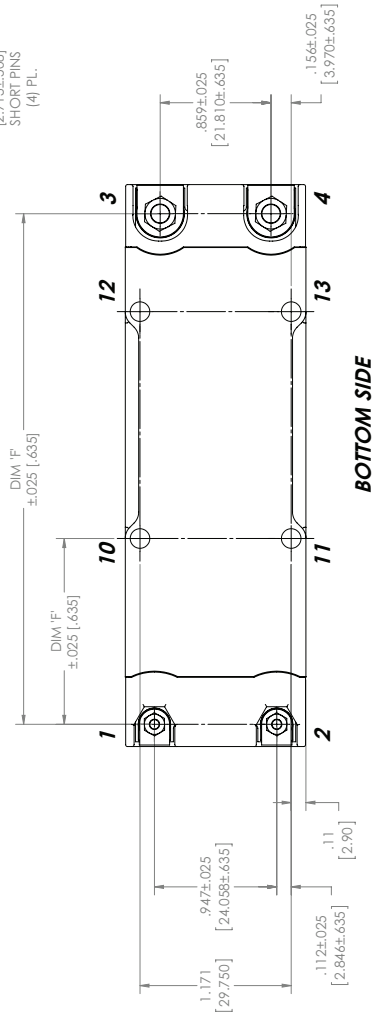
PRODUCT	DIM 'A'	DIM 'B'	DIM 'C'	DIM 'D'	DIM 'E'
3414 DCM	1.61 [40.93]	.768 [20.005]	3.38 [85.93]	2.988 [75.897]	1.439 [36.554]
3714 DCM	1.61 [40.93]	1.150 [29.200]	3.75 [95.13]	3.350 [85.092]	1.439 [36.554]
4414 BCM	1.61 [40.93]	1.757 [44.625]	4.35 [110.55]	3.957 [100.517]	1.439 [36.554]
4414 UHV BCM	1.65 [41.93]	1.718 [43.625]	4.35 [110.55]	3.957 [100.517]	1.479 [37.554]
4414 PFM	1.61 [40.93]	1.757 [44.625]	4.35 [110.55]	3.957 [100.517]	1.439 [36.554]
4414 PFM 3kV	1.61 [40.93]	1.658 [42.110]	4.35 [110.55]	3.957 [100.517]	1.439 [36.554]
4914 PFM	2.17 [55.12]	1.757 [44.625]	4.91 [124.75]	4.517 [114.741]	1.999 [50.777]



TOP VIEW
(COMPONENT SIDE)

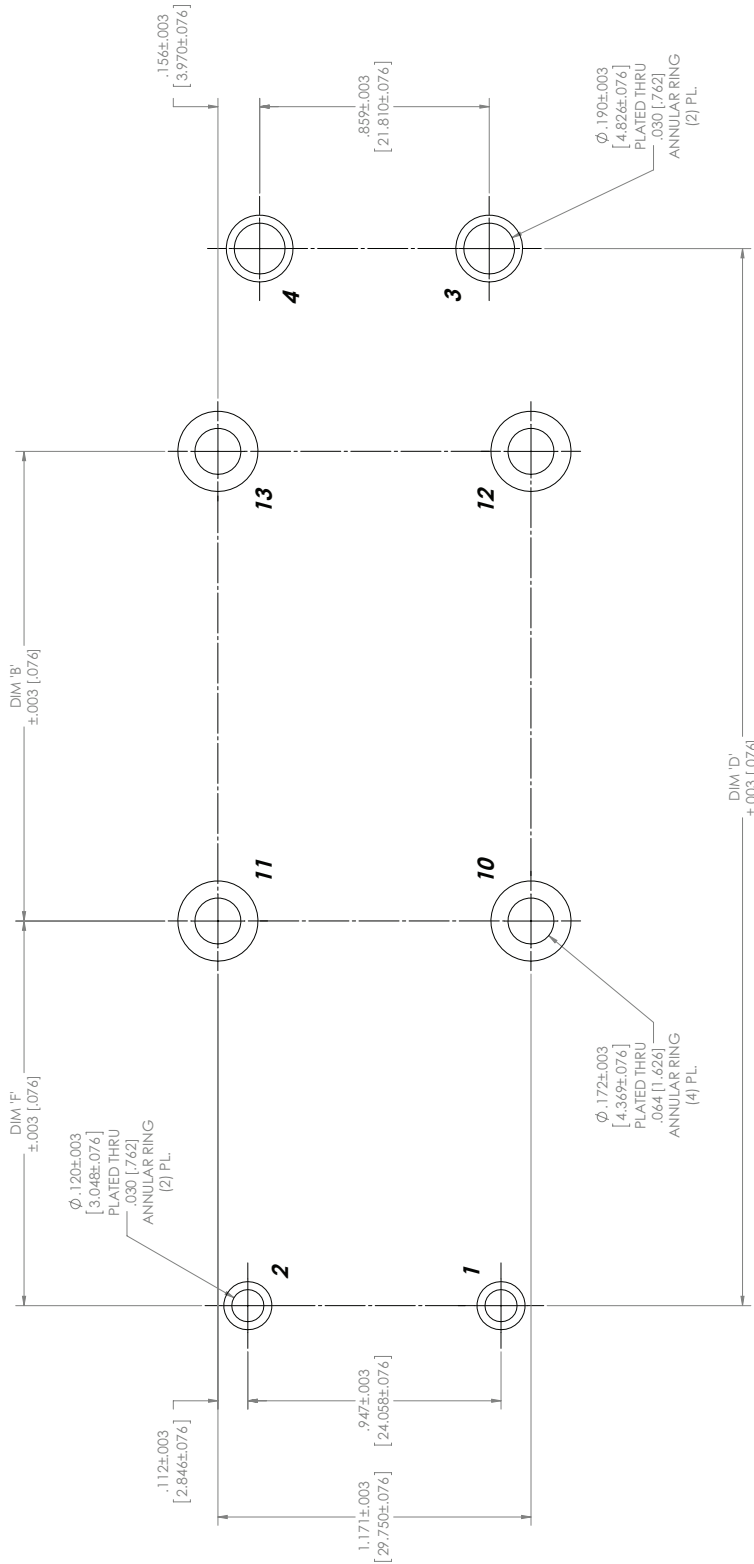


NOTES:
1- Unless otherwise specified, dimensions are inch [mm]
2- See Pin Configuration and Pin Description sections for pin designations



PFM in a VIA Package PCB-Mount Package Recommended Land Pattern

PRODUCT	DIM 'A'	DIM 'B'	DIM 'C'	DIM 'D'	DIM 'E'
3414 DCM	1.61 [40.93]	.788 [20.005]	3.38 [85.93]	2.988 [75.897]	1.439 [36.554]
3714 DCM	1.61 [40.93]	1.150 [29.200]	3.75 [95.13]	3.350 [85.092]	1.439 [36.554]
4414 BCM	1.61 [40.93]	1.757 [44.625]	4.35 [110.55]	3.957 [100.517]	1.439 [36.554]
4414 UHV BCM	1.65 [41.93]	1.718 [43.625]	4.35 [110.55]	3.957 [100.517]	1.479 [37.554]
4414 PFM	1.61 [40.93]	1.757 [44.625]	4.35 [110.55]	3.957 [100.517]	1.439 [36.554]
4414 PFM 3kV	1.61 [40.93]	1.658 [42.110]	4.35 [110.55]	3.957 [100.517]	1.439 [36.554]
4914 PFM	2.17 [55.12]	1.757 [44.625]	4.91 [124.75]	4.517 [114.741]	1.999 [50.777]



RECOMMENDED HOLE PATTERN
(COMPONENT SIDE)

- NOTES:
 1- Unless otherwise specified, dimensions are Inch [mm]
 2- See Pin Configuration and Pin Description sections for pin designations

Revision History

Revision	Date	Description	Page Number(s)
1.0	05/15/15	Initial release	n/a
1.1	05/15	Mechanical drawing change	20
1.2	06/10/15	Revised typical application part numbers Grounding note added Pin name change	2, 3 18 20
1.3	07/16/15	Added Pin Configuration and Description page Added Source Inductor Consideration note Added Safety Approvals Added Source Inductor Consideration section Updated Mechanical drawing	4 6 14 16 21
1.4	08/02/17	PFM in a VIA package nomenclature and Product ratings table added Corrected ULVO labels to UVLO Updated thermal model parameters Added "fuse" to list of external components required to meet surge level 3 Updated typical application information Updated pin configuration Updated storage temperature, input-output isolation test voltage Clarified power output specifications Clarified EMI filtering information Updated package drawings	1 7 14 15 2-3 4 5 6 15, 18 21-23
1.5	08/31/18	Updated mechanical specifications Updated mechanical drawings	13 21 – 23

Vicor's comprehensive line of power solutions includes high density AC-DC and DC-DC modules and accessory components, fully configurable AC-DC and DC-DC power supplies, and complete custom power systems.

Information furnished by Vicor is believed to be accurate and reliable. However, no responsibility is assumed by Vicor for its use. Vicor makes no representations or warranties with respect to the accuracy or completeness of the contents of this publication. Vicor reserves the right to make changes to any products, specifications, and product descriptions at any time without notice. Information published by Vicor has been checked and is believed to be accurate at the time it was printed; however, Vicor assumes no responsibility for inaccuracies. Testing and other quality controls are used to the extent Vicor deems necessary to support Vicor's product warranty. Except where mandated by government requirements, testing of all parameters of each product is not necessarily performed.

Specifications are subject to change without notice.

Visit <http://www.vicorpower.com/ac-dc/converters/isolated-ac-dc-converter-pfc> for the latest product information.

Vicor's Standard Terms and Conditions and Product Warranty

All sales are subject to Vicor's Standard Terms and Conditions of Sale, and Product Warranty which are available on Vicor's webpage (<http://www.vicorpower.com/termsconditionswarranty>) or upon request.

Life Support Policy

VICOR'S PRODUCTS ARE NOT AUTHORIZED FOR USE AS CRITICAL COMPONENTS IN LIFE SUPPORT DEVICES OR SYSTEMS WITHOUT THE EXPRESS PRIOR WRITTEN APPROVAL OF THE CHIEF EXECUTIVE OFFICER AND GENERAL COUNSEL OF VICOR CORPORATION. As used herein, life support devices or systems are devices which (a) are intended for surgical implant into the body, or (b) support or sustain life and whose failure to perform when properly used in accordance with instructions for use provided in the labeling can be reasonably expected to result in a significant injury to the user. A critical component is any component in a life support device or system whose failure to perform can be reasonably expected to cause the failure of the life support device or system or to affect its safety or effectiveness. Per Vicor Terms and Conditions of Sale, the user of Vicor products and components in life support applications assumes all risks of such use and indemnifies Vicor against all liability and damages.

Intellectual Property Notice

Vicor and its subsidiaries own Intellectual Property (including issued U.S. and Foreign Patents and pending patent applications) relating to the products described in this data sheet. No license, whether express, implied, or arising by estoppel or otherwise, to any intellectual property rights is granted by this document. Interested parties should contact Vicor's Intellectual Property Department.

The products described on this data sheet are protected by the following U.S. Patents Numbers:
Patents Pending.

Contact Us: <http://www.vicorpower.com/contact-us>

Vicor Corporation
25 Frontage Road
Andover, MA, USA 01810
Tel: 800-735-6200
Fax: 978-475-6715
www.vicorpower.com

email

Customer Service: custserv@vicorpower.com
Technical Support: apps@vicorpower.com

Mouser Electronics

Authorized Distributor

Click to View Pricing, Inventory, Delivery & Lifecycle Information:

[Vicor:](#)

[PFM4914BB6M24D0C04](#) [PFM4914BB6M24D0T08](#) [PFM4914BB6M24D0T04](#) [PFM4914VB6M24D0T00](#)
[PFM4914VB6M24D0C00](#) [PFM4914BB6M24D0C08](#)