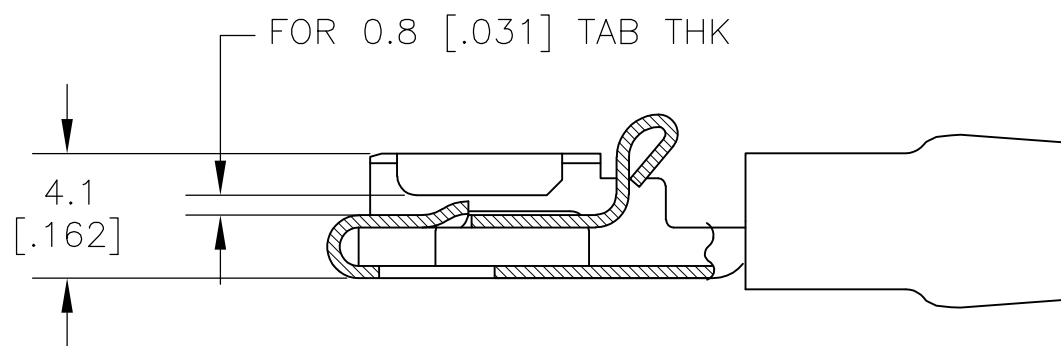
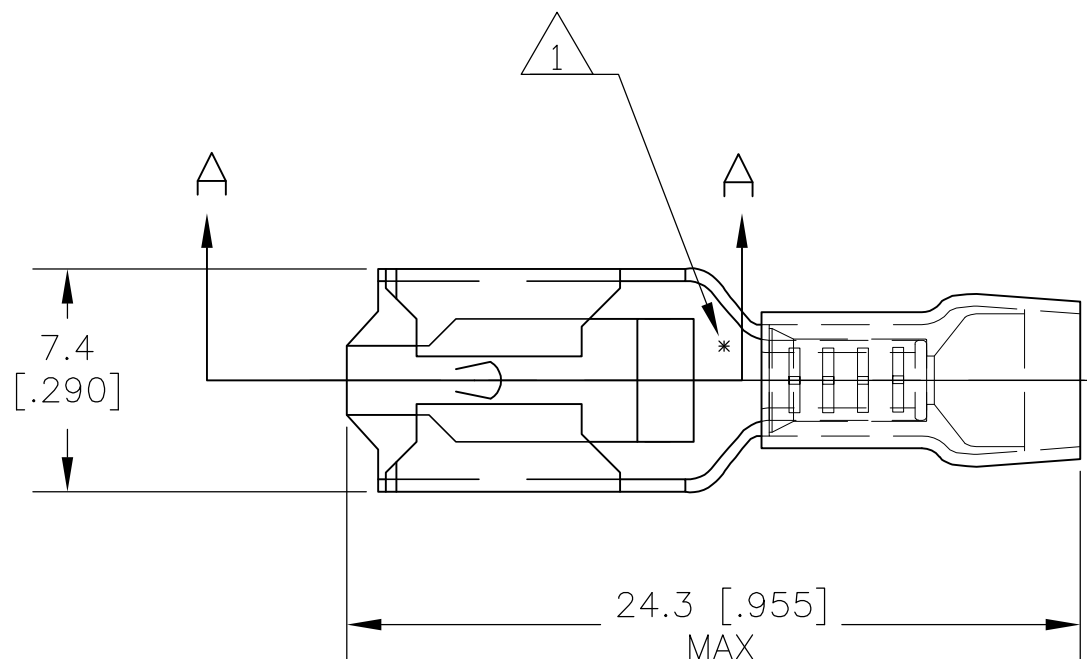


THIS DRAWING IS UNPUBLISHED. RELEASED FOR PUBLICATION
 © COPYRIGHT BY TYCO ELECTRONICS CORPORATION. ALL RIGHTS RESERVED.

LOC	DIST	REVISIONS			
P	LTR	DESCRIPTION	DATE	DWN	APVD
G	02	E4	REVISED PER ECR-09-022430	13OCT09	JR TM



SECTION A-A

- 1 ASTERISK * FOR PHOS BRONZE ITEMS ONLY.
- 2 TAPE-MOUNTED VERSION OF 165536-1
- 3 BODY - BRASS PER ASTM B36
SLEEVE - COPPER PER ASTM B152
INSULATION - NYLON
- 4 BODY - TIN PLATE PER ASTM B545
SLEEVE - TIN PLATE PER ASTM B545
INSULATION - COLOR - BLUE
- 5 90°C MAX OPERATING TEMP
- 6 300 VOLT MAX
- 7 PRELIMINARY - NOT FOR PRODUCTION

FINISH	MATERIAL	PART No.
2 TIN PLATED	BRASS	7 2-165536-2
TIN PLATED	PHOS BRONZE 1	165536-2
TIN PLATED	BRASS	165536-1

THIS DRAWING IS A CONTROLLED DOCUMENT.		DWN jr_ruth 15JAN07	Tyco Electronics Corporation Harrisburg, PA 17105-3608	
DIMENSIONS: MM [INCHES]		CHK T MICHELUTTI 15JAN07	NAME RECEPTACLE, 6.35 [.250] SERIES, POSITIVE-LOCK, PIDG, WIRE SIZE: 1.5-2.5MM2	
TOLERANCES UNLESS OTHERWISE SPECIFIED: 0 PLC ± - 1 PLC ± - 2 PLC ± - 3 PLC ± 0.25 [.010] 4 PLC ± - ANGLES ± 5°		APVD T MICHELUTTI 15JAN07	PRODUCT SPEC	
MATERIAL - 3		APPLICATION SPEC		RESTRICTED TO
FINISH - 4		WEIGHT -		SCALE 4:1
CUSTOMER DRAWING		SIZE A3	CAGE CODE 00779	DRAWING NO G-165536
		SHEET 1 OF 1		REV E4