

YASMEEN-35-S

~15° spot beam. Assembly with holder B (BJB and B+W). Black and white versions.

SPECIFICATION:

Dimensions	Ø 35.0 mm
Height	18 mm
Fastening	socket
ROHS compliant	yes ⓘ

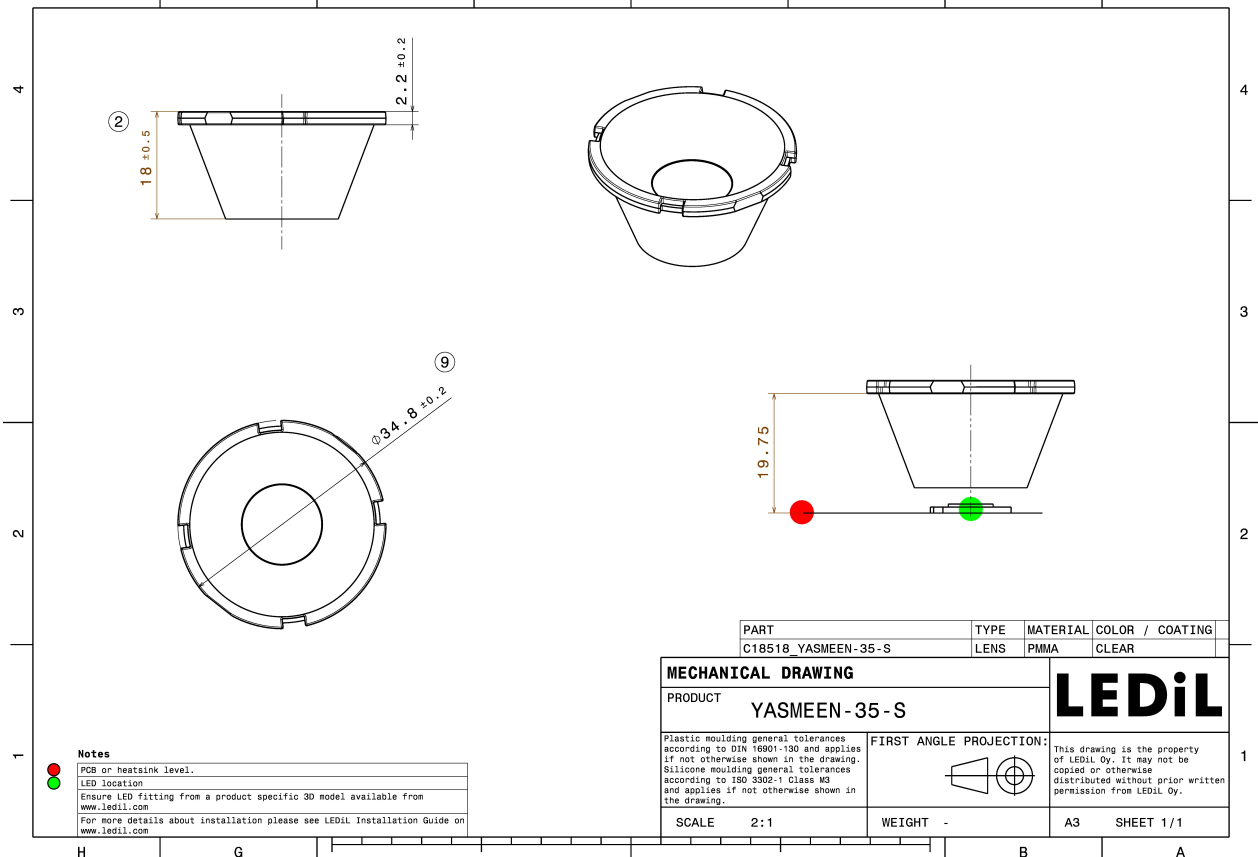
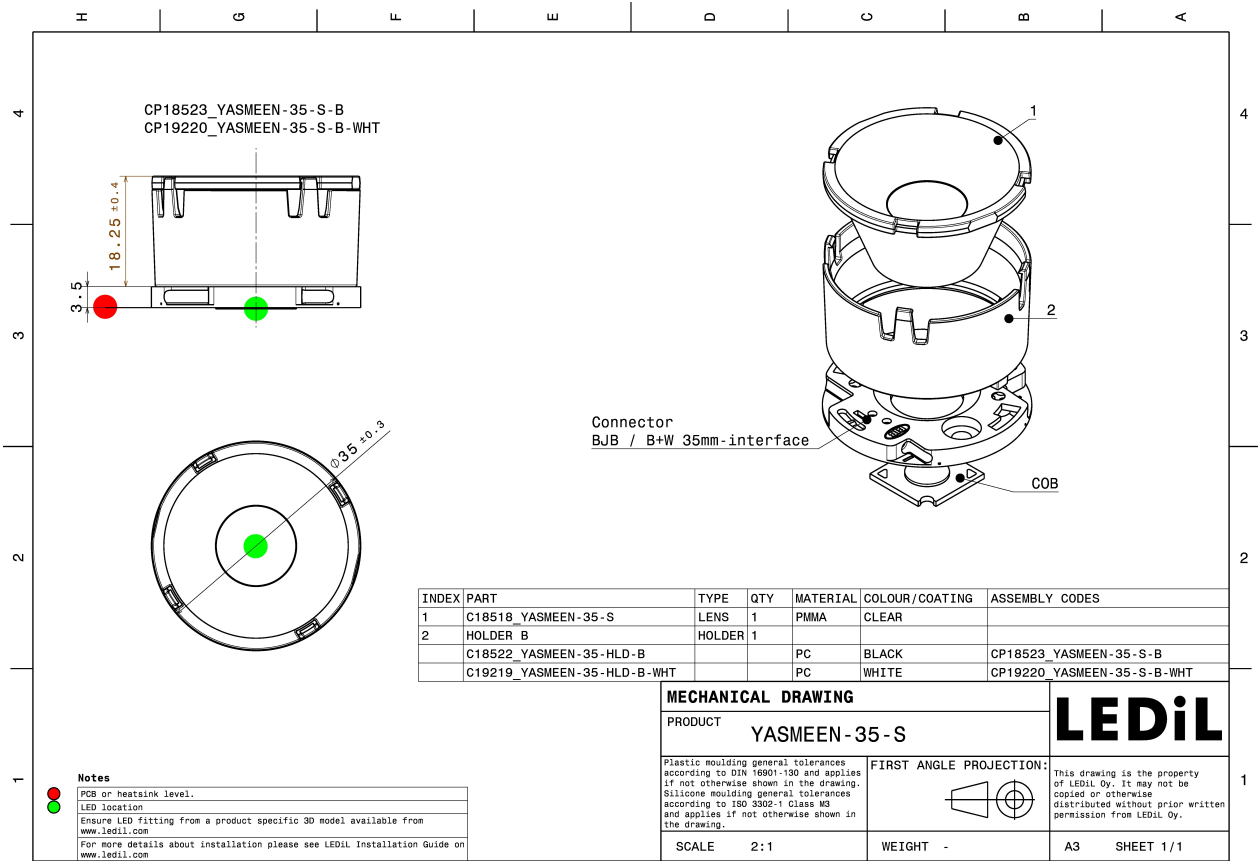
MATERIALS:

Component	Type	Material	Colour	Finish
YASMEEN-35-S	Single lens	PMMA	clear	gloss
YASMEEN-35-HLD-B	Holder B	PC	black	



ORDERING INFORMATION:

Component	Qty in box	MOQ	MPQ	Box weight (kg)
C18518_YASMEEN-35-S	900	120	60	8.4
Assembly				
CP18523_YASMEEN-35-S-B	780	120	60	9.2

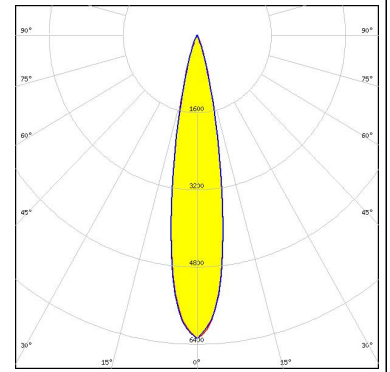


See also our general installation guide: www.ledil.com/installation_guide

OPTICAL RESULTS (SIMULATED):

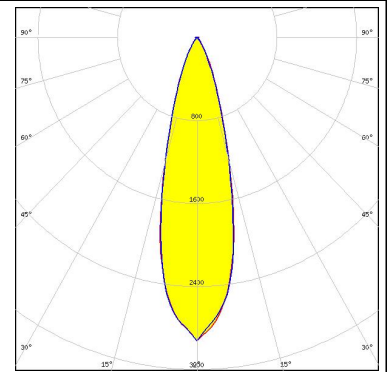


LED V6 HD Gen 7
Ordering code CP18523_YASMEEN-35-S-B
FWHM / FWTM 20.0° / 36.0°
Efficiency 89 %
Peak intensity 6.3 cd/lm
LEDs/each optic 1
Light colour White
Required components:
BJB: 47.360.1020



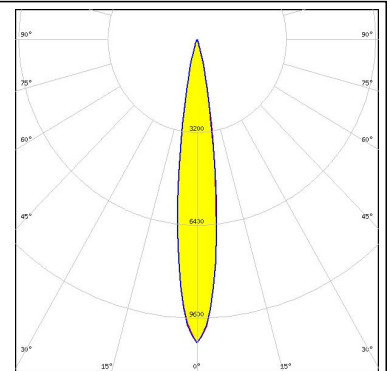
CITIZEN

LED CLL02x/CLU02x (LES10)
Ordering code CP18523_YASMEEN-35-S-B
FWHM / FWTM 28.0° / 53.0°
Efficiency 84 %
Peak intensity 2.9 cd/lm
LEDs/each optic 1
Light colour White
Required components:
BJB: 47.360.1020

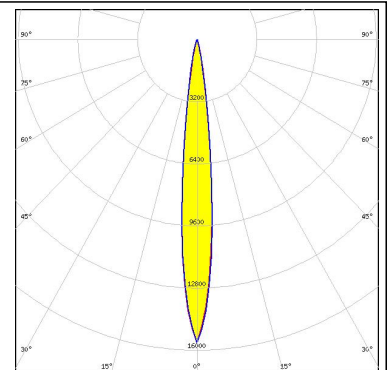


CITIZEN

LED CLU7A2/7A3
Ordering code CP18523_YASMEEN-35-S-B
FWHM / FWTM 14.0° / 28.0°
Efficiency 88 %
Peak intensity 10.5 cd/lm
LEDs/each optic 1
Light colour White
Required components:
BJB: 47.360.1020



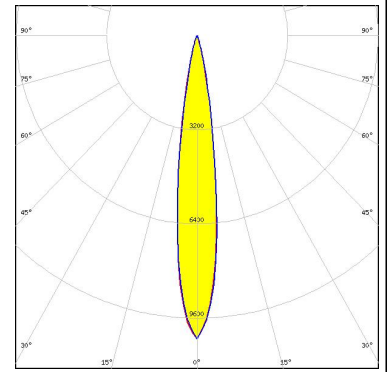
LED CHA0304
Ordering code CP18523_YASMEEN-35-S-B
FWHM / FWTM 12.0° / 23.0°
Efficiency 88 %
Peak intensity 15.6 cd/lm
LEDs/each optic 1
Light colour White
Required components:
BJB: 47.360.1020



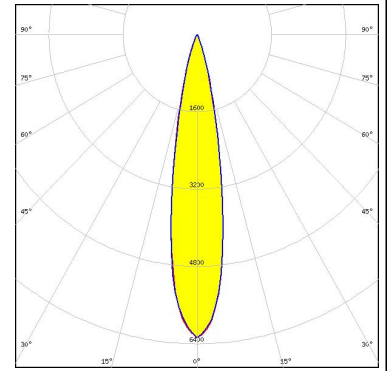
OPTICAL RESULTS (SIMULATED):



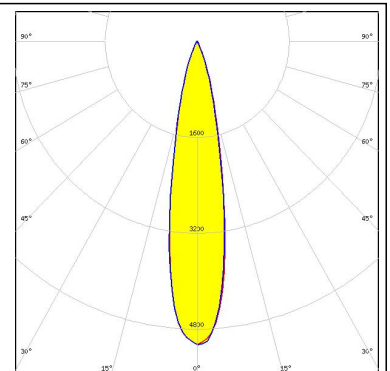
LED: CHA0410
Ordering code: CP18523_YASMEEN-35-S-B
FWHM / FWTM: 16.0° / 28.0°
Efficiency: 88 %
Peak intensity: 10.3 cd/lm
LEDs/each optic: 1
Light colour: White
Required components:
BJB: 47.360.1020



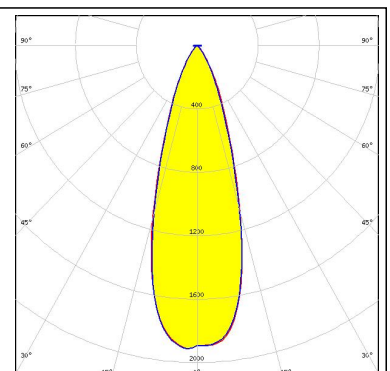
LED: CHA0612
Ordering code: CP18523_YASMEEN-35-S-B
FWHM / FWTM: 20.0° / 36.0°
Efficiency: 88 %
Peak intensity: 6.3 cd/lm
LEDs/each optic: 1
Light colour: White
Required components:
BJB: 47.360.1020



LED: CxM-6 (13.5x13.5)
Ordering code: CP18523_YASMEEN-35-S-B
FWHM / FWTM: 20.0° / 41.0°
Efficiency: 87 %
Peak intensity: 5.1 cd/lm
LEDs/each optic: 1
Light colour: White
Required components:
BJB: 47.360.1020



LED: LC030C/040C G2
Ordering code: CP18523_YASMEEN-35-S-B
FWHM / FWTM: 32.0° / 62.0°
Efficiency: 77 %
Peak intensity: 1.9 cd/lm
LEDs/each optic: 1
Light colour: White
Required components:
BJB: 47.360.1010



GENERAL INFORMATION:

NOTE: The typical beam angle will be changed by different color, chip size and chip position tolerance. The typical total beam angle is the full angle measured where the luminous intensity is half of the peak value.

Due to use of high power COB's with this product, special attention to proper thermal design is highly recommended. LEDiL has no liability for direct, indirect or consecutive damages arising from the LEDiL products being used outside of the recommended temperature range.

MATERIALS:

As part of our continuous research and improvement processes, and to ensure the best possible quality and availability of our products, LEDiL reserves the right to change material grades without notice.

PRODUCT DATA USER AGREEMENT AND DISCLAIMER:

The measured data in the provided downloadable LEDiL Product Datasheets and Mechanical 2D-Drawings is rounded and provided as reference for planning. LEDiL Oy's optical specifications have been verified by conducting performance testing of the products in accordance with the company's quality system. The reported data are averaged results of multiple measurements with typical variation. LEDiL Oy reserves the right to without prior notification make changes and improvements to its products.

LEDiL Oy assumes neither warranty, nor guarantee nor any other liability of any kind for the contents and correctness of the provided data. The provided data has been generated with highest diligence but the provided data may in reality not represent the complete possible variation range of all intrinsic parameters. Therefore, in certain cases a deviation from the provided data could occur.

LEDiL Oy reserves the right to undertake technical changes of its products without further notification which could lead to changes in the provided data. LEDiL Oy assumes no liability of any kind for the possible deviation from any provided data or any other damage resulting from the usage of the provided data.

The user agrees to this disclaimer and user agreement with the download or usage of the provided files.

LEDiL Oy

Joensuunkatu 13
FI-24240 SALO
Finland

LEDiL Inc.

228 West Page Street
Suite D
Sycamore IL 60178
USA

Ledil Optics Technology (Shenzhen) Co., Ltd.

405 , Block B
Casic Motor Building
Shenzhen 518057
P.R.CHINA

Local sales and technical support

[www.ledil.com/
where_to_buy](http://www.ledil.com/where_to_buy)

Shipping locations

Salo, Finland
Hong Kong, China

Distribution Partners

[www.ledil.com/
where_to_buy](http://www.ledil.com/where_to_buy)

Mouser Electronics

Authorized Distributor

Click to View Pricing, Inventory, Delivery & Lifecycle Information:

Ledil:

[CP18523_YASMEEN-35-S-B](#)