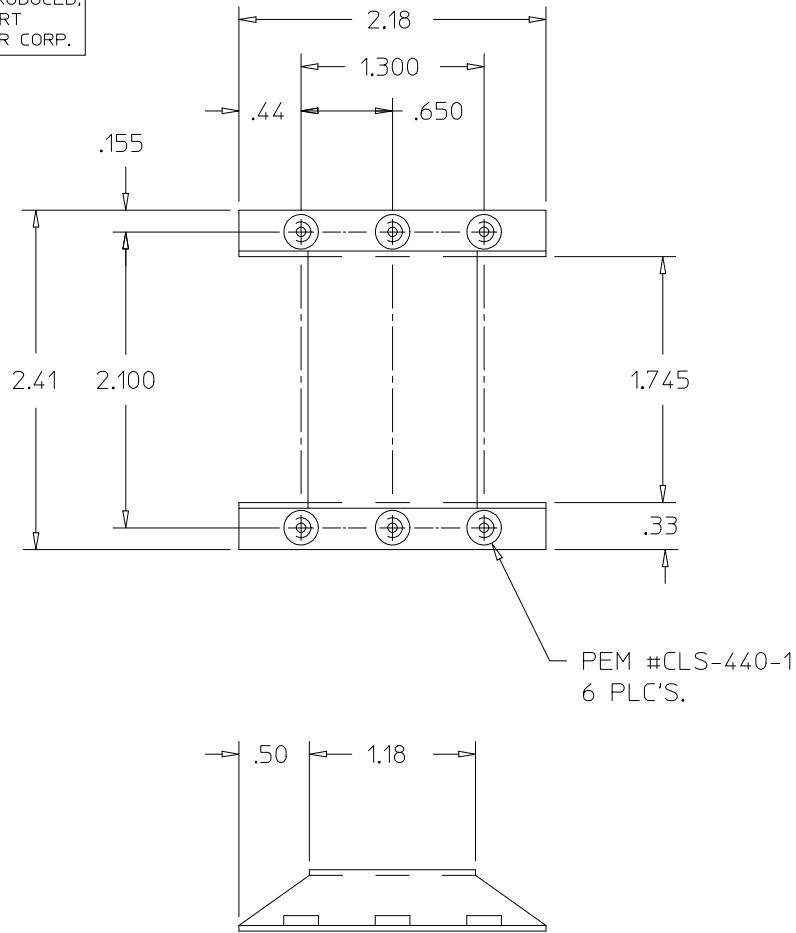
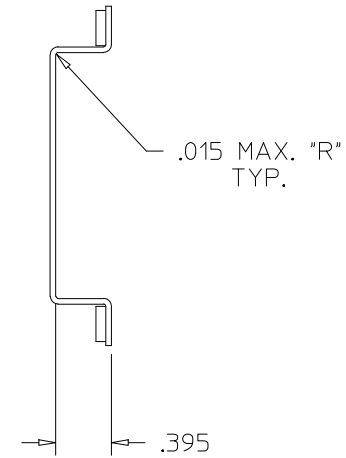


**VICOR CONFIDENTIAL**

THIS DOCUMENT AND THE DATA DISCLOSED HEREIN OR HEREWITH IS NOT TO BE REPRODUCED, USED, OR DISCLOSED IN WHOLE OR IN PART TO ANYONE WITHOUT PERMISSION OF VICOR CORP.


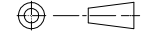


REV.	DESCRIPTION	DATE	APPROVED
1	RELEASED PER E054248	01/03/06	ECF
2	REVISED PER E060602	03/16/06	ECF



**NOTES:**

1. MATERIAL: 5052-H32 AL .040 THK.
2. REMOVE ALL BURRS AND SHARP EDGES.
3. CLEAR FINISH, RoHS COMPLIANT, CHROMIUM FREE PER CST-0001 LATEST REVISION.

DRAWN BY <i>P.E.IENI</i>		DATE 12/15/05		 <b>SHIELD MINI MOD</b>	
<small>UNLESS OTHERWISE SPECIFIED DIMENSIONS ARE IN INCHES - TOLERANCES ARE:                  FRACTIONS DECIMALS ANGLES                  ±1/64 .XX= ±.01 ±1°                  .XXX=±.005</small>					
THIRD ANGLE PROJECTION 		SIZE <b>B</b>	FSCM NO. <b>67131</b>	DWG NO. <b>32184</b>	REV <b>2</b>
DO NOT SCALE DRAWING		SCALE FULL	SHEET 1 OF 1		

# Mouser Electronics

Authorized Distributor

Click to View Pricing, Inventory, Delivery & Lifecycle Information:

[Vicor:](#)

[32184](#)