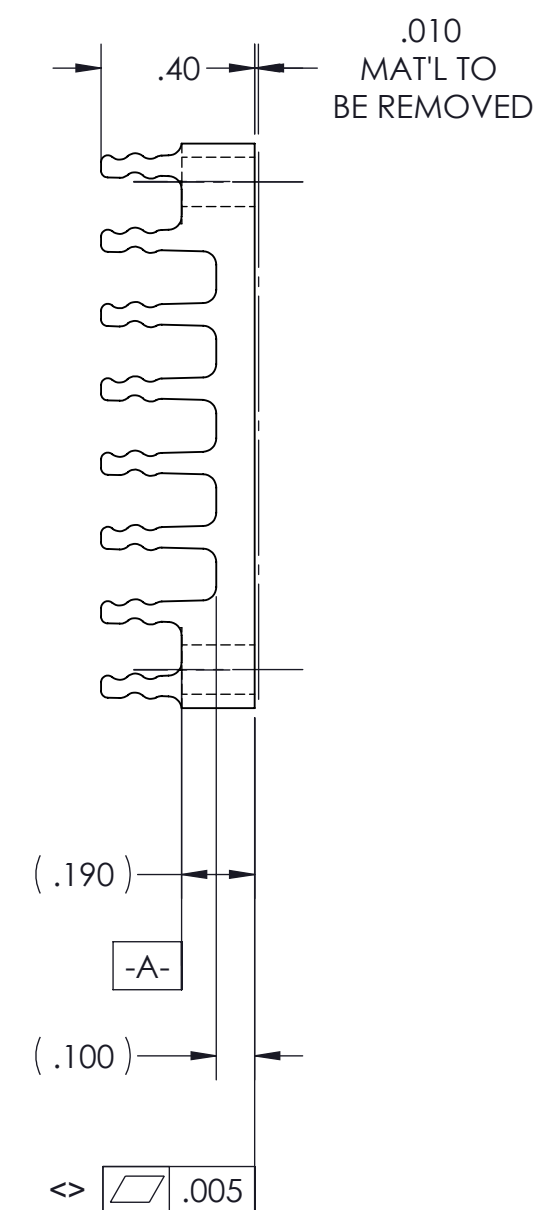
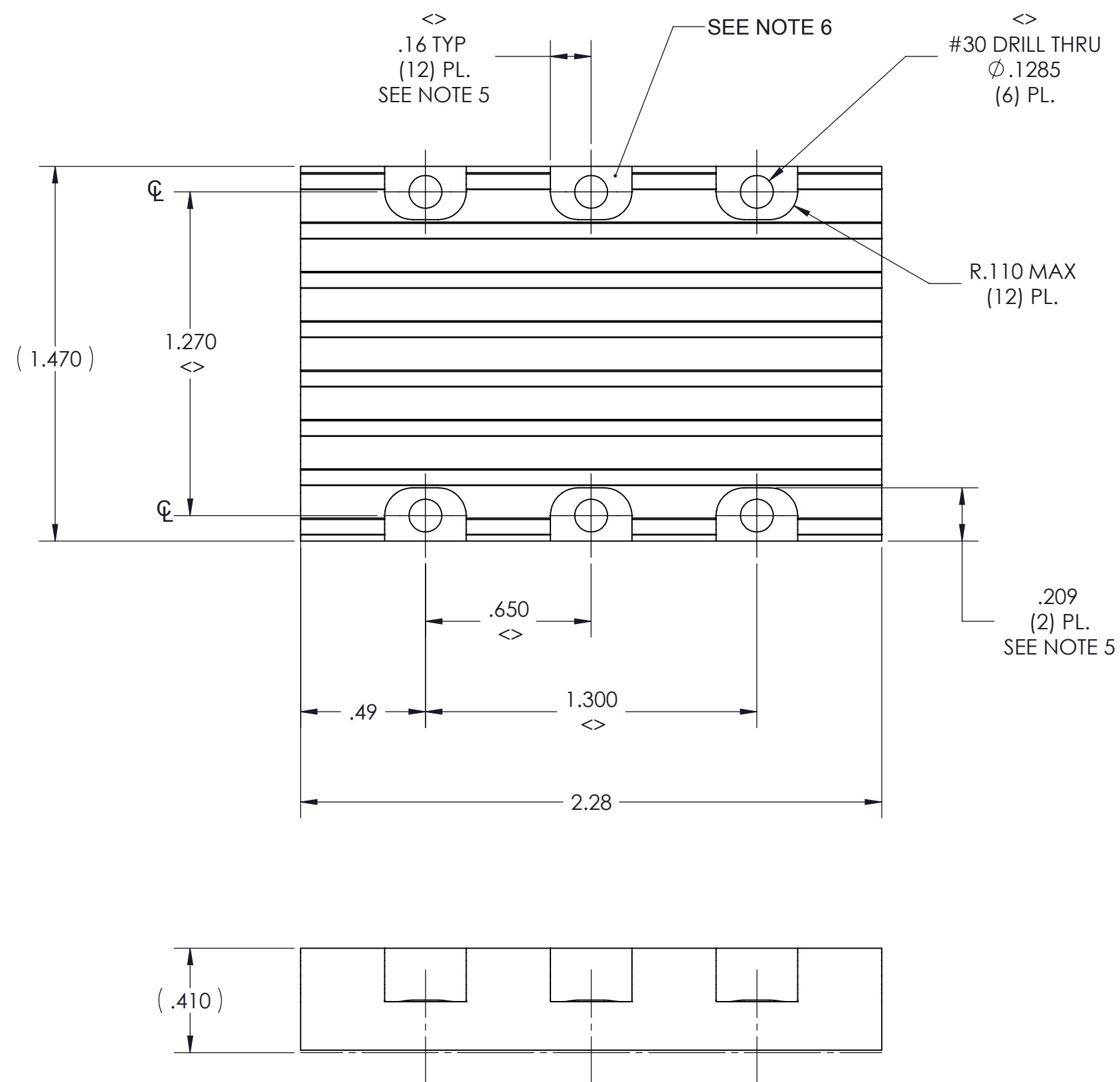


VICOR CONFIDENTIAL

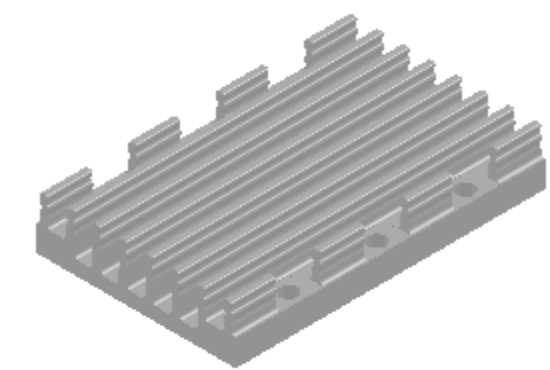
THIS DOCUMENT AND THE DATA DISCLOSED HEREIN OR HEREWITH IS NOT TO BE REPRODUCED, USED OR DISCLOSED IN WHOLE OR IN PART TO ANYONE WITHOUT THE PERMISSION OF VICOR CORP.

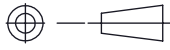
REV.	DESCRIPTION	DATE	APPROVED
1	RELEASED PER E053437	LEK 11/15/05	EF
2	REVISED PER E090758	AR 05/08/09	REJH
3	REVISED PER E091807	GCK 10/8/09	MM
4	REDRAWN PER E100902	DCS 7/14/10	KUK
5	REVISED PER E120702	ZMB 07/31/12	REJH



NOTES:

1. MATERIAL: EXTRUSION SEE SHEET 2 OF 2
2. REMOVE ALL BURRS AND SHARP EDGES.
3. CLEAR FINISH, RoHS COMPLAINT PER CST-0001, LATEST REVISION PER A)CHROMIUM FREE, OR B)TRIVALENT CHROMIUM IN ACCORDANCE WITH MIL-DTL-5541, TYPE II, CLASSS 1A OR 3. SEE CST-0003 FOR TYPES OF AVAILABLE FINISHES.
4. "<>" DENOTES CRITICAL CHARACTERISTIC FOR LOT INSPECTION.
5. DIMENSION APPLIES AT SURFACE -A- (12) PL.
6. MACHINED SURFACE TO BE .010 MAX BELOW SURFACE -A- (6) PL.
7. DIMENSIONS ARE INCHES ONLY.



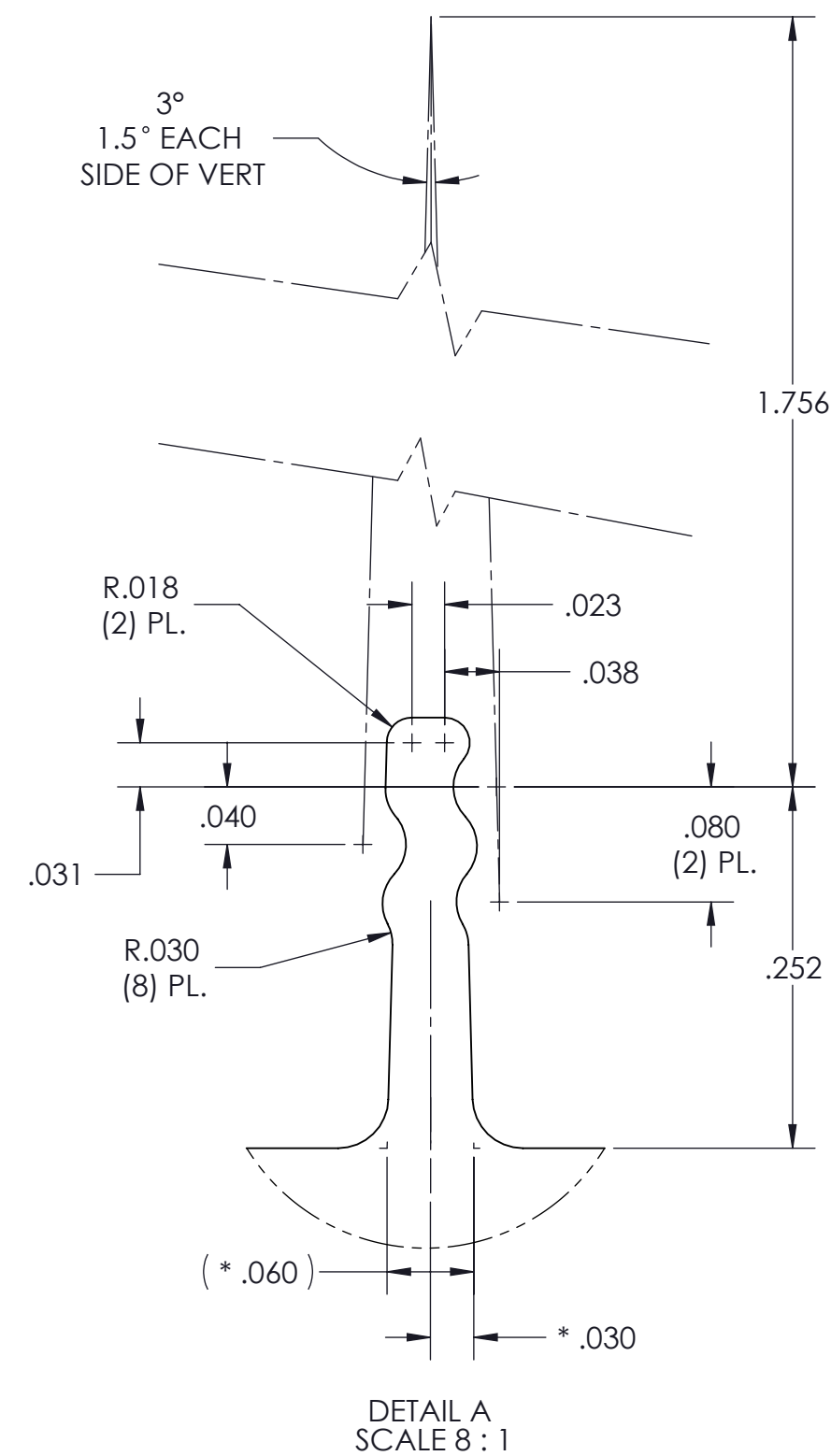
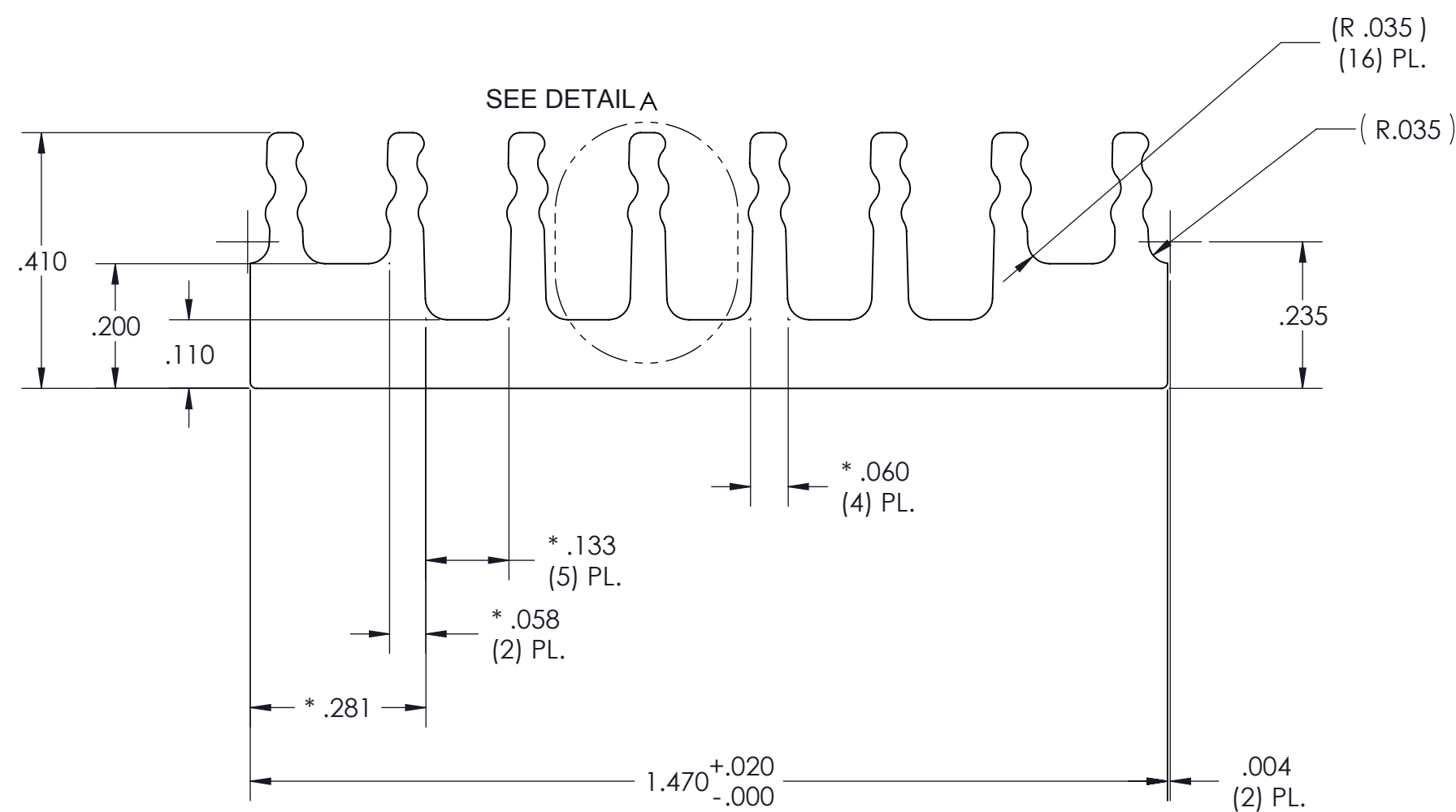
DRAWN BY D.P. KELLY	DATE 11/97	<b>VICOR</b> SWD	
UNLESS OTHERWISE SPECIFIED DIMENSIONS ARE : INCH / (MM)		<b>HS CFG "C" LONG .4H, LOW FLOW, THRU HOLE</b>	
TOLERANCES ARE: DECIMALS      ANGLES X.XX [X.X] = ±0.01 [0.25]      ±1° X.XXX [X.XX] = ±0.005 [0.127]		SIZE <b>C</b>	CAGE CODE <b>67131</b>
THIRD ANGLE PROJECTION  DO NOT SCALE DRAWING		DWG NO <b>30719</b>	REV <b>5</b>
SCALE 2:1		SHEET 1 OF 2	

VICOR CONFIDENTIAL

THIS DOCUMENT AND THE DATA DISCLOSED HEREIN OR HEREWITH IS NOT TO BE REPRODUCED, USED OR DISCLOSED IN WHOLE OR IN PART TO ANYONE WITHOUT THE PERMISSION OF VICOR CORP.

REVISIONS

REV	DESCRIPTION	DATE	APPROVED
	SEE SHEET 1		



PROFILE COMMON FOR
30719
32174

NOTES:

- MAT'L: ALUMINUM 6063-T5"
- \* DENOTES DIMENSION TO THEORETICAL SHARP CORNER.
- DIMENSIONS ARE INCHES ONLY.

DRAWN BY ANUYUGH RAGIPANI	DATE 05/08/09	<b>VICOR</b> SWD		
UNLESS OTHERWISE SPECIFIED DIMENSIONS ARE : INCH / (MM)		<b>HS CFG "C" LONG .4H LOW FLOW, THRU HOLE, EXTRUSION</b>		
TOLERANCES ARE: DECIMALS                      ANGLES X.XX [X.X] = ±0.01 [0.25]                      ±1° X.XXX [X.XX] = ±0.005 [0.127]				
THIRD ANGLE PROJECTION 	SIZE <b>C</b>	CAGE CODE <b>67131</b>	DWG NO <b>30719</b>	REV <b>5</b>
DO NOT SCALE DRAWING	SCALE 2:1	SHEET 2 OF 2		

# Mouser Electronics

Authorized Distributor

Click to View Pricing, Inventory, Delivery & Lifecycle Information:

[Vicor:](#)

[30719](#)