

## 1.0 mA, 10 MHz Rail-to-Rail Op Amp

### Features

- Gain Bandwidth Product: 10 MHz (typical)
- Supply Current:  $I_Q = 1.0$  mA
- Supply Voltage: 2.4V to 6.0V
- Rail-to-Rail Input/Output
- Extended Temperature Range:  $-40^{\circ}\text{C}$  to  $+125^{\circ}\text{C}$
- Available in Single, Dual and Quad Packages
- High Temperature Range:  $-40^{\circ}\text{C}$  to  $+150^{\circ}\text{C}$
- Single with  $\overline{\text{CS}}$  (**MCP6293**)
- Dual with  $\overline{\text{CS}}$  (**MCP6295**)

### Applications

- Automotive (see [Product Identification System \(Automotive\)](#))
  - AEC-Q100 Qualified, Grade 1.
  - AEC-Q100 Qualified, Grade 0 (**MCP6292** H-Temp)
- Portable Equipment
- Photodiode Amplifier
- Analog Filters
- Notebooks and PDAs
- Battery-Powered Systems

### Design Aids

- SPICE Macro Models
- FilterLab<sup>®</sup> Software

- Mindi™ Simulation Tool
- MAPS (Microchip Advanced Part Selector)
- Analog Demonstration and Evaluation Boards
- Application Notes

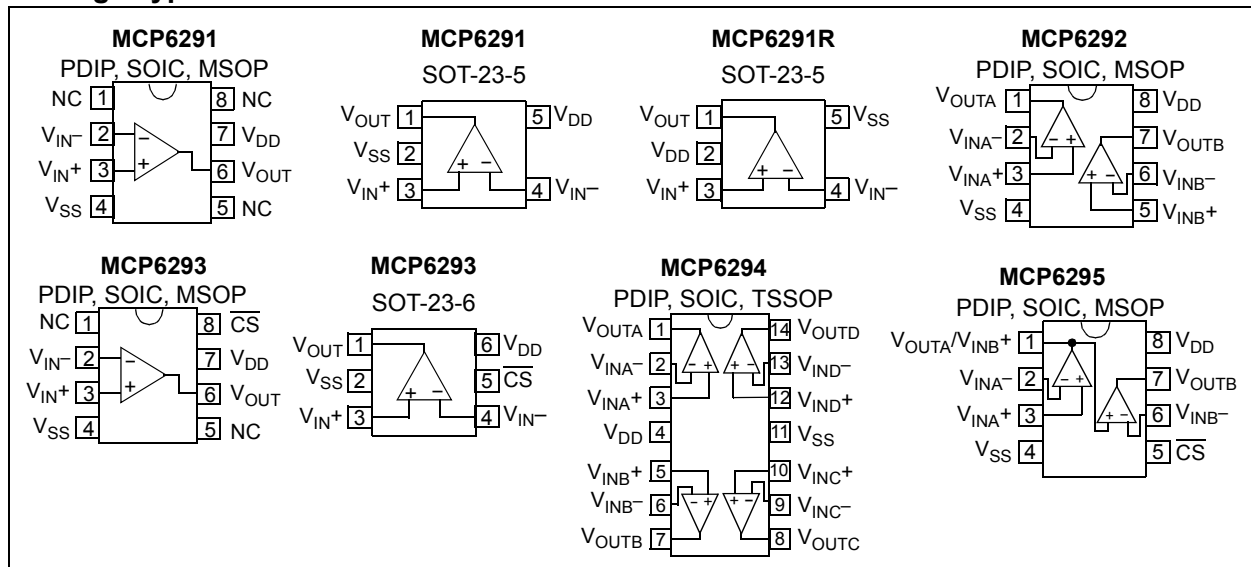
### Description

The Microchip Technology Inc. MCP6291/1R/2/3/4/5 family of operational amplifiers (op amps) provide wide bandwidth for the current. This family has a 10 MHz Gain Bandwidth Product (GBWP) and a  $65^{\circ}$  phase margin. This family also operates from a single supply voltage as low as 2.4V, while drawing 1 mA (typical) quiescent current. In addition, the MCP6291/1R/2/3/4/5 supports rail-to-rail input and output swing, with a Common-mode input voltage range of  $V_{DD} + 300$  mV to  $V_{SS} - 300$  mV. This family of operational amplifiers is designed with Microchip's advanced CMOS process.

The MCP6295 has a Chip Select ( $\overline{\text{CS}}$ ) input for dual op amps in an 8-pin package. This device is manufactured by cascading the two op amps, with the output of op amp A being connected to the noninverting input of op amp B. The  $\overline{\text{CS}}$  input puts the device in a Low-power mode.

The MCP6291/1R/2/3/4/5 family operates over the extended temperature range of  $-40^{\circ}\text{C}$  to  $+125^{\circ}\text{C}$ . The MCP6292 H-Temp part is available in the 8-Lead MSOP package and operates over the high temperature range of  $-40^{\circ}\text{C}$  to  $+150^{\circ}\text{C}$ . It also has a power supply range of 2.4V to 6.0V.

### Package Types



# MCP6291/1R/2/3/4/5

## 1.0 ELECTRICAL CHARACTERISTICS

### Absolute Maximum Ratings †

|  |                                    |
|--|------------------------------------|
| $V_{DD} - V_{SS}$ .....                          | 7.0V                               |
| Current at Input Pins .....                      | ±2 mA                              |
| Analog Inputs ( $V_{IN+}$ , $V_{IN-}$ ) †† ..... | $V_{SS} - 1.0V$ to $V_{DD} + 1.0V$ |
| All Other Inputs and Outputs .....               | $V_{SS} - 0.3V$ to $V_{DD} + 0.3V$ |
| Difference Input Voltage .....                   | $ V_{DD} - V_{SS} $                |
| Output Short Circuit Current ††† .....           | Continuous                         |
| Current at Output and Supply Pins ††† .....      | ±30 mA                             |
| Storage Temperature .....                        | -65°C to +150°C                    |
| Maximum Junction Temperature ( $T_J$ ) .....     | +155°C                             |
| ESD Protection On All Pins (HBM; CDM; MM) .....  | ≥ 4 kV; 2 kV; 400V                 |

† **Notice:** Stresses above those listed under “Absolute Maximum Ratings” may cause permanent damage to the device. This is a stress rating only and functional operation of the device at those or any other conditions above those indicated in the operational listings of this specification is not implied. Exposure to maximum rating conditions for extended periods may affect device reliability.

†† See [Section 4.1.2 “Input Voltage and Current Limits”](#).

††† Continuous short circuit at high temperatures may damage the device. See [Figure 2-45](#) for safe operating range.

### DC ELECTRICAL SPECIFICATIONS

| <b>Electrical Characteristics:</b> Unless otherwise indicated, $T_A = +25^\circ\text{C}$ , $V_{DD} = +2.4V$ to $+5.5V$ , $V_{SS} = \text{GND}$ , $V_{OUT} \approx V_{DD}/2$ , $V_{CM} = V_{DD}/2$ , $V_L = V_{DD}/2$ , $R_L = 10\text{ k}\Omega$ to $V_L$ and CS is tied low (refer to <a href="#">Figure 1-2</a> and <a href="#">Figure 1-3</a> ). |                            |                |              |                |                              |  |
|---|----------------------------|----------------|--------------|----------------|------------------------------|--|
| Parameters  | Sym.                       | Min.           | Typ.         | Max.           | Units                        | Conditions   |
| <b>Input Offset</b>   |                            |                |              |                |                              |  |
| Input Offset Voltage  | $V_{OS}$                   | -3.0           | —            | +3.0           | mV                           | $V_{CM} = V_{SS}$ ( <a href="#">Note 1</a> )   |
| Input Offset Voltage (High Temperature)   | $V_{OS}$                   | -5.0           | —            | +5.0           | mV                           | $T_A = -40^\circ\text{C}$ to $+150^\circ\text{C}$ , $V_{CM} = V_{SS}$ ( <a href="#">Note 6</a> ) |
| Input Offset Temperature Drift  | $\Delta V_{OS}/\Delta T_A$ | —              | ±1.7         | —              | $\mu\text{V}/^\circ\text{C}$ | $T_A = -40^\circ\text{C}$ to $+125^\circ\text{C}$ , $V_{CM} = V_{SS}$ ( <a href="#">Note 1</a> ) |
| Power Supply Rejection Ratio  | PSRR                       | 70             | 90           | —              | dB                           | $V_{CM} = V_{SS}$ ( <a href="#">Note 1</a> )   |
| <b>Input Bias, Input Offset Current and Impedance</b>   |                            |                |              |                |                              |  |
| Input Bias Current  | $I_B$                      | —              | ±1.0         | —              | $\mu\text{A}$                | <a href="#">Note 2</a>   |
| At Temperature  | $I_B$                      | —              | 50           | 200            | $\mu\text{A}$                | $T_A = +85^\circ\text{C}$ ( <a href="#">Note 2</a> )   |
| At Temperature  | $I_B$                      | —              | 2            | 5              | nA                           | $T_A = +125^\circ\text{C}$ ( <a href="#">Note 2</a> )  |
| At Temperature  | $I_B$                      | —              | 15           | 25             | nA                           | $T_A = +150^\circ\text{C}$ ( <a href="#">Note 6</a> )  |
| Input Offset Current  | $I_{OS}$                   | —              | ±1.0         | —              | $\mu\text{A}$                | <a href="#">Note 3</a>   |
| At Temperature  | $I_{OS}$                   | -3.5           | ±1.0         | +3.5           | nA                           | $T_A = +150^\circ\text{C}$ ( <a href="#">Note 6</a> )  |
| Common-mode Input Impedance   | $Z_{CM}$                   | —              | $10^{13}  6$ | —              | $\Omega  \text{pF}$          | <a href="#">Note 3</a>   |
| Differential Input Impedance  | $Z_{DIFF}$                 | —              | $10^{13}  3$ | —              | $\Omega  \text{pF}$          | <a href="#">Note 3</a>   |
| <b>Common-mode (<a href="#">Note 4</a>)</b>   |                            |                |              |                |                              |  |
| Common-mode Input Range   | $V_{CMR}$                  | $V_{SS} - 0.3$ | —            | $V_{DD} + 0.3$ | V                            |  |
| Common-mode Rejection Ratio   | CMRR                       | 70             | 85           | —              | dB                           | $V_{CM} = -0.3V$ to $2.5V$ , $V_{DD} = 5V$   |
| Common-mode Rejection Ratio   | CMRR                       | 65             | 80           | —              | dB                           | $V_{CM} = -0.3V$ to $5.3V$ , $V_{DD} = 5V$   |
| <b>Open-Loop Gain</b>   |                            |                |              |                |                              |  |

- Note 1:** The MCP6295's  $V_{CM}$  for op amp B (pins  $V_{OUTA}/V_{INB+}$  and  $V_{INB-}$ ) is  $V_{SS} + 100\text{ mV}$ .
- Note 2:** The current at the MCP6295's  $V_{INB-}$  pin is specified by  $I_B$  only.
- Note 3:** This specification does not apply to the MCP6295's  $V_{OUTA}/V_{INB+}$  pin.
- Note 4:** The MCP6295's  $V_{INB-}$  pin (op amp B) has a Common-mode range ( $V_{CMR}$ ) of  $V_{SS} + 100\text{ mV}$  to  $V_{DD} - 100\text{ mV}$ . The MCP6295's  $V_{OUTA}/V_{INB+}$  pin (op amp B) has a voltage range specified by  $V_{OH}$  and  $V_{OL}$ .
- Note 5:** All parts with date codes November 2007 and later have been screened to ensure operation at  $V_{DD} = 6.0V$ . However, the other minimum and maximum specifications are measured at 2.4V and or 5.5V.
- Note 6:** This specification at  $+150^\circ\text{C}$  only applies to MCP6292 H-Temp parts.

# MCP6291/1R/2/3/4/5

## DC ELECTRICAL SPECIFICATIONS (CONTINUED)

| <b>Electrical Characteristics:</b> Unless otherwise indicated, $T_A = +25^\circ\text{C}$ , $V_{DD} = +2.4\text{V to } +5.5\text{V}$ , $V_{SS} = \text{GND}$ , $V_{OUT} \approx V_{DD}/2$ , $V_{CM} = V_{DD}/2$ , $V_L = V_{DD}/2$ , $R_L = 10\text{ k}\Omega$ to $V_L$ and $\overline{\text{CS}}$ is tied low (refer to <a href="#">Figure 1-2</a> and <a href="#">Figure 1-3</a> ). |                  |               |          |               |       |  |
|--|------------------|---------------|----------|---------------|-------|--|
| Parameters   | Sym.             | Min.          | Typ.     | Max.          | Units | Conditions   |
| DC Open-Loop Gain (Large Signal)   | $A_{OL}$         | 90            | 110      | —             | dB    | $V_{OUT} = 0.2\text{V to } V_{DD} - 0.2\text{V}$ , $V_{CM} = V_{SS}$ ( <b>Note 1</b> ) |
| <b>Output</b>  |                  |               |          |               |       |  |
| Maximum Output Voltage Swing   | $V_{OL}, V_{OH}$ | $V_{SS} + 15$ | —        | $V_{DD} - 15$ | mV    | 0.5V Input Overdrive   |
| Maximum Output Voltage Swing (High Temperature)  | $V_{OL}, V_{OH}$ | $V_{SS} + 15$ | —        | $V_{DD} - 15$ | mV    | $T_A = +150^\circ\text{C}$ ( <b>Note 6</b> )<br>0.5V Input Overdrive                   |
| Output Short Circuit Current   | $I_{SC}$         | —             | $\pm 25$ | —             | mA    |  |
| <b>Power Supply</b>  |                  |               |          |               |       |  |
| Supply Voltage   | $V_{DD}$         | 2.4           | —        | 6.0           | V     | $T_A = -40^\circ\text{C to } +125^\circ\text{C}$ ( <b>Note 5</b> )                     |
| Supply Voltage   | $V_{DD}$         | 2.4           | —        | 6.0           | V     | $T_A = -40^\circ\text{C to } +150^\circ\text{C}$ ( <b>Note 6</b> )                     |
| Quiescent Current per Amplifier  | $I_Q$            | 0.7           | 1.0      | 1.3           | mA    | $I_O = 0$  |
| Quiescent Current per Amplifier (High Temperature)   | $I_Q$            | 0.9           | 1.2      | 1.5           | mA    | $I_O = 0$<br>$T_A = +150^\circ\text{C}$ ( <b>Note 6</b> )                              |

- Note 1:** The MCP6295's  $V_{CM}$  for op amp B (pins  $V_{OUTA}/V_{INB+}$  and  $V_{INB-}$ ) is  $V_{SS} + 100\text{ mV}$ .
- Note 2:** The current at the MCP6295's  $V_{INB-}$  pin is specified by  $I_B$  only.
- Note 3:** This specification does not apply to the MCP6295's  $V_{OUTA}/V_{INB+}$  pin.
- Note 4:** The MCP6295's  $V_{INB-}$  pin (op amp B) has a Common-mode range ( $V_{CMR}$ ) of  $V_{SS} + 100\text{ mV}$  to  $V_{DD} - 100\text{ mV}$ . The MCP6295's  $V_{OUTA}/V_{INB+}$  pin (op amp B) has a voltage range specified by  $V_{OH}$  and  $V_{OL}$ .
- Note 5:** All parts with date codes November 2007 and later have been screened to ensure operation at  $V_{DD} = 6.0\text{V}$ . However, the other minimum and maximum specifications are measured at 2.4V and or 5.5V.
- Note 6:** This specification at  $+150^\circ\text{C}$  only applies to MCP6292 H-Temp parts.

## AC ELECTRICAL SPECIFICATIONS

| <b>Electrical Characteristics:</b> Unless otherwise indicated, $T_A = +25^\circ\text{C}$ , $V_{DD} = +2.4\text{V to } +5.5\text{V}$ , $V_{SS} = \text{GND}$ , $V_{CM} = V_{DD}/2$ , $V_{OUT} \approx V_{DD}/2$ , $V_L = V_{DD}/2$ , $R_L = 10\text{ k}\Omega$ to $V_L$ , $C_L = 60\text{ pF}$ , and $\overline{\text{CS}}$ is tied low (refer to <a href="#">Figure 1-2</a> and <a href="#">Figure 1-3</a> ). |          |      |      |      |                        |                                      |
|---|----------|------|------|------|------------------------|--------------------------------------|
| Parameters  | Sym.     | Min. | Typ. | Max. | Units                  | Conditions                           |
| <b>AC Response</b>  |          |      |      |      |                        |                                      |
| Gain Bandwidth Product  | GBWP     | —    | 10.0 | —    | MHz                    |                                      |
| Phase Margin at Unity-Gain  | PM       | —    | 65   | —    | $^\circ$               | $G = +1\text{ V/V}$                  |
| Slew Rate   | SR       | —    | 7    | —    | V/ $\mu\text{s}$       |                                      |
| <b>Noise</b>  |          |      |      |      |                        |                                      |
| Input Noise Voltage   | $E_{ni}$ | —    | 4.2  | —    | $\mu\text{V}_{P-P}$    | $f = 0.1\text{ Hz to } 10\text{ Hz}$ |
| Input Noise Voltage Density   | $e_{ni}$ | —    | 8.7  | —    | nV/ $\sqrt{\text{Hz}}$ | $f = 10\text{ kHz}$                  |
| Input Noise Current Density   | $i_{ni}$ | —    | 3    | —    | fA/ $\sqrt{\text{Hz}}$ | $f = 1\text{ kHz}$                   |

# MCP6291/1R/2/3/4/5

## MCP6293/MCP6295 CHIP SELECT ( $\overline{\text{CS}}$ ) SPECIFICATIONS

**Electrical Characteristics:** Unless otherwise indicated,  $T_A = +25^\circ\text{C}$ ,  $V_{DD} = +2.4\text{V}$  to  $+5.5\text{V}$ ,  $V_{SS} = \text{GND}$ ,  $V_{CM} = V_{DD}/2$ ,  $V_{OUT} \approx V_{DD}/2$ ,  $V_L = V_{DD}/2$ ,  $R_L = 10\text{ k}\Omega$  to  $V_L$ ,  $C_L = 60\text{ pF}$ , and  $\overline{\text{CS}}$  is tied low (refer to [Figure 1-2](#) and [Figure 1-3](#)).

| Parameters   | Sym.       | Min.         | Typ. | Max.         | Units         | Conditions   |
|--|------------|--------------|------|--------------|---------------|--|
| <b>CS Low Specifications</b>                                       |            |              |      |              |               |  |
| $\overline{\text{CS}}$ Logic Threshold, Low                        | $V_{IL}$   | $V_{SS}$     | —    | $0.2 V_{DD}$ | V             |  |
| $\overline{\text{CS}}$ Input Current, Low                          | $I_{CSL}$  | —            | 0.01 | —            | $\mu\text{A}$ | $\overline{\text{CS}} = V_{SS}$  |
| <b>CS High Specifications</b>                                      |            |              |      |              |               |  |
| $\overline{\text{CS}}$ Logic Threshold, High                       | $V_{IH}$   | $0.8 V_{DD}$ | —    | $V_{DD}$     | V             |  |
| $\overline{\text{CS}}$ Input Current, High                         | $I_{CSH}$  | —            | 0.7  | 2            | $\mu\text{A}$ | $\overline{\text{CS}} = V_{DD}$  |
| GND Current per Amplifier  | $I_{SS}$   | —            | -0.7 | —            | $\mu\text{A}$ | $\overline{\text{CS}} = V_{DD}$  |
| Amplifier Output Leakage   | —          | —            | 0.01 | —            | $\mu\text{A}$ | $\overline{\text{CS}} = V_{DD}$  |
| <b>Dynamic Specifications (Note 1)</b>                             |            |              |      |              |               |  |
| $\overline{\text{CS}}$ Low to Valid Amplifier Output, Turn-on Time | $t_{ON}$   | —            | 4    | 10           | $\mu\text{s}$ | $\overline{\text{CS}}$ Low $\leq 0.2 V_{DD}$ , $G = +1\text{ V/V}$ , $V_{IN} = V_{DD}/2$ , $V_{OUT} = 0.9 V_{DD}/2$ , $V_{DD} = 5.0\text{V}$ |
| $\overline{\text{CS}}$ High to Amplifier Output High-Z             | $t_{OFF}$  | —            | 0.01 | —            | $\mu\text{s}$ | $\overline{\text{CS}}$ High $\geq 0.8 V_{DD}$ , $G = +1\text{ V/V}$ , $V_{IN} = V_{DD}/2$ , $V_{OUT} = 0.1 V_{DD}/2$                         |
| Hysteresis   | $V_{HYST}$ | —            | 0.6  | —            | V             | $V_{DD} = 5\text{V}$   |

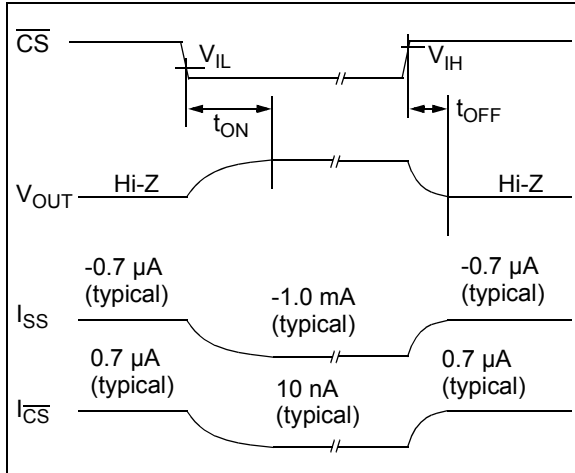
**Note 1:** The input condition ( $V_{IN}$ ) specified applies to both op amp A and B of the MCP6295. The dynamic specification is tested at the output of op amp B ( $V_{OUTB}$ ).

## TEMPERATURE SPECIFICATIONS

**Electrical Characteristics:** Unless otherwise indicated,  $V_{DD} = +2.4\text{V}$  to  $+5.5\text{V}$  and  $V_{SS} = \text{GND}$ .

| Parameters                           | Sym           | Min | Typ | Max  | Units              | Conditions |
|--------------------------------------|---------------|-----|-----|------|--------------------|------------|
| <b>Temperature Ranges</b>            |               |     |     |      |                    |            |
| Operating Temperature Range (E Temp) | $T_A$         | -40 | —   | +125 | $^\circ\text{C}$   | Note       |
| Operating Temperature Range (H Temp) | $T_A$         | -40 | —   | +150 | $^\circ\text{C}$   |            |
| Storage Temperature Range            | $T_A$         | -65 | —   | +150 | $^\circ\text{C}$   |            |
| <b>Thermal Package Resistances</b>   |               |     |     |      |                    |            |
| Thermal Resistance, 5L-SOT-23        | $\theta_{JA}$ | —   | 256 | —    | $^\circ\text{C/W}$ |            |
| Thermal Resistance, 6L-SOT-23        | $\theta_{JA}$ | —   | 230 | —    | $^\circ\text{C/W}$ |            |
| Thermal Resistance, 8L-PDIP          | $\theta_{JA}$ | —   | 85  | —    | $^\circ\text{C/W}$ |            |
| Thermal Resistance, 8L-SOIC          | $\theta_{JA}$ | —   | 163 | —    | $^\circ\text{C/W}$ |            |
| Thermal Resistance, 8L-MSOP          | $\theta_{JA}$ | —   | 206 | —    | $^\circ\text{C/W}$ |            |
| Thermal Resistance, 14L-PDIP         | $\theta_{JA}$ | —   | 70  | —    | $^\circ\text{C/W}$ |            |
| Thermal Resistance, 14L-SOIC         | $\theta_{JA}$ | —   | 120 | —    | $^\circ\text{C/W}$ |            |
| Thermal Resistance, 14L-TSSOP        | $\theta_{JA}$ | —   | 100 | —    | $^\circ\text{C/W}$ |            |

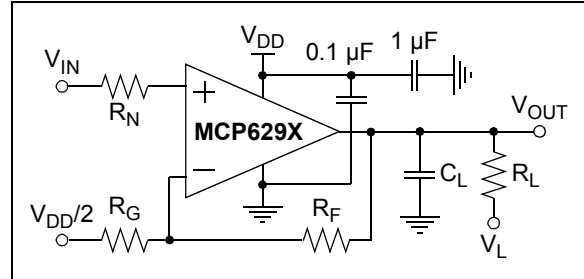
**Note:** The Junction Temperature ( $T_J$ ) must not exceed the Absolute Maximum specification of  $+155^\circ\text{C}$ .



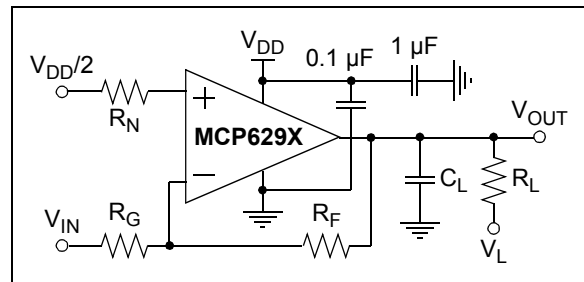
**FIGURE 1-1:** Timing Diagram for the Chip Select ( $\overline{\text{CS}}$ ) Pin on the MCP6293 and MCP6295.

## 1.1 Test Circuits

The test circuits used for the DC and AC tests are shown in Figure 1-2 and Figure 1-2. The bypass capacitors are laid out according to the rules discussed in Section 4.6 “Supply Bypass”.



**FIGURE 1-2:** AC and DC Test Circuit for Most Noninverting Gain Conditions.



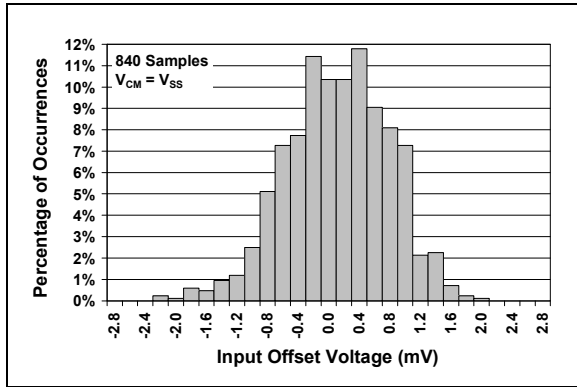
**FIGURE 1-3:** AC and DC Test Circuit for Most Inverting Gain Conditions.

# MCP6291/1R/2/3/4/5

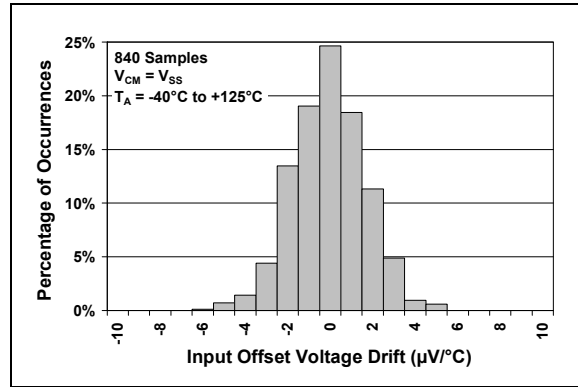
## 2.0 TYPICAL PERFORMANCE CURVES

**Note:** The graphs and tables provided following this note are a statistical summary based on a limited number of samples and are provided for informational purposes only. The performance characteristics listed herein are not tested or guaranteed. In some graphs or tables, the data presented may be outside the specified operating range (e.g., outside specified power supply range) and therefore outside the warranted range.

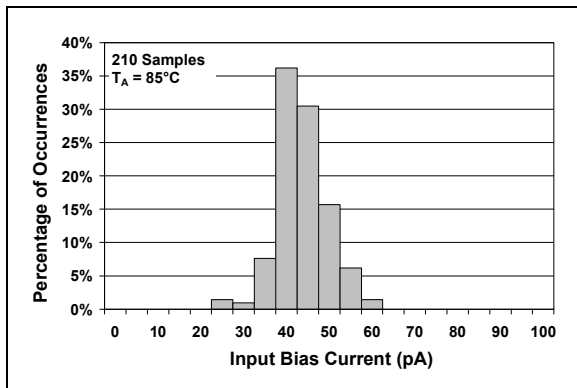
**Note:** Unless otherwise indicated,  $T_A = +25^\circ\text{C}$ ,  $V_{DD} = +2.4\text{V}$  to  $+5.5\text{V}$ ,  $V_{SS} = \text{GND}$ ,  $V_{CM} = V_{DD}/2$ ,  $V_{OUT} \approx V_{DD}/2$ ,  $V_L = V_{DD}/2$ ,  $R_L = 10\text{ k}\Omega$  to  $V_L$ ,  $C_L = 60\text{ pF}$ , and CS is tied low.



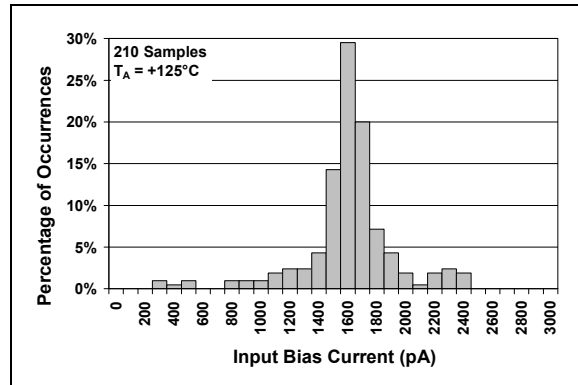
**FIGURE 2-1:** Input Offset Voltage.



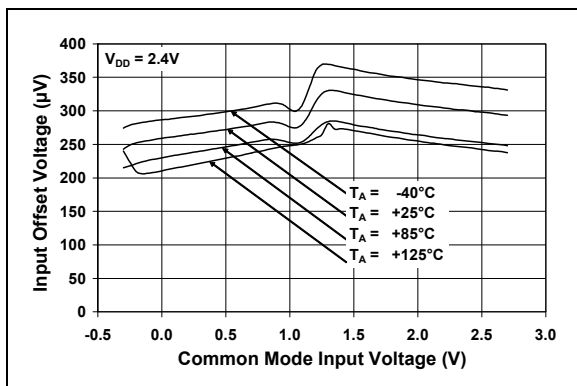
**FIGURE 2-4:** Input Offset Voltage Drift.



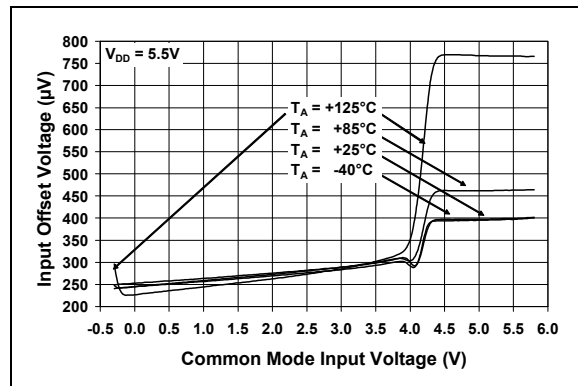
**FIGURE 2-2:** Input Bias Current at  $T_A = +85^\circ\text{C}$ .



**FIGURE 2-5:** Input Bias Current at  $T_A = +125^\circ\text{C}$ .



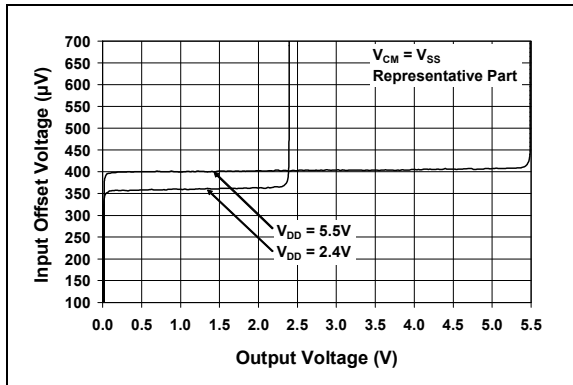
**FIGURE 2-3:** Input Offset Voltage vs. Common-mode Input Voltage at  $V_{DD} = 2.4\text{V}$ .



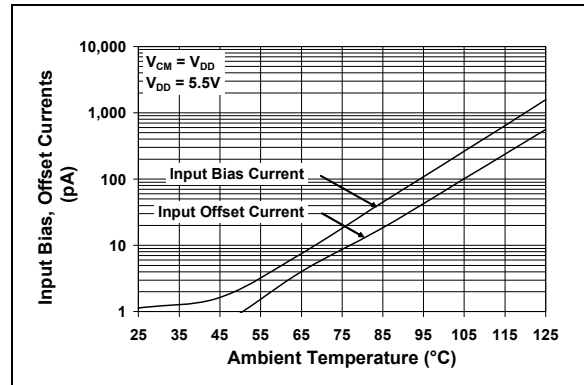
**FIGURE 2-6:** Input Offset Voltage vs. Common-mode Input Voltage at  $V_{DD} = 5.5\text{V}$ .

## TYPICAL PERFORMANCE CURVES (CONTINUED)

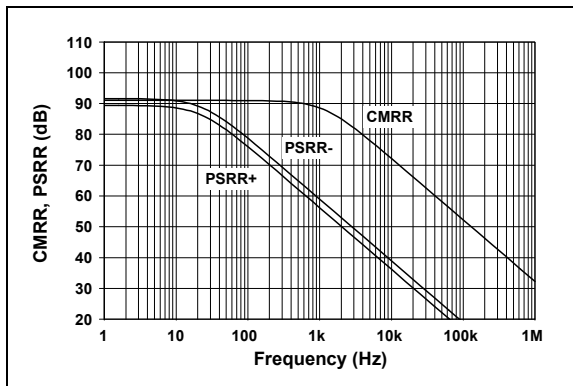
**Note:** Unless otherwise indicated,  $T_A = +25^\circ\text{C}$ ,  $V_{DD} = +2.4\text{V}$  to  $+5.5\text{V}$ ,  $V_{SS} = \text{GND}$ ,  $V_{CM} = V_{DD}/2$ ,  $V_{OUT} \approx V_{DD}/2$ ,  $V_L = V_{DD}/2$ ,  $R_L = 10\text{ k}\Omega$  to  $V_L$ ,  $C_L = 60\text{ pF}$ , and CS is tied low.



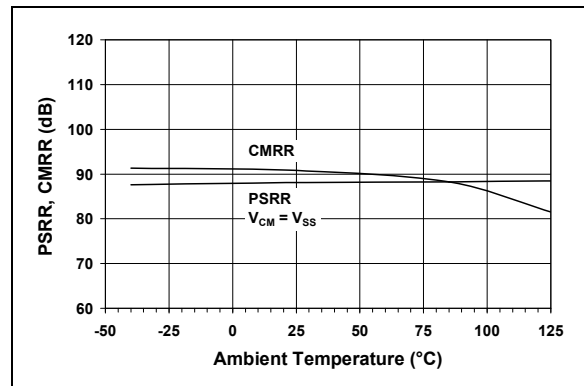
**FIGURE 2-7:** Input Offset Voltage vs. Output Voltage.



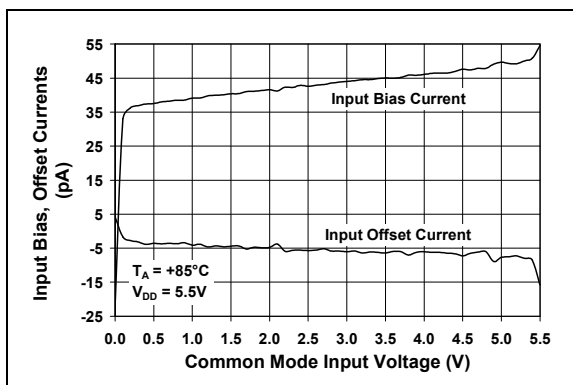
**FIGURE 2-10:** Input Bias, Input Offset Currents vs. Ambient Temperature.



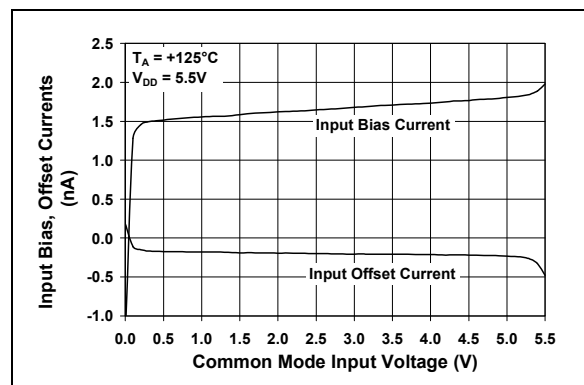
**FIGURE 2-8:** CMRR, PSRR vs. Frequency.



**FIGURE 2-11:** CMRR, PSRR vs. Ambient Temperature.



**FIGURE 2-9:** Input Bias, Offset Currents vs. Common-mode Input Voltage at  $T_A = +85^\circ\text{C}$ .

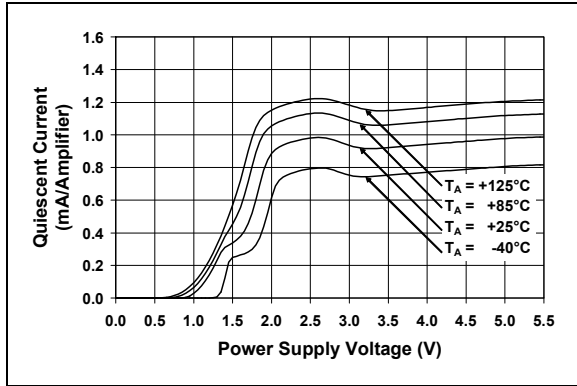


**FIGURE 2-12:** Input Bias, Offset Currents vs. Common-mode Input Voltage at  $T_A = +125^\circ\text{C}$ .

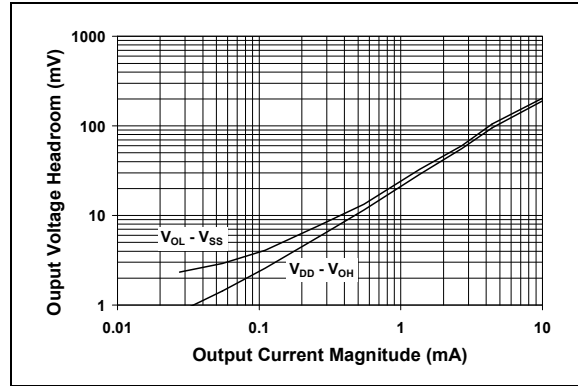
# MCP6291/1R/2/3/4/5

## TYPICAL PERFORMANCE CURVES (CONTINUED)

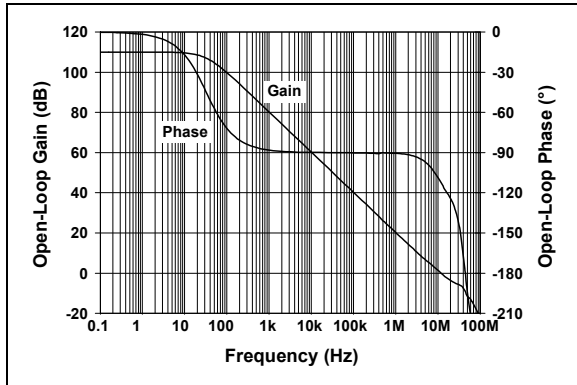
**Note:** Unless otherwise indicated,  $T_A = +25^\circ\text{C}$ ,  $V_{DD} = +2.4\text{V}$  to  $+5.5\text{V}$ ,  $V_{SS} = \text{GND}$ ,  $V_{CM} = V_{DD}/2$ ,  $V_{OUT} \approx V_{DD}/2$ ,  $V_L = V_{DD}/2$ ,  $R_L = 10\text{ k}\Omega$  to  $V_L$ ,  $C_L = 60\text{ pF}$ , and CS is tied low.



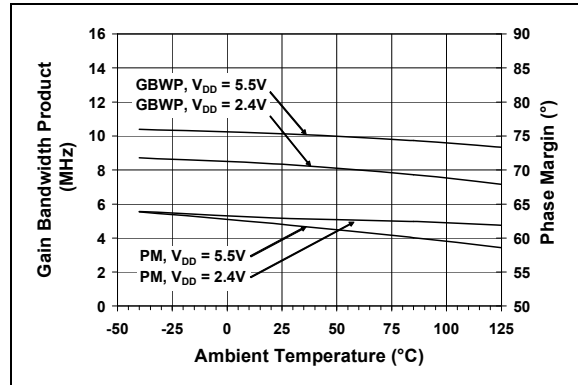
**FIGURE 2-13:** Quiescent Current vs. Power Supply Voltage.



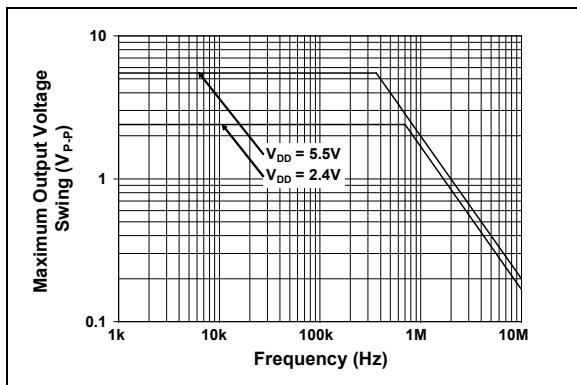
**FIGURE 2-16:** Output Voltage Headroom vs. Output Current Magnitude.



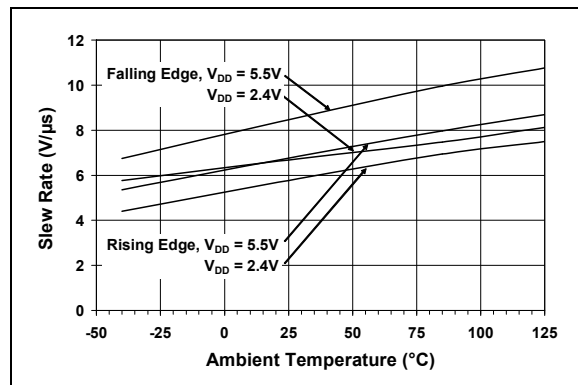
**FIGURE 2-14:** Open-Loop Gain, Phase vs. Frequency.



**FIGURE 2-17:** Gain Bandwidth Product, Phase Margin vs. Ambient Temperature.



**FIGURE 2-15:** Maximum Output Voltage Swing vs. Frequency.

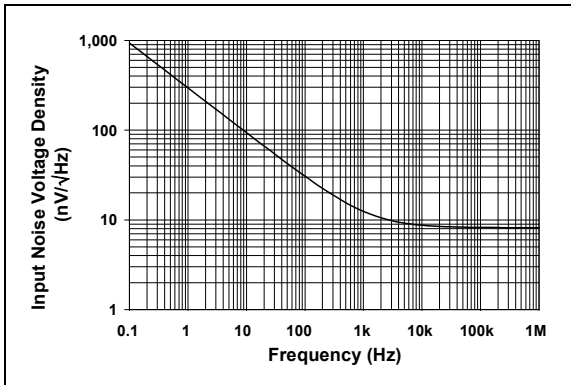


**FIGURE 2-18:** Slew Rate vs. Ambient Temperature.

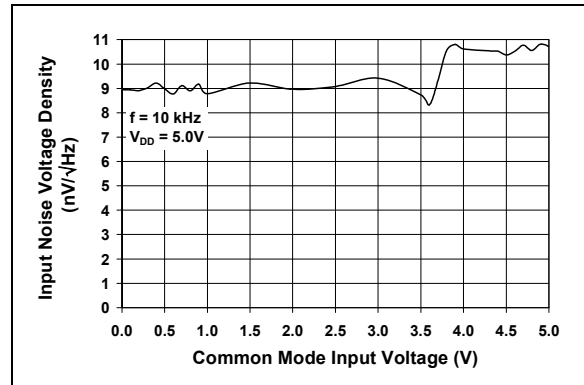


## TYPICAL PERFORMANCE CURVES (CONTINUED)

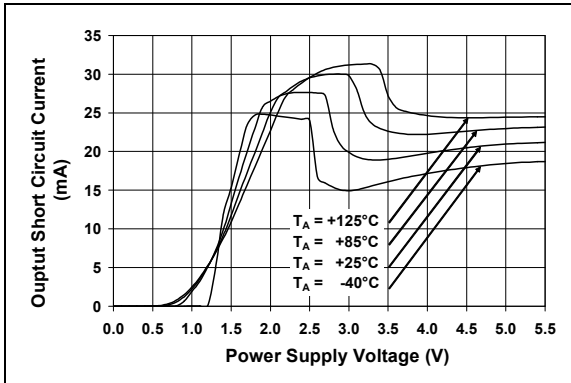
**Note:** Unless otherwise indicated,  $T_A = +25^\circ\text{C}$ ,  $V_{DD} = +2.4\text{V}$  to  $+5.5\text{V}$ ,  $V_{SS} = \text{GND}$ ,  $V_{CM} = V_{DD}/2$ ,  $V_{OUT} \approx V_{DD}/2$ ,  $V_L = V_{DD}/2$ ,  $R_L = 10\text{ k}\Omega$  to  $V_L$ ,  $C_L = 60\text{ pF}$ , and CS is tied low.



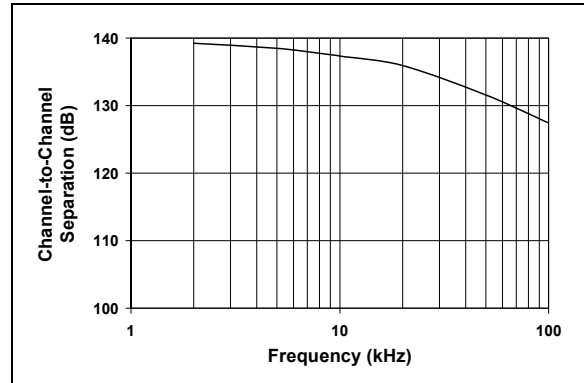
**FIGURE 2-19:** Input Noise Voltage Density vs. Frequency.



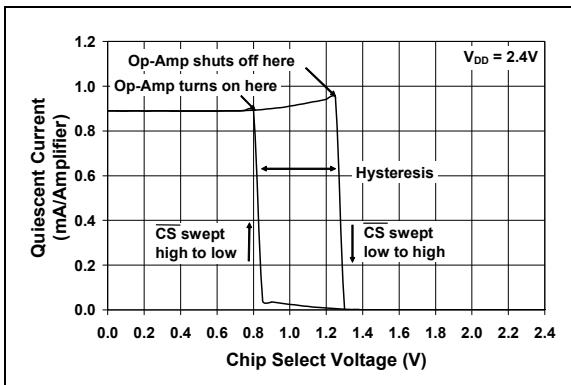
**FIGURE 2-22:** Input Noise Voltage Density vs. Common-mode Input Voltage at 10 kHz.



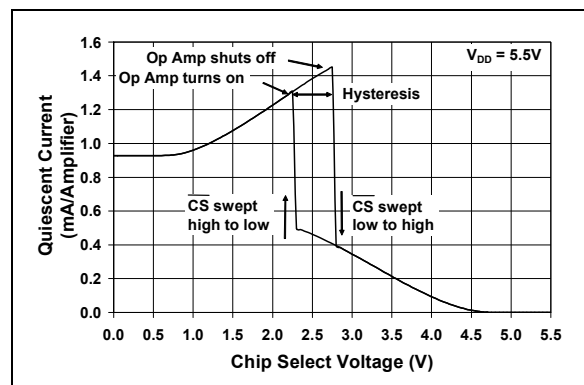
**FIGURE 2-20:** Output Short Circuit Current vs. Power Supply Voltage.



**FIGURE 2-23:** Channel-to-Channel Separation vs. Frequency (MCP6292, MCP6294 and MCP6295 only).



**FIGURE 2-21:** Quiescent Current vs. Chip Select (CS) Voltage at  $V_{DD} = 2.4\text{V}$  (MCP6293 and MCP6295 only).

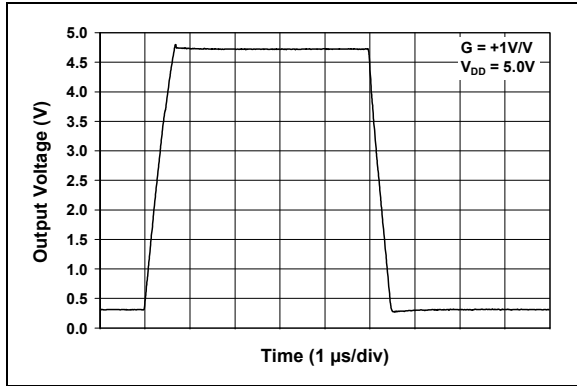


**FIGURE 2-24:** Quiescent Current vs. Chip Select (CS) Voltage at  $V_{DD} = 5.5\text{V}$  (MCP6293 and MCP6295 only).

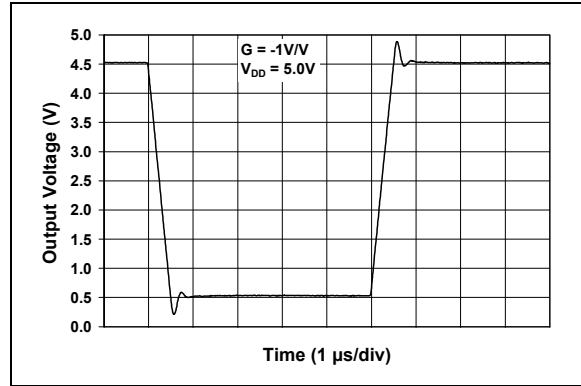
# MCP6291/1R/2/3/4/5

## TYPICAL PERFORMANCE CURVES (CONTINUED)

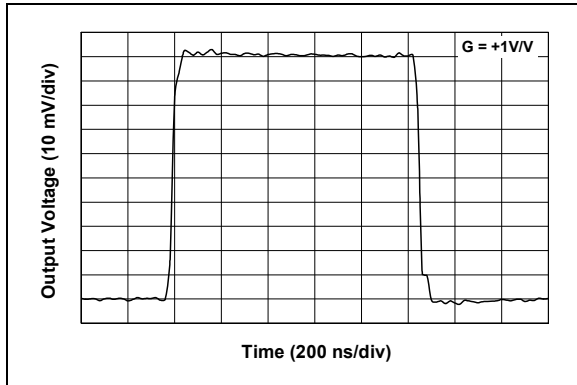
**Note:** Unless otherwise indicated,  $T_A = +25^\circ\text{C}$ ,  $V_{DD} = +2.4\text{V}$  to  $+5.5\text{V}$ ,  $V_{SS} = \text{GND}$ ,  $V_{CM} = V_{DD}/2$ ,  $V_{OUT} \approx V_{DD}/2$ ,  $V_L = V_{DD}/2$ ,  $R_L = 10\text{ k}\Omega$  to  $V_L$ ,  $C_L = 60\text{ pF}$ , and CS is tied low.



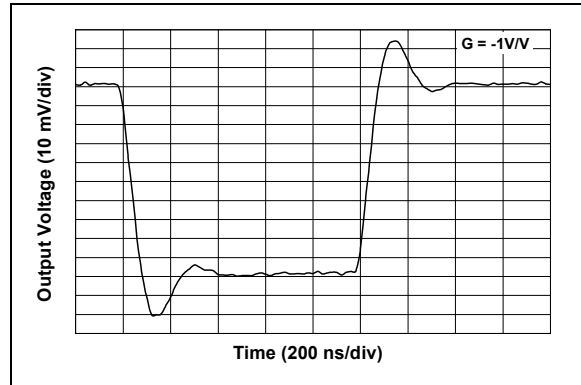
**FIGURE 2-25:** Large-Signal Noninverting Pulse Response.



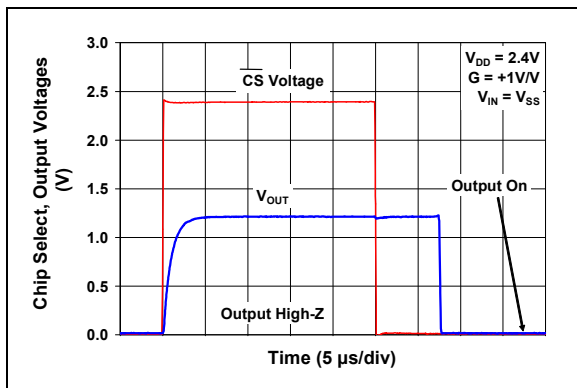
**FIGURE 2-28:** Large-Signal Inverting Pulse Response.



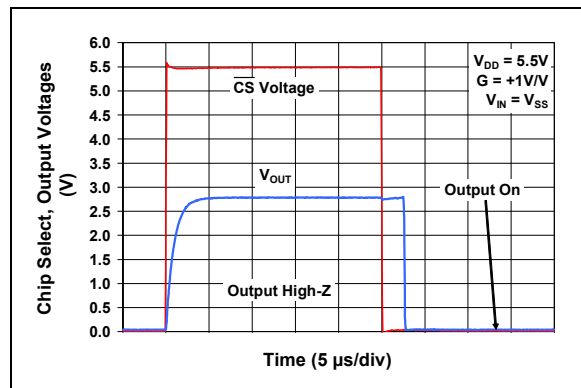
**FIGURE 2-26:** Small-Signal Noninverting Pulse Response.



**FIGURE 2-29:** Small-Signal Inverting Pulse Response.



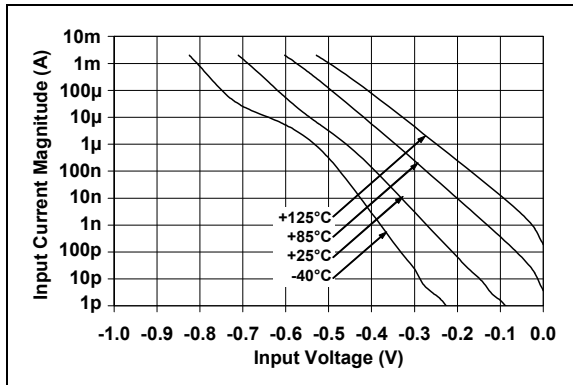
**FIGURE 2-27:** Chip Select ( $\overline{\text{CS}}$ ) to Amplifier Output Response Time at  $V_{DD} = 2.4\text{V}$  (MCP6293 and MCP6295 only).



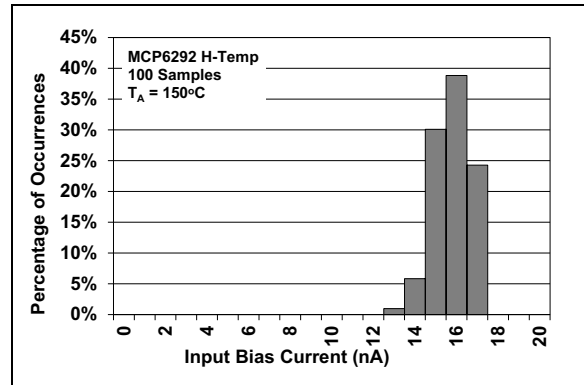
**FIGURE 2-30:** Chip Select ( $\overline{\text{CS}}$ ) to Amplifier Output Response Time at  $V_{DD} = 5.5\text{V}$  (MCP6293 and MCP6295 only).

## TYPICAL PERFORMANCE CURVES (CONTINUED)

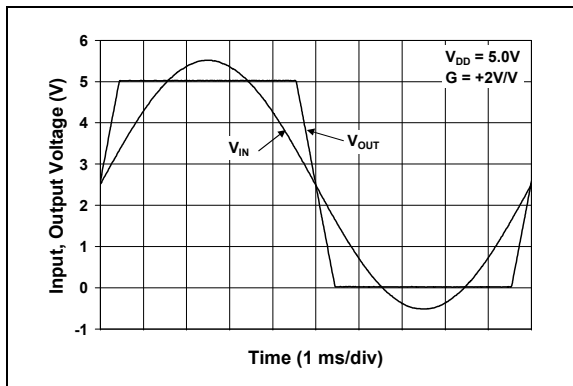
**Note:** Unless otherwise indicated,  $T_A = +25^\circ\text{C}$ ,  $V_{DD} = +2.4\text{V}$  to  $+5.5\text{V}$ ,  $V_{SS} = \text{GND}$ ,  $V_{CM} = V_{DD}/2$ ,  $V_{OUT} \approx V_{DD}/2$ ,  $V_L = V_{DD}/2$ ,  $R_L = 10\text{ k}\Omega$  to  $V_L$ ,  $C_L = 60\text{ pF}$ , and CS is tied low.



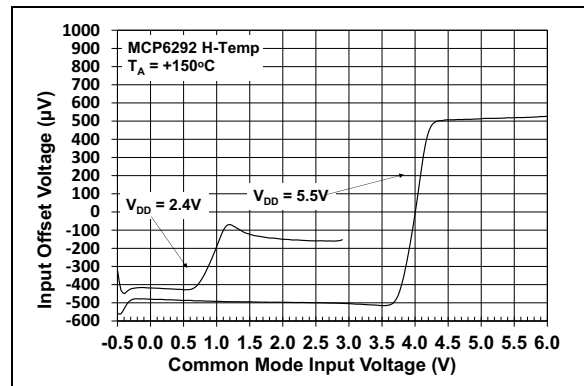
**FIGURE 2-31:** Measured Input Current vs. Input Voltage (below  $V_{SS}$ ).



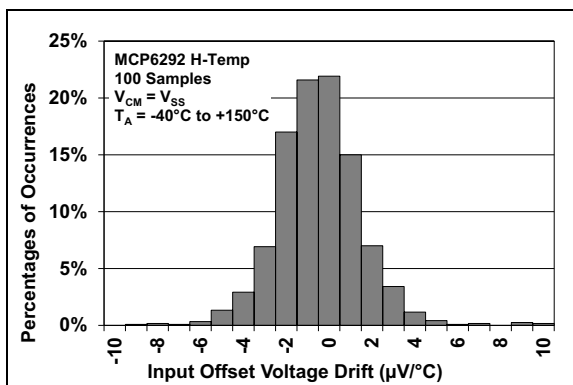
**FIGURE 2-34:** MCP6292 H-Temp Input Bias Current at  $T_A = +150^\circ\text{C}$ .



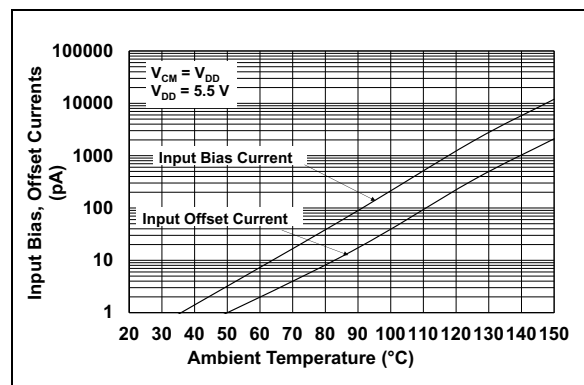
**FIGURE 2-32:** The MCP6291/1R/2/3/4/5 Show No Phase Reversal.



**FIGURE 2-35:** MCP6292 H-Temp Input Offset Voltage vs. Common-mode Input Voltage at  $T_A = +150^\circ\text{C}$ .



**FIGURE 2-33:** MCP6292 H-Temp Input Offset Voltage Drift.

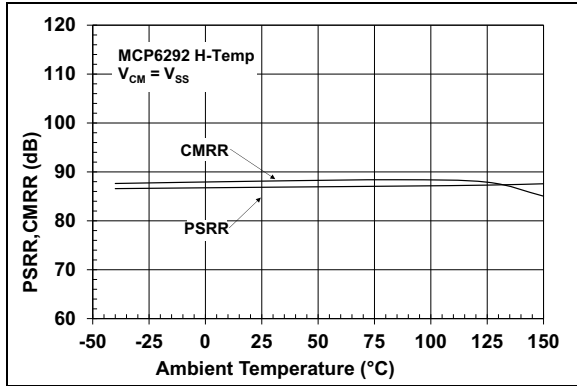


**FIGURE 2-36:** MCP6292 H-Temp Input Bias, Input Offset Currents vs. Ambient Temperature.

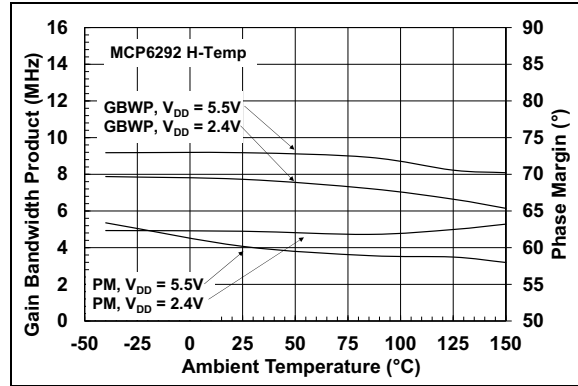
# MCP6291/1R/2/3/4/5

## TYPICAL PERFORMANCE CURVES (CONTINUED)

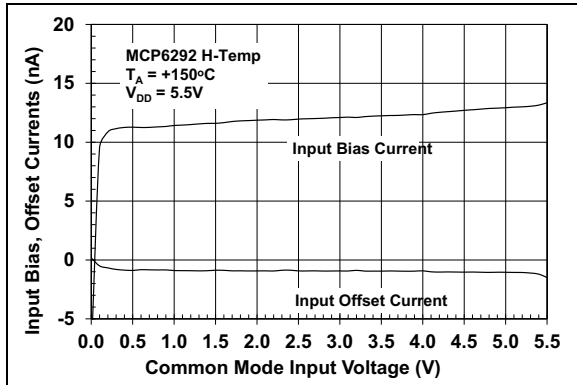
**Note:** Unless otherwise indicated,  $T_A = +25^\circ\text{C}$ ,  $V_{DD} = +2.4\text{V}$  to  $+5.5\text{V}$ ,  $V_{SS} = \text{GND}$ ,  $V_{CM} = V_{DD}/2$ ,  $V_{OUT} \approx V_{DD}/2$ ,  $V_L = V_{DD}/2$ ,  $R_L = 10\text{ k}\Omega$  to  $V_L$ ,  $C_L = 60\text{ pF}$ , and CS is tied low.



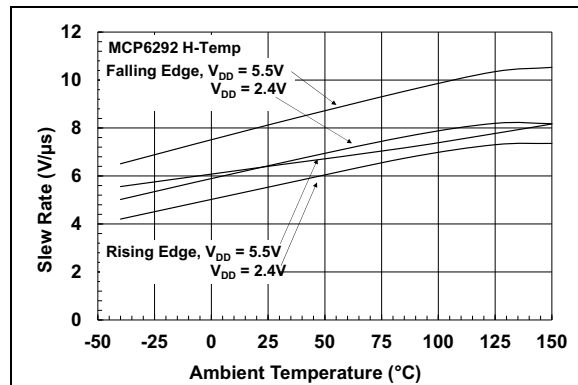
**FIGURE 2-37:** MCP6292 H-Temp CMRR, PSRR vs. Ambient Temperature.



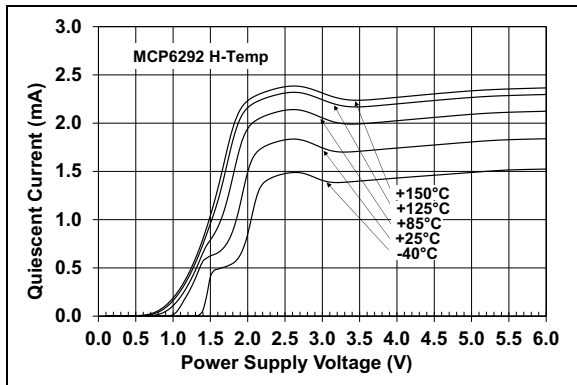
**FIGURE 2-40:** MCP6292 H-Temp Gain Bandwidth Product, Phase Margin vs. Ambient Temperature.



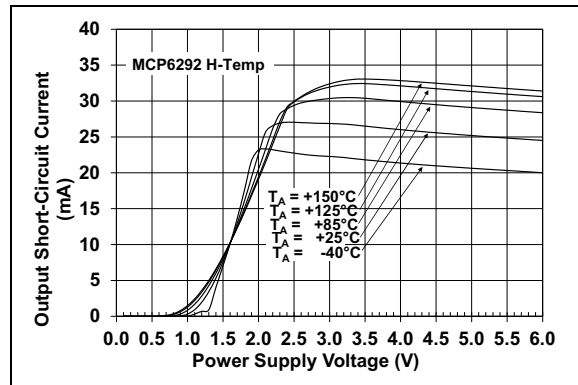
**FIGURE 2-38:** MCP6292 H-Temp Input Bias, Offset Currents vs. Common-mode Input Voltage at  $T_A = +150^\circ\text{C}$



**FIGURE 2-41:** MCP6292 H-Temp Slew Rate vs. Ambient Temperature.



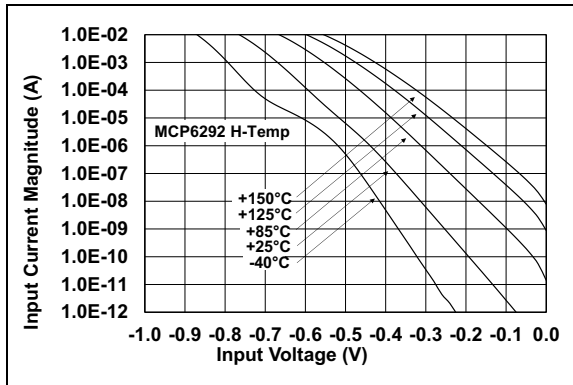
**FIGURE 2-39:** MCP6292 H-Temp Quiescent Current vs. Power Supply Voltage.



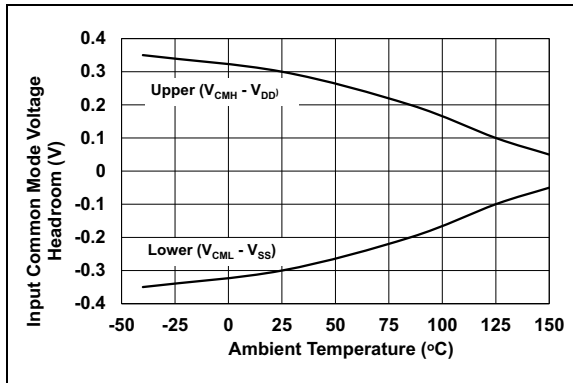
**FIGURE 2-42:** MCP6292 H-Temp Output Short-Circuit Current vs. Power Supply Voltage.

## TYPICAL PERFORMANCE CURVES (CONTINUED)

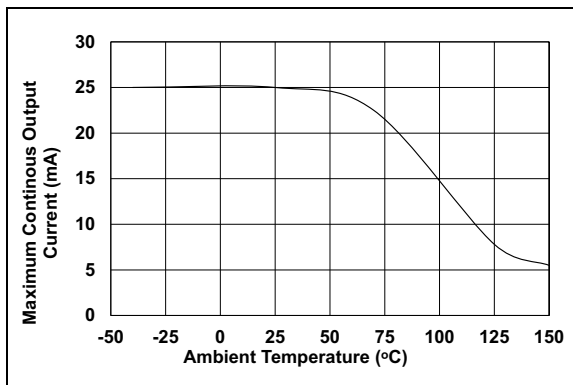
**Note:** Unless otherwise indicated,  $T_A = +25^\circ\text{C}$ ,  $V_{DD} = +2.4\text{V}$  to  $+5.5\text{V}$ ,  $V_{SS} = \text{GND}$ ,  $V_{CM} = V_{DD}/2$ ,  $V_{OUT} \approx V_{DD}/2$ ,  $V_L = V_{DD}/2$ ,  $R_L = 10\text{ k}\Omega$  to  $V_L$ ,  $C_L = 60\text{ pF}$ , and CS is tied low.



**FIGURE 2-43:** MCP6292 H-Temp  
Measured Input Current vs. Input Voltage (below  $V_{SS}$ ).



**FIGURE 2-44:** Input Common Mode  
Voltage Headroom vs. Ambient Temperature.



**FIGURE 2-45:** Maximum Continuous  
Output Current vs. Ambient Temperature.

# MCP6291/1R/2/3/4/5

## 3.0 PIN DESCRIPTIONS

Descriptions of the pins are listed in [Table 3-1](#) (single op amps) and [Table 3-2](#) (dual and quad op amps).

**TABLE 3-1: PIN FUNCTION TABLE FOR SINGLE OP AMPS**

| MCP6291          |          | MCP6291R | MCP6293          |          | Symbol          | Description            |
|------------------|----------|----------|------------------|----------|-----------------|------------------------|
| PDIP, SOIC, MSOP | SOT-23-5 |          | PDIP, SOIC, MSOP | SOT-23-6 |                 |                        |
| 6                | 1        | 1        | 6                | 1        | $V_{OUT}$       | Analog Output          |
| 2                | 4        | 4        | 2                | 4        | $V_{IN-}$       | Inverting Input        |
| 3                | 3        | 3        | 3                | 3        | $V_{IN+}$       | Noninverting Input     |
| 7                | 5        | 2        | 7                | 6        | $V_{DD}$        | Positive Power Supply  |
| 4                | 2        | 5        | 4                | 2        | $V_{SS}$        | Negative Power Supply  |
| —                | —        | —        | 8                | 5        | $\overline{CS}$ | Chip Select            |
| 1,5,8            | —        | —        | 1,5              | —        | NC              | No Internal Connection |

**TABLE 3-2: PIN FUNCTION TABLE FOR DUAL AND QUAD OP AMPS**

| MCP6292 | MCP6294 | MCP6295 | Symbol              | Description  |
|---------|---------|---------|---------------------|--|
| 1       | 1       | —       | $V_{OUTA}$          | Analog Output (op amp A)                               |
| 2       | 2       | 2       | $V_{INA-}$          | Inverting Input (op amp A)                             |
| 3       | 3       | 3       | $V_{INA+}$          | Noninverting Input (op amp A)                          |
| 8       | 4       | 8       | $V_{DD}$            | Positive Power Supply                                  |
| 5       | 5       | —       | $V_{INB+}$          | Noninverting Input (op amp B)                          |
| 6       | 6       | 6       | $V_{INB-}$          | Inverting Input (op amp B)                             |
| 7       | 7       | 7       | $V_{OUTB}$          | Analog Output (op amp B)                               |
| —       | 8       | —       | $V_{OUTC}$          | Analog Output (op amp C)                               |
| —       | 9       | —       | $V_{INC-}$          | Inverting Input (op amp C)                             |
| —       | 10      | —       | $V_{INC+}$          | Noninverting Input (op amp C)                          |
| 4       | 11      | 4       | $V_{SS}$            | Negative Power Supply                                  |
| —       | 12      | —       | $V_{IND+}$          | Noninverting Input (op amp D)                          |
| —       | 13      | —       | $V_{IND-}$          | Inverting Input (op amp D)                             |
| —       | 14      | —       | $V_{OUTD}$          | Analog Output (op amp D)                               |
| —       | —       | 1       | $V_{OUTA}/V_{INB+}$ | Analog Output (op amp A)/Noninverting Input (op amp B) |
| —       | —       | 5       | $\overline{CS}$     | Chip Select  |

### 3.1 Analog Outputs

The output pins are low-impedance voltage sources.

### 3.2 Analog Inputs

The noninverting and inverting inputs are high-impedance CMOS inputs with low bias currents.

### 3.3 MCP6295's $V_{OUTA}/V_{INB+}$ Pin

For the MCP6295 only, the output of op amp A is connected directly to the noninverting input of op amp B; this is the  $V_{OUTA}/V_{INB+}$  pin. This connection makes it possible to provide a Chip Select pin for duals in 8-pin packages.

### 3.4 Chip Select Digital Input

This is a CMOS, Schmitt-triggered input that places the part into a low power mode of operation.

### 3.5 Power Supply Pins

The positive power supply ( $V_{DD}$ ) is 2.4V to 6.0V higher than the negative power supply ( $V_{SS}$ ). For normal operation, the other pins are between  $V_{SS}$  and  $V_{DD}$ .

Typically, these parts are used in a single (positive) supply configuration. In this case,  $V_{SS}$  is connected to ground and  $V_{DD}$  is connected to the supply.  $V_{DD}$  will need bypass capacitors

## 4.0 APPLICATION INFORMATION

The MCP6291/1R/2/3/4/5 family of op amps is manufactured using Microchip's state of the art CMOS process, specifically designed for low-cost, low-power and general purpose applications. The low supply voltage, low quiescent current and wide bandwidth makes the MCP6291/1R/2/3/4/5 ideal for battery-powered applications.

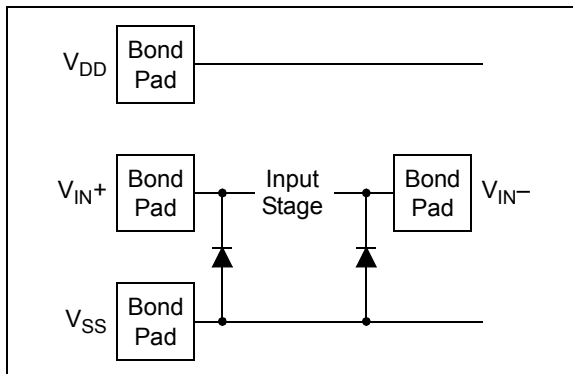
### 4.1 Rail-to-Rail Inputs

#### 4.1.1 PHASE REVERSAL

The MCP6291/1R/2/3/4/5 op amp is designed to prevent phase reversal when the input pins exceed the supply voltages. Figure 2-32 shows the input voltage exceeding the supply voltage without any phase reversal.

#### 4.1.2 INPUT VOLTAGE AND CURRENT LIMITS

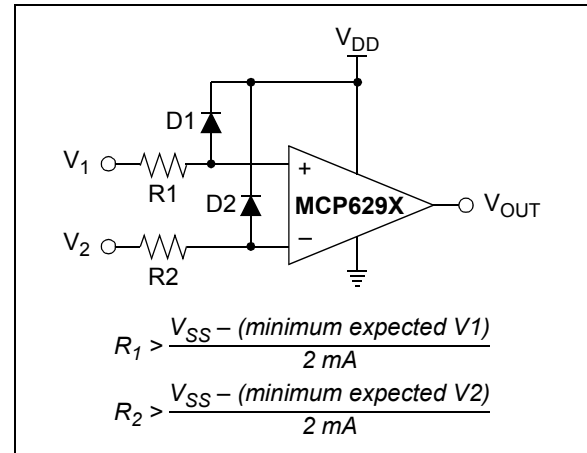
The ESD protection on the inputs can be depicted as shown in Figure 4-1. This structure was chosen to protect the input transistors, and to minimize input bias current ( $I_B$ ). The input ESD diodes clamp the inputs when they try to go more than one diode drop below  $V_{SS}$ . They also clamp any voltages that go too far above  $V_{DD}$ ; their breakdown voltage is high enough to allow normal operation, and low enough to bypass quick ESD events within the specified limits.



**FIGURE 4-1:** Simplified Analog Input ESD Structures.

In order to prevent damage and/or improper operation of these op amps, the circuit they are in must limit the currents and voltages at the  $V_{IN+}$  and  $V_{IN-}$  pins (see **Absolute Maximum Ratings** † at the beginning of **Section 1.0 “Electrical Characteristics”**). Figure 4-2 shows the recommended approach to protecting these inputs. The internal ESD diodes prevent the input pins ( $V_{IN+}$  and  $V_{IN-}$ ) from going too far below ground, and the resistors  $R_1$  and  $R_2$  limit the possible current drawn out of the input pins. Diodes  $D_1$  and  $D_2$  prevent the input pins ( $V_{IN+}$  and  $V_{IN-}$ ) from going too far above

$V_{DD}$ , and dump any currents onto  $V_{DD}$ . When implemented as shown, resistors  $R_1$  and  $R_2$  also limit the current through  $D_1$  and  $D_2$ .



**FIGURE 4-2:** Protecting the Analog Inputs.

It is also possible to connect the diodes to the left of the resistor  $R_1$  and  $R_2$ . In this case, the currents through the diodes  $D_1$  and  $D_2$  need to be limited by some other mechanism. The resistors then serve as in-rush current limiters; the DC current into the input pins ( $V_{IN+}$  and  $V_{IN-}$ ) should be very small.

A significant amount of current can flow out of the inputs when the Common-mode voltage ( $V_{CM}$ ) is below ground ( $V_{SS}$ ); see Figure 2-31. Applications that are high impedance may need to limit the usable voltage range.

#### 4.1.3 NORMAL OPERATION

The input stage of the MCP6291/1R/2/3/4/5 op amps use two differential CMOS input stages in parallel. One operates at low Common-mode input voltage ( $V_{CM}$ ), while the other operates at high  $V_{CM}$ . With this topology, the device operates with  $V_{CM}$  up to 0.3V past either supply rail. The input offset voltage ( $V_{OS}$ ) is measured at  $V_{CM} = V_{SS} - 0.3V$  and  $V_{DD} + 0.3V$  to ensure proper operation.

The transition between the two input stages occurs when  $V_{CM} = V_{DD} - 1.1V$ . For the best distortion and gain linearity, with noninverting gains, avoid this region of operation.

## 4.2 Rail-to-Rail Output

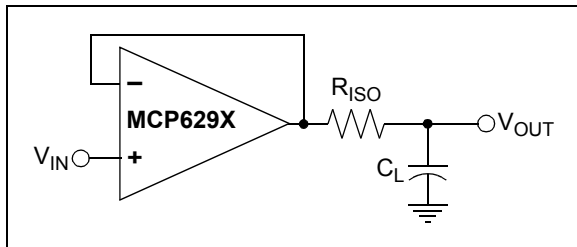
The output voltage range of the MCP6291/1R/2/3/4/5 op amp is  $V_{DD} - 15\text{ mV}$  (min.) and  $V_{SS} + 15\text{ mV}$  (maximum) when  $R_L = 10\text{ k}\Omega$  is connected to  $V_{DD}/2$  and  $V_{DD} = 5.5V$ . Refer to Figure 2-16 for more information.

# MCP6291/1R/2/3/4/5

## 4.3 Capacitive Loads

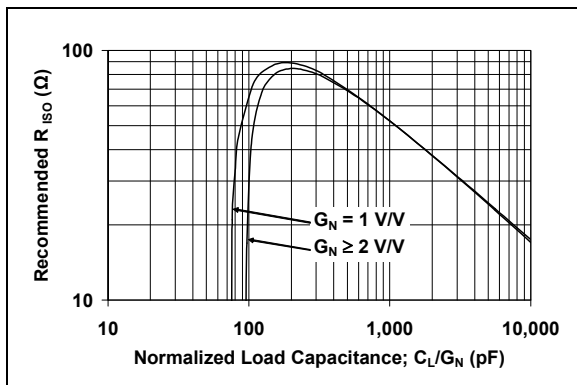
Driving large capacitive loads can cause stability problems for voltage feedback op amps. As the load capacitance increases, the feedback loop's phase margin decreases and the closed-loop bandwidth is reduced. This produces gain peaking in the frequency response, with overshoot and ringing in the step response. A unity-gain buffer ( $G = +1$ ) is the most sensitive to capacitive loads, though all gains show the same general behavior.

When driving large capacitive loads with these op amps (e.g.,  $> 100$  pF when  $G = +1$ ), a small series resistor at the output ( $R_{ISO}$  in Figure 4-3) improves the feedback loop's phase margin (stability) by making the output load resistive at higher frequencies. The bandwidth will be generally lower than the bandwidth with no capacitive load.



**FIGURE 4-3:** Output Resistor,  $R_{ISO}$  Stabilizes Large Capacitive Loads.

Figure 4-4 gives recommended  $R_{ISO}$  values for different capacitive loads and gains. The x-axis is the normalized load capacitance ( $C_L/G_N$ ), where  $G_N$  is the circuit's noise gain. For noninverting gains,  $G_N$  and the Signal Gain are equal. For inverting gains,  $G_N$  is  $1+|\text{Signal Gain}|$  (e.g.,  $-1$  V/V gives  $G_N = +2$  V/V).



**FIGURE 4-4:** Recommended  $R_{ISO}$  Values for Capacitive Loads.

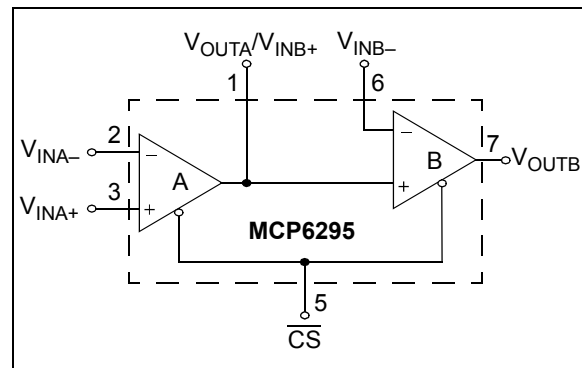
After selecting  $R_{ISO}$  for your circuit, double-check the resulting frequency response peaking and step response overshoot. Modify  $R_{ISO}$ 's value until the response is reasonable. Bench evaluation and simulations with the MCP6291/1R/2/3/4/5 SPICE macro model are helpful.

## 4.4 MCP629X Chip Select

The MCP6293 and MCP6295 are single and dual op amps with Chip Select ( $\overline{CS}$ ), respectively. When  $\overline{CS}$  is pulled high, the supply current drops to  $0.7$   $\mu\text{A}$  (typical) and flows through the  $\overline{CS}$  pin to  $V_{SS}$ . When this happens, the amplifier output is put into a high-impedance state. By pulling  $\overline{CS}$  low, the amplifier is enabled. The  $\overline{CS}$  pin has an internal  $5$   $\text{M}\Omega$  (typical) pull-down resistor connected to  $V_{SS}$ , so it will go low if the  $\overline{CS}$  pin is left floating. Figure 1-1 shows the output voltage and supply current response to a  $\overline{CS}$  pulse.

## 4.5 Cascaded Dual Op Amps (MCP6295)

The MCP6295 is a dual op amp with Chip Select ( $\overline{CS}$ ). The Chip Select input is available on what would be the noninverting input of a standard dual op amp (pin 5). This is available because the output of op amp A connects to the noninverting input of op amp B, as shown in Figure 4-5. The Chip Select input, which can be connected to a microcontroller I/O line, puts the device in Low-power mode. Refer to Section 4.4 "MCP629X Chip Select".



**FIGURE 4-5:** Cascaded Gain Amplifier.

The output of op amp A is loaded by the input impedance of op amp B, which is typically  $10^{13}\Omega \parallel 6$  pF, as specified in the DC specification table (Refer to Section 4.3 "Capacitive Loads" for further details regarding capacitive loads).

The Common-mode input range of these op amps is specified in the data sheet as  $V_{SS} - 300$  mV and  $V_{DD} + 300$  mV. However, since the output of op amp A is limited to  $V_{OL}$  and  $V_{OH}$  (20 mV from the rails with a 10 k $\Omega$  load), the noninverting input range of op amp B is limited to the Common-mode input range of  $V_{SS} + 20$  mV and  $V_{DD} - 20$  mV.

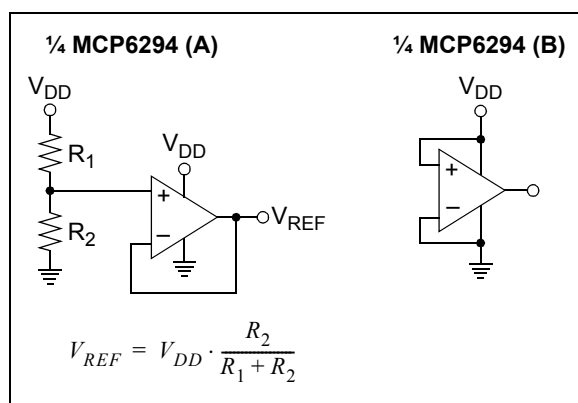


## 4.6 Supply Bypass

With this family of operational amplifiers, the power supply pin ( $V_{DD}$  for single supply) should have a local bypass capacitor (i.e., 0.01  $\mu\text{F}$  to 0.1  $\mu\text{F}$ ) within 2 mm for good high-frequency performance. It also needs a bulk capacitor (i.e., 1  $\mu\text{F}$  or larger) within 100 mm to provide large, slow currents. This bulk capacitor can be shared with nearby analog parts.

## 4.7 Unused Op Amps

An unused op amp in a quad package (MCP6294) should be configured as shown in Figure 4-6. These circuits prevent the output from toggling and causing crosstalk. Circuit A sets the op amp at its minimum noise gain. The resistor divider produces any desired reference voltage within the output voltage range of the op amp; the op amp buffers that reference voltage. Circuit B uses the minimum number of components and operates as a comparator, but it may draw more current.

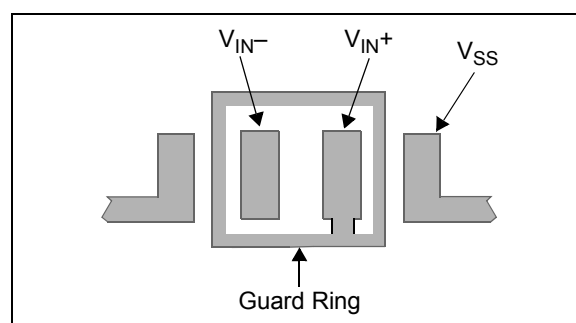


**FIGURE 4-6:** Unused Op Amps.

## 4.8 PCB Surface Leakage

In applications where low input bias current is critical, Printed Circuit Board (PCB) surface-leakage effects need to be considered. Surface leakage is caused by humidity, dust or other contamination on the board. Under low humidity conditions, a typical resistance between nearby traces is  $10^{12}\Omega$ . A 5V difference would cause 5 pA of current to flow, which is greater than the MCP6291/1R/2/3/4/5 family's bias current at 25°C (1 pA, typical).

The easiest way to reduce surface leakage is to use a guard ring around sensitive pins (or traces). The guard ring is biased at the same voltage as the sensitive pin. An example of this type of layout is shown in Figure 4-7.



**FIGURE 4-7:** Example Guard Ring Layout for Inverting Gain.

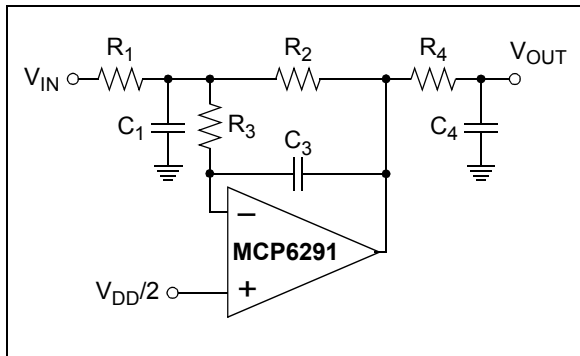
1. For Inverting Gain and Transimpedance Amplifiers (convert current to voltage, such as photo detectors):
  - a. Connect the guard ring to the noninverting input pin ( $V_{IN+}$ ). This biases the guard ring to the same reference voltage as the op amp (e.g.,  $V_{DD}/2$  or ground).
  - b. Connect the inverting pin ( $V_{IN-}$ ) to the input with a wire that does not touch the PCB surface.
2. Noninverting Gain and Unity-Gain Buffer:
  - a. Connect the noninverting pin ( $V_{IN+}$ ) to the input with a wire that does not touch the PCB surface.
  - b. Connect the guard ring to the inverting input pin ( $V_{IN-}$ ). This biases the guard ring to the Common-mode input voltage.

# MCP6291/1R/2/3/4/5

## 4.9 Application Circuits

### 4.9.1 MULTIPLE FEEDBACK LOW-PASS FILTER

The MCP6291/1R/2/3/4/5 op amp can be used in active-filter applications. Figure 4-8 shows an inverting, third-order, multiple feedback low-pass filter that can be used as an anti-aliasing filter.

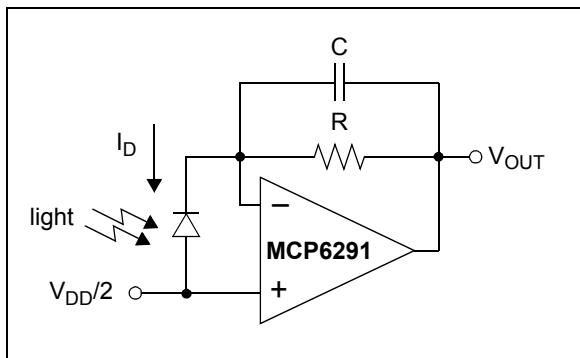


**FIGURE 4-8:** Multiple Feedback Low-Pass Filter.

This filter, and others, can be designed using Microchip's Filter design software (refer to Section 5.0 "Design Aids").

### 4.9.2 PHOTODIODE AMPLIFIER

Figure 4-9 shows a photodiode biased in the photovoltaic mode for high precision. The resistor  $R$  converts the diode current  $I_D$  to the voltage  $V_{OUT}$ . The capacitor is used to limit the bandwidth or to stabilize the circuit against the diode's capacitance (it is not always needed).



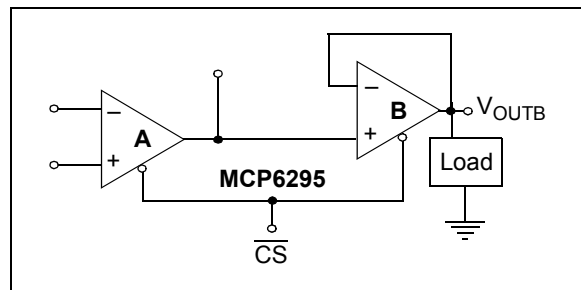
**FIGURE 4-9:** Photodiode Amplifier.

### 4.9.3 CASCADED OP AMP APPLICATIONS

The MCP6295 provides the flexibility of Low-power mode for dual op amps in an 8-pin package. The MCP6295 eliminates the added cost and space in battery-powered applications by using two single op amps with Chip Select lines or a 10-pin device with one Chip Select line for both op amps. Since the two op amps are internally cascaded, this device cannot be used in circuits that require active or passive elements between the two op amps. However, there are several applications where this op amp configuration with Chip Select line becomes suitable. The circuits below show possible applications for this device.

#### 4.9.3.1 Load Isolation

With the cascaded op amp configuration, op amp B can be used to isolate the load from op amp A. In applications where op amp A is driving capacitive or low resistance loads in the feedback loop (such as an integrator circuit or filter circuit), the op amp may not have sufficient source current to drive the load. In this case, op amp B can be used as a buffer.



**FIGURE 4-10:** Isolating the Load with a Buffer.

## 4.9.3.2 Cascaded Gain

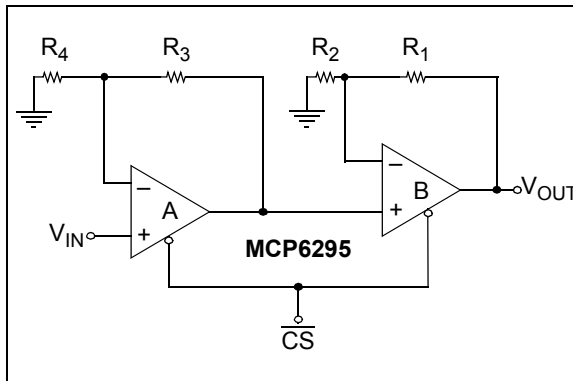
Figure 4-11 shows a cascaded gain circuit configuration with Chip Select. Op amps A and B are configured in a noninverting amplifier configuration. In this configuration, it is important to note that the input offset voltage of op amp A is amplified by the gain of op amp A and B, as shown below:

$$V_{OUT} = V_{IN}G_A G_B + V_{OSA}G_A G_B + V_{OSB}G_B$$

Where:

- $G_A$  = op amp A gain
- $G_B$  = op amp B gain
- $V_{OSA}$  = op amp A input offset voltage
- $V_{OSB}$  = op amp B input offset voltage

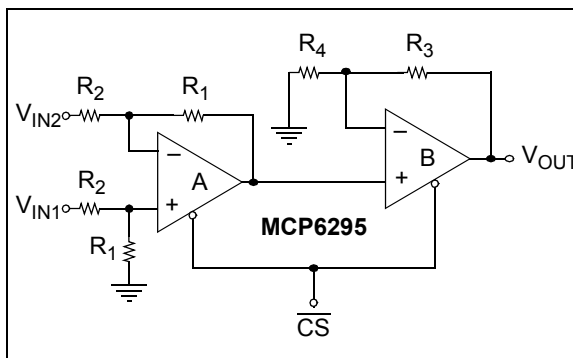
Therefore, it is recommended to set most of the gain with op amp A and use op amp B with relatively small gain (e.g., a unity-gain buffer).



**FIGURE 4-11:** Cascaded Gain Circuit Configuration.

## 4.9.3.3 Difference Amplifier

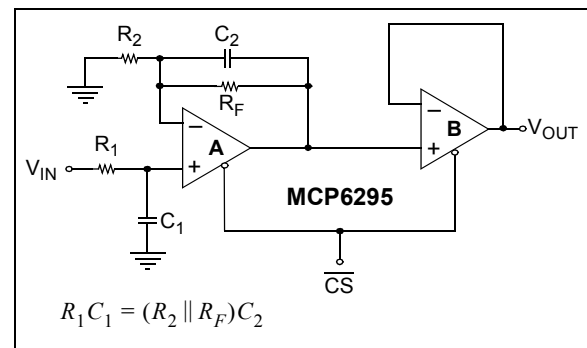
Figure 4-12 shows op amp A as a difference amplifier with Chip Select. In this configuration, it is recommended to use well-matched resistors (e.g., 0.1%) to increase the Common-mode Rejection Ratio (CMRR). Op amp B can be used for additional gain or as a unity-gain buffer to isolate the load from the difference amplifier.



**FIGURE 4-12:** Difference Amplifier Circuit.

## 4.9.3.4 Buffered Noninverting Integrator

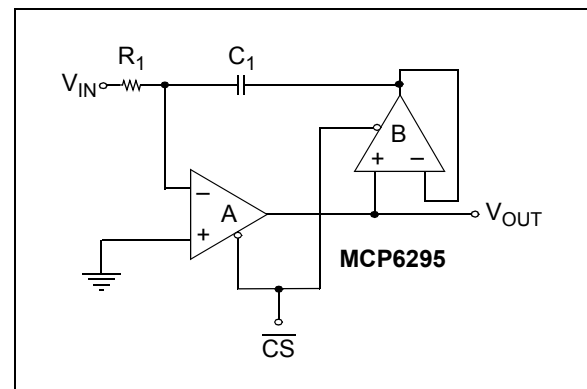
Figure 4-13 shows a lossy noninverting integrator that is buffered and has a Chip Select input. Op amp A is configured as a noninverting integrator. In this configuration, matching the impedance at each input is recommended.  $R_F$  is used to provide a feedback loop at frequencies  $\ll 1/(2\pi R_1 C_1)$  and makes this a lossy integrator (it has a finite gain at DC). Op amp B is used to isolate the load from the integrator.



**FIGURE 4-13:** Buffered Noninverting Integrator with Chip Select.

## 4.9.3.5 Inverting Integrator with Active Compensation and Chip Select

Figure 4-14 uses an active compensator (op amp B) to compensate for the non-ideal op amp characteristics introduced at higher frequencies. This circuit uses op amp B as a unity-gain buffer to isolate the integration capacitor  $C_1$  from op amp A and drives the capacitor with low-impedance source. Since both op amps are matched very well, they provide a high quality integrator.

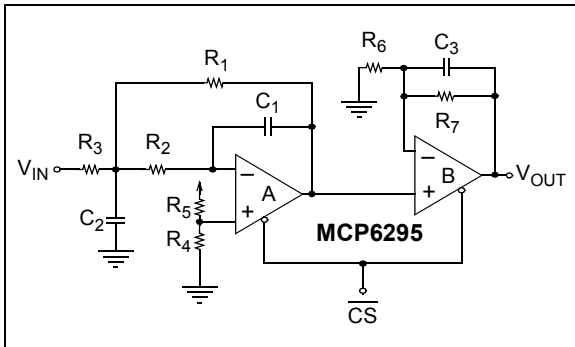


**FIGURE 4-14:** Integrator Circuit with Active Compensation.

# MCP6291/1R/2/3/4/5

## 4.9.3.6 Second-Order MFB Low-Pass Filter with an Extra Pole-Zero Pair

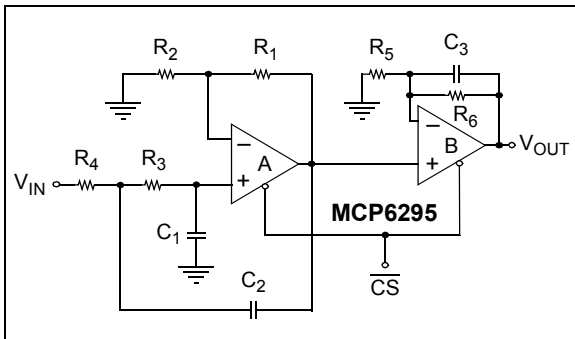
Figure 4-15 is a second-order multiple feedback low-pass filter with Chip Select. Use the FilterLab<sup>®</sup> software from Microchip to determine the R and C values for the op amp A's second-order filter. Op amp B can be used to add a pole-zero pair using  $C_3$ ,  $R_6$  and  $R_7$ .



**FIGURE 4-15:** Second-Order Multiple Feedback Low-Pass Filter with an Extra Pole-Zero Pair.

## 4.9.3.7 Second-Order Sallen-Key Low-Pass Filter with an Extra Pole-Zero Pair

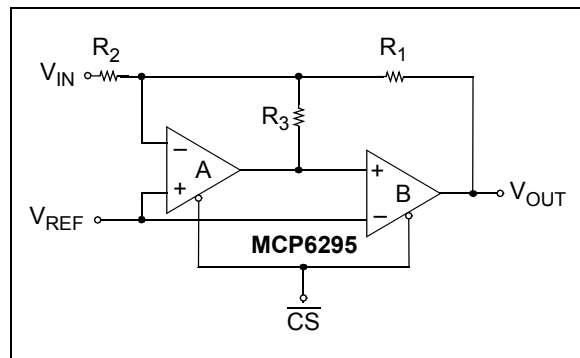
Figure 4-16 is a second-order, Sallen-Key low-pass filter with Chip Select. Use the FilterLab<sup>®</sup> software from Microchip to determine the R and C values for the op amp A's second-order filter. Op amp B can be used to add a pole-zero pair using  $C_3$ ,  $R_5$  and  $R_6$ .



**FIGURE 4-16:** Second-Order Sallen-Key Low-Pass Filter with an Extra Pole-Zero Pair and Chip Select.

## 4.9.3.8 Capacitorless Second-Order Low-Pass filter with Chip Select

The low-pass filter shown in Figure 4-17 does not require external capacitors and uses only three external resistors; the op amp's GBWP sets the corner frequency.  $R_1$  and  $R_2$  are used to set the circuit gain and  $R_3$  is used to set the Q. To avoid gain peaking in the frequency response, Q needs to be low (lower values need to be selected for  $R_3$ ). Note that the amplifier bandwidth varies greatly over temperature and process. However, this configuration provides a low cost solution for applications with high bandwidth requirements.



**FIGURE 4-17:** Capacitorless Second-Order Low-Pass Filter with Chip Select.

## 5.0 DESIGN AIDS

Microchip provides the basic design tools needed for the MCP6291/1R/2/3/4/5 family of op amps.

### 5.1 SPICE Macro Model

The latest SPICE macro model for the MCP6291/1R/2/3/4/5 op amps is available on the Microchip web site at [www.microchip.com](http://www.microchip.com). This model is intended to be an initial design tool that works well in the op amp's linear region of operation over the temperature range. See the model file for information on its capabilities.

Bench testing is a very important part of any design and cannot be replaced with simulations. Also, simulation results using this macro model need to be validated by comparing them to the data sheet specifications and characteristic curves.

### 5.2 FilterLab<sup>®</sup> Software

Microchip's FilterLab<sup>®</sup> software is an innovative software tool that simplifies analog active filter (using op amps) design. Available at no cost from the Microchip web site at [www.microchip.com/filterlab](http://www.microchip.com/filterlab), the FilterLab design tool provides full schematic diagrams of the filter circuit with component values. It also outputs the filter circuit in SPICE format, which can be used with the macro model to simulate actual filter performance.

### 5.3 Mindi<sup>™</sup> Simulator Tool

Microchip's Mindi<sup>™</sup> simulator tool aids in the design of various circuits useful for active filter, amplifier and power-management applications. It is a free online simulation tool available from the Microchip web site at [www.microchip.com/mindi](http://www.microchip.com/mindi). This interactive simulator enables designers to quickly generate circuit diagrams, simulate circuits. Circuits developed using the Mindi simulation tool can be downloaded to a personal computer or workstation.

### 5.4 MAPS (Microchip Advanced Part Selector)

MAPS is a software tool that helps semiconductor professionals efficiently identify Microchip devices that fit a particular design requirement. Available at no cost from the Microchip web site at [www.microchip.com/maps](http://www.microchip.com/maps), the MAPS is an overall selection tool for Microchip's product portfolio that includes Analog, Memory, MCUs and DSCs. Using this tool you can define a filter to sort features for a parametric search of devices and export side-by-side technical comparison reports. Helpful links are also provided for Data sheets, Purchase, and Sampling of Microchip parts.

## 5.5 Analog Demonstration and Evaluation Boards

Microchip offers a broad spectrum of Analog Demonstration and Evaluation Boards that are designed to help you achieve faster time to market. For a complete listing of these boards and their corresponding user's guides and technical information, visit the Microchip web site at [www.microchip.com/analog\\_tools](http://www.microchip.com/analog_tools).

Two of our boards that are especially useful are:

- **P/N SOIC8EV:** 8-Pin SOIC/MSOP/TSSOP/DIP Evaluation Board
- **P/N SOIC14EV:** 14-Pin SOIC/TSSOP/DIP Evaluation Board

## 5.6 Application Notes

The following Microchip Application Notes are available on the Microchip web site at [www.microchip.com/appnotes](http://www.microchip.com/appnotes) and are recommended as supplemental reference resources.

**ADN003:** "Select the Right Operational Amplifier for your Filtering Circuits," DS21821

**AN722:** "Operational Amplifier Topologies and DC Specifications," DS00722

**AN723:** "Operational Amplifier AC Specifications and Applications," DS00723

**AN884:** "Driving Capacitive Loads With Op Amps," DS00884

**AN990:** "Analog Sensor Conditioning Circuits – An Overview," DS00990

These application notes and others are listed in the design guide:

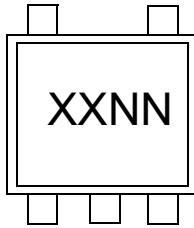
"Signal Chain Design Guide," DS21825

# MCP6291/1R/2/3/4/5

## 6.0 PACKAGING INFORMATION

### 6.1 Package Marking Information

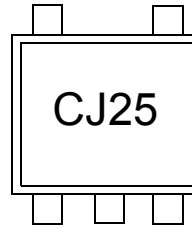
5-Lead SOT-23 (MCP6291 and MCP6291R)



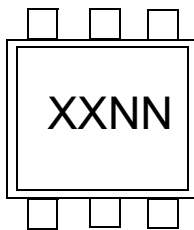
| Device   | Code |
|----------|------|
| MCP6291  | CJNN |
| MCP6291R | EVNN |

**Note:** Applies to 5-Lead SOT-23

Example:



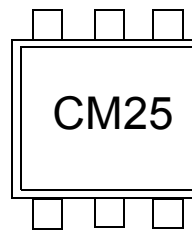
6-Lead SOT-23 (MCP6293)



| Device  | Code |
|---------|------|
| MCP6293 | CMNN |

**Note:** Applies to 6-Lead SOT-23

Example:



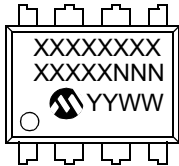
8-Lead MSOP



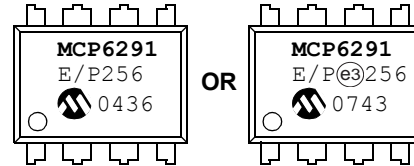
Example:



8-Lead PDIP (300 mil)



Example:



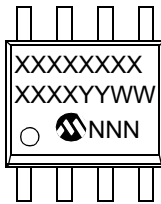
|                |        |  |
|----------------|--------|--|
| <b>Legend:</b> | XX...X | Customer-specific information  |
|                | Y      | Year code (last digit of calendar year)  |
|                | YY     | Year code (last 2 digits of calendar year)   |
|                | WW     | Week code (week of January 1 is week '01')   |
|                | NNN    | Alphanumeric traceability code   |
|                | (e3)   | Pb-free JEDEC designator for Matte Tin (Sn)  |
|                | *      | This package is Pb-free. The Pb-free JEDEC designator (e3) can be found on the outer packaging for this package. |

**Note:** In the event the full Microchip part number cannot be marked on one line, it will be carried over to the next line, thus limiting the number of available characters for customer-specific information.

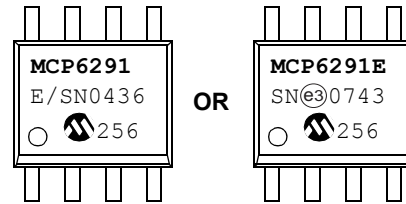
# MCP6291/1R/2/3/4/5

## Package Marking Information (Continued)

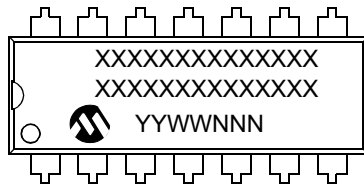
8-Lead SOIC (150 mil)



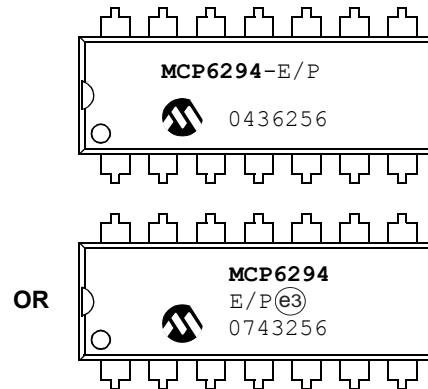
Example:



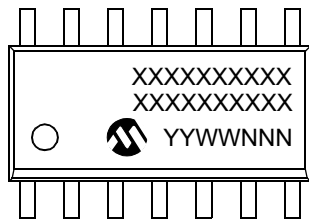
14-Lead PDIP (300 mil) (MCP6294)



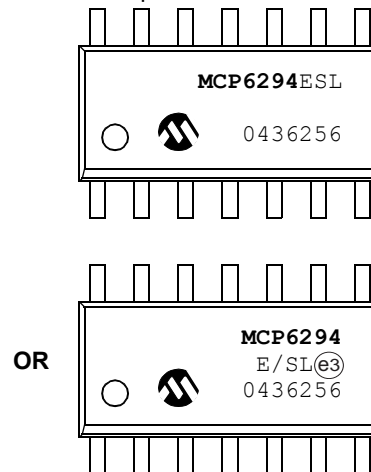
Example:



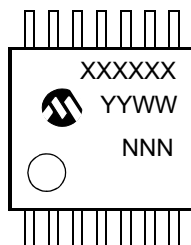
14-Lead SOIC (150 mil) (MCP6294)



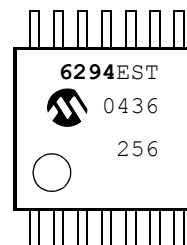
Example:



14-Lead TSSOP (MCP6294)



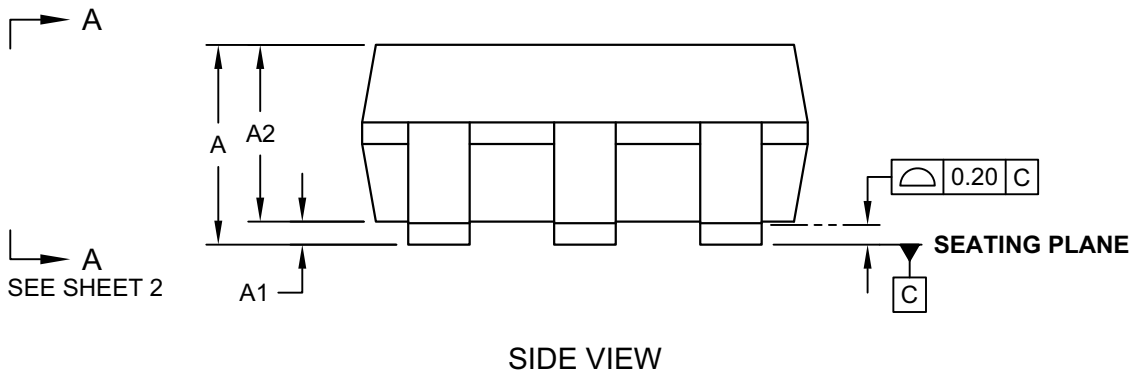
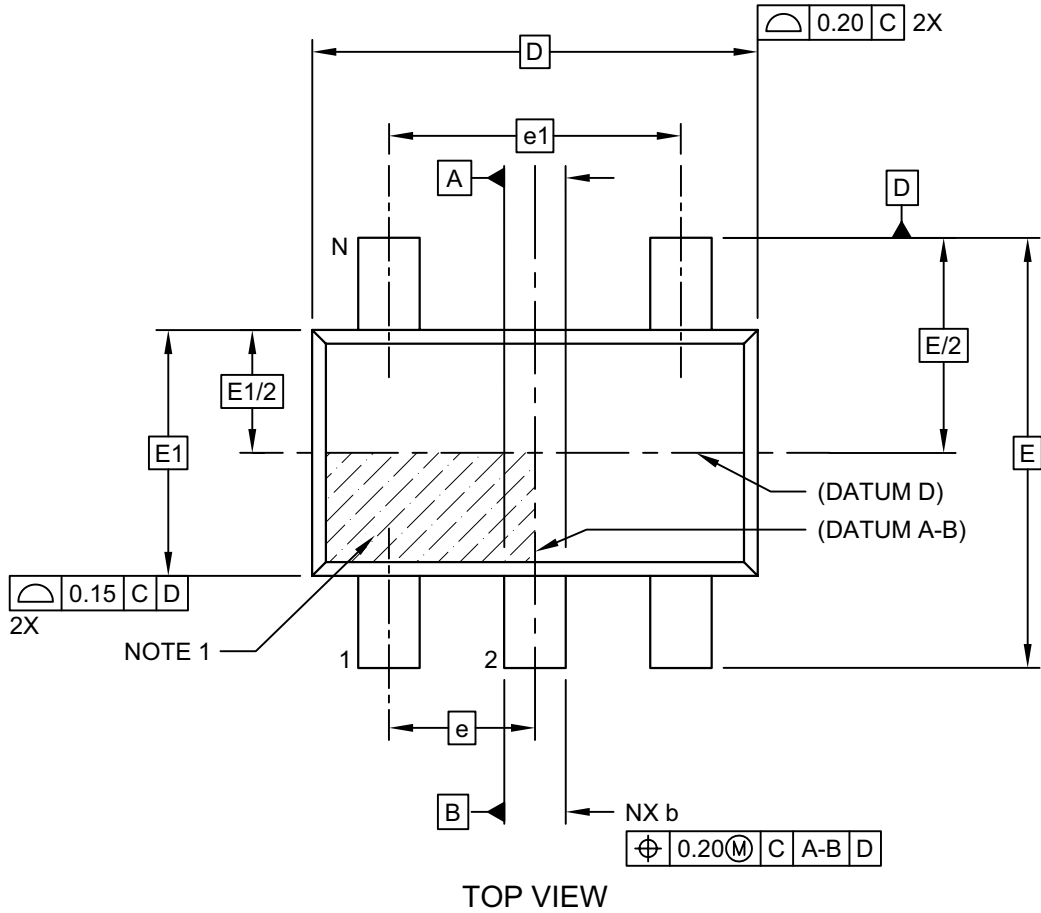
Example:



# MCP6291/1R/2/3/4/5

## 5-Lead Plastic Small Outline Transistor (OT) [SOT23]

**Note:** For the most current package drawings, please see the Microchip Packaging Specification located at <http://www.microchip.com/packaging>

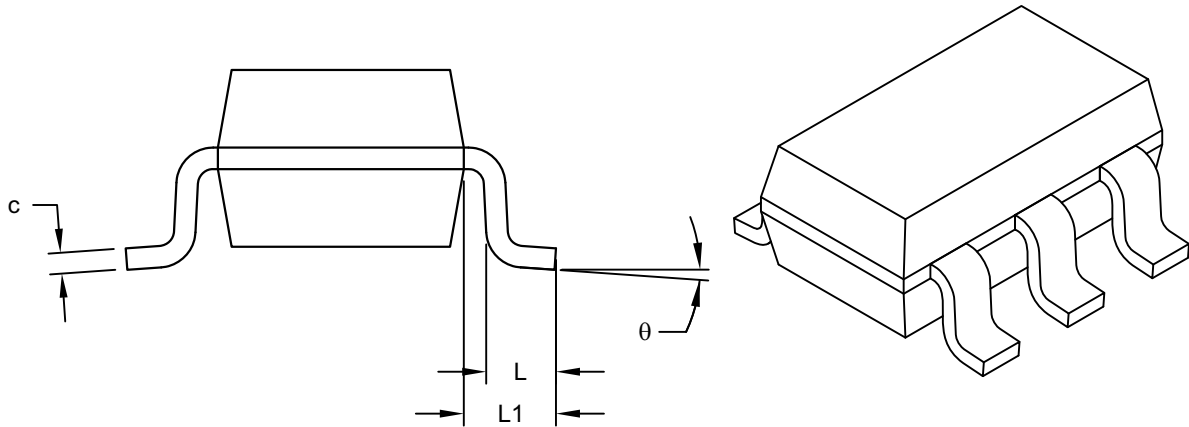


Microchip Technology Drawing C04-091-OT Rev F Sheet 1 of 2



## 5-Lead Plastic Small Outline Transistor (OT) [SOT23]

**Note:** For the most current package drawings, please see the Microchip Packaging Specification located at <http://www.microchip.com/packaging>



VIEW A-A  
SHEET 1

| Dimension Limits         | Units | MILLIMETERS |     |      |
|--------------------------|-------|-------------|-----|------|
|                          |       | MIN         | NOM | MAX  |
| Number of Pins           | N     | 5           |     |      |
| Pitch                    | e     | 0.95 BSC    |     |      |
| Outside lead pitch       | e1    | 1.90 BSC    |     |      |
| Overall Height           | A     | 0.90        | -   | 1.45 |
| Molded Package Thickness | A2    | 0.89        | -   | 1.30 |
| Standoff                 | A1    | -           | -   | 0.15 |
| Overall Width            | E     | 2.80 BSC    |     |      |
| Molded Package Width     | E1    | 1.60 BSC    |     |      |
| Overall Length           | D     | 2.90 BSC    |     |      |
| Foot Length              | L     | 0.30        | -   | 0.60 |
| Footprint                | L1    | 0.60 REF    |     |      |
| Foot Angle               | φ     | 0°          | -   | 10°  |
| Lead Thickness           | c     | 0.08        | -   | 0.26 |
| Lead Width               | b     | 0.20        | -   | 0.51 |

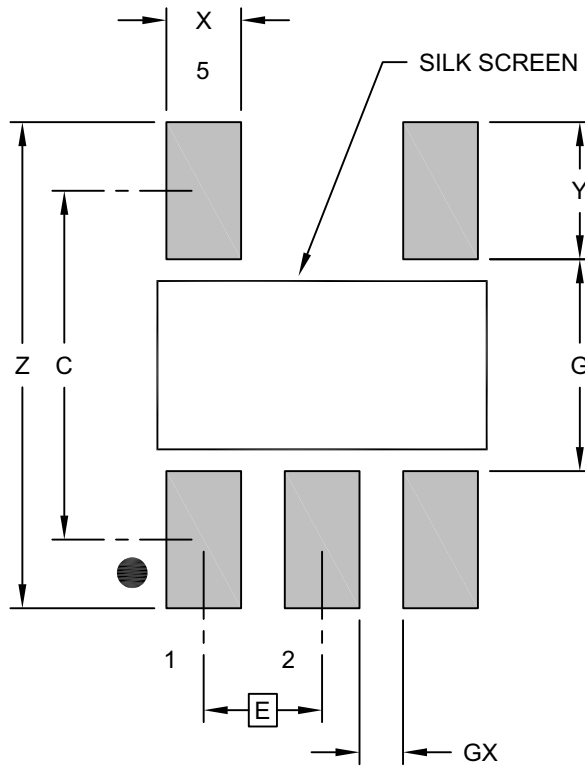
**Notes:**

- Dimensions D and E1 do not include mold flash or protrusions. Mold flash or protrusions shall not exceed 0.25mm per side.
- Dimensioning and tolerancing per ASME Y14.5M  
 BSC: Basic Dimension. Theoretically exact value shown without tolerances.  
 REF: Reference Dimension, usually without tolerance, for information purposes only.

# MCP6291/1R/2/3/4/5

## 5-Lead Plastic Small Outline Transistor (OT) [SOT23]

**Note:** For the most current package drawings, please see the Microchip Packaging Specification located at <http://www.microchip.com/packageing>



RECOMMENDED LAND PATTERN

| Dimension Limits        | Units | MILLIMETERS |      |      |
|-------------------------|-------|-------------|------|------|
|                         |       | MIN         | NOM  | MAX  |
| Contact Pitch           | E     | 0.95 BSC    |      |      |
| Contact Pad Spacing     | C     |             | 2.80 |      |
| Contact Pad Width (X5)  | X     |             |      | 0.60 |
| Contact Pad Length (X5) | Y     |             |      | 1.10 |
| Distance Between Pads   | G     | 1.70        |      |      |
| Distance Between Pads   | GX    | 0.35        |      |      |
| Overall Width           | Z     |             |      | 3.90 |

Notes:

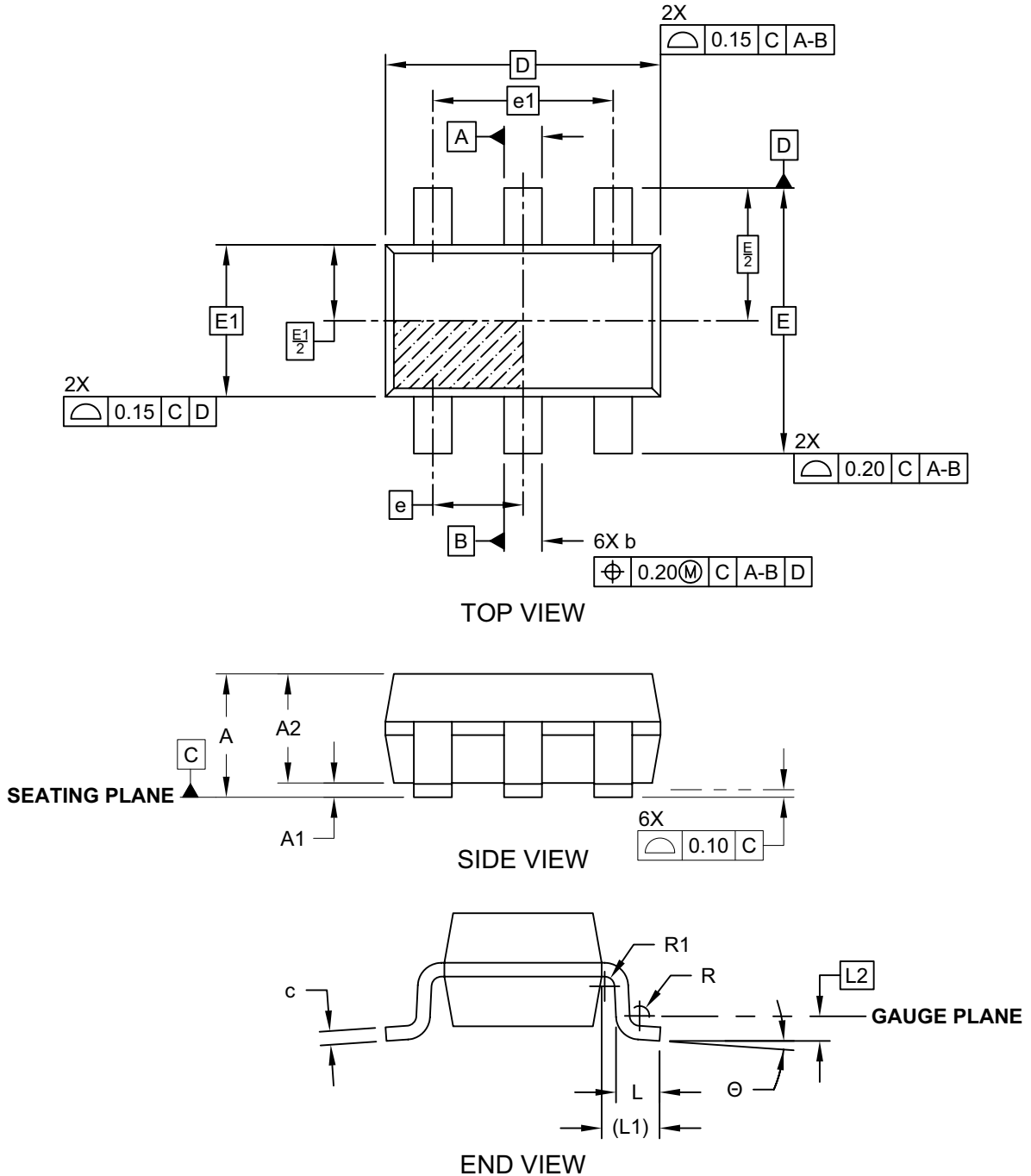
1. Dimensioning and tolerancing per ASME Y14.5M

BSC: Basic Dimension. Theoretically exact value shown without tolerances.

Microchip Technology Drawing No. C04-2091-OT Rev F

## 6-Lead Plastic Small Outline Transistor (CH, CHY) [SOT-23]

**Note:** For the most current package drawings, please see the Microchip Packaging Specification located at <http://www.microchip.com/packaging>

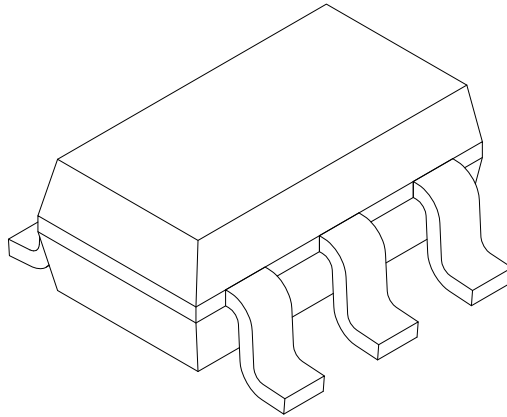


Microchip Technology Drawing C04-028C (CH) Sheet 1 of 2

# MCP6291/1R/2/3/4/5

## 6-Lead Plastic Small Outline Transistor (CH, CHY) [SOT-23]

**Note:** For the most current package drawings, please see the Microchip Packaging Specification located at <http://www.microchip.com/packaging>



| Dimension Limits             | Units  | MILLIMETERS |      |      |
|------------------------------|--------|-------------|------|------|
|                              |        | MIN         | NOM  | MAX  |
| Number of Leads              | N      | 6           |      |      |
| Pitch                        | e      | 0.95 BSC    |      |      |
| Outside lead pitch           | e1     | 1.90 BSC    |      |      |
| Overall Height               | A      | 0.90        | -    | 1.45 |
| Molded Package Thickness     | A2     | 0.89        | 1.15 | 1.30 |
| Standoff                     | A1     | 0.00        | -    | 0.15 |
| Overall Width                | E      | 2.80 BSC    |      |      |
| Molded Package Width         | E1     | 1.60 BSC    |      |      |
| Overall Length               | D      | 2.90 BSC    |      |      |
| Foot Length                  | L      | 0.30        | 0.45 | 0.60 |
| Footprint                    | L1     | 0.60 REF    |      |      |
| Seating Plane to Gauge Plane | L1     | 0.25 BSC    |      |      |
| Foot Angle                   | $\phi$ | 0°          | -    | 10°  |
| Lead Thickness               | c      | 0.08        | -    | 0.26 |
| Lead Width                   | b      | 0.20        | -    | 0.51 |

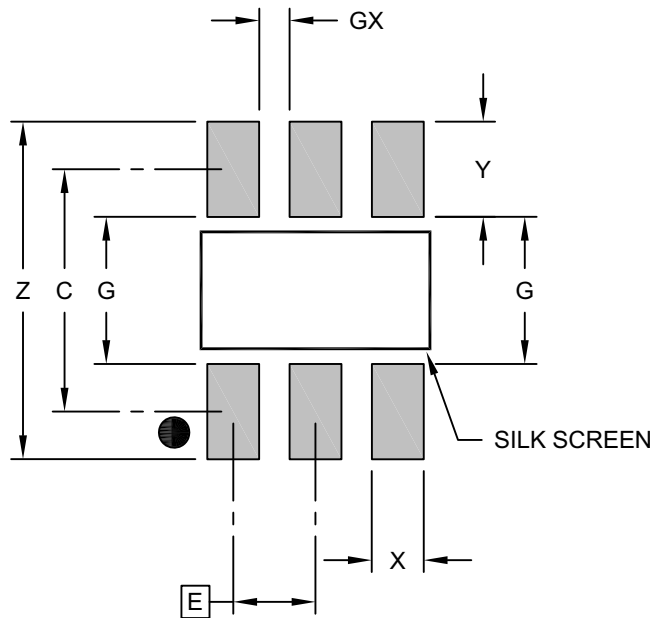
**Notes:**

1. Dimensions D and E1 do not include mold flash or protrusions. Mold flash or protrusions shall not exceed 0.25mm per side.
2. Dimensioning and tolerancing per ASME Y14.5M  
BSC: Basic Dimension. Theoretically exact value shown without tolerances.  
REF: Reference Dimension, usually without tolerance, for information purposes only.

Microchip Technology Drawing C04-028C (CH) Sheet 2 of 2

## 6-Lead Plastic Small Outline Transistor (CH, CHY) [SOT-23]

**Note:** For the most current package drawings, please see the Microchip Packaging Specification located at <http://www.microchip.com/packaging>



RECOMMENDED LAND PATTERN

| Dimension Limits        | Units | MILLIMETERS |      |      |
|-------------------------|-------|-------------|------|------|
|                         |       | MIN         | NOM  | MAX  |
| Contact Pitch           | E     | 0.95 BSC    |      |      |
| Contact Pad Spacing     | C     |             | 2.80 |      |
| Contact Pad Width (X3)  | X     |             |      | 0.60 |
| Contact Pad Length (X3) | Y     |             |      | 1.10 |
| Distance Between Pads   | G     | 1.70        |      |      |
| Distance Between Pads   | GX    | 0.35        |      |      |
| Overall Width           | Z     |             |      | 3.90 |

**Notes:**

1. Dimensioning and tolerancing per ASME Y14.5M

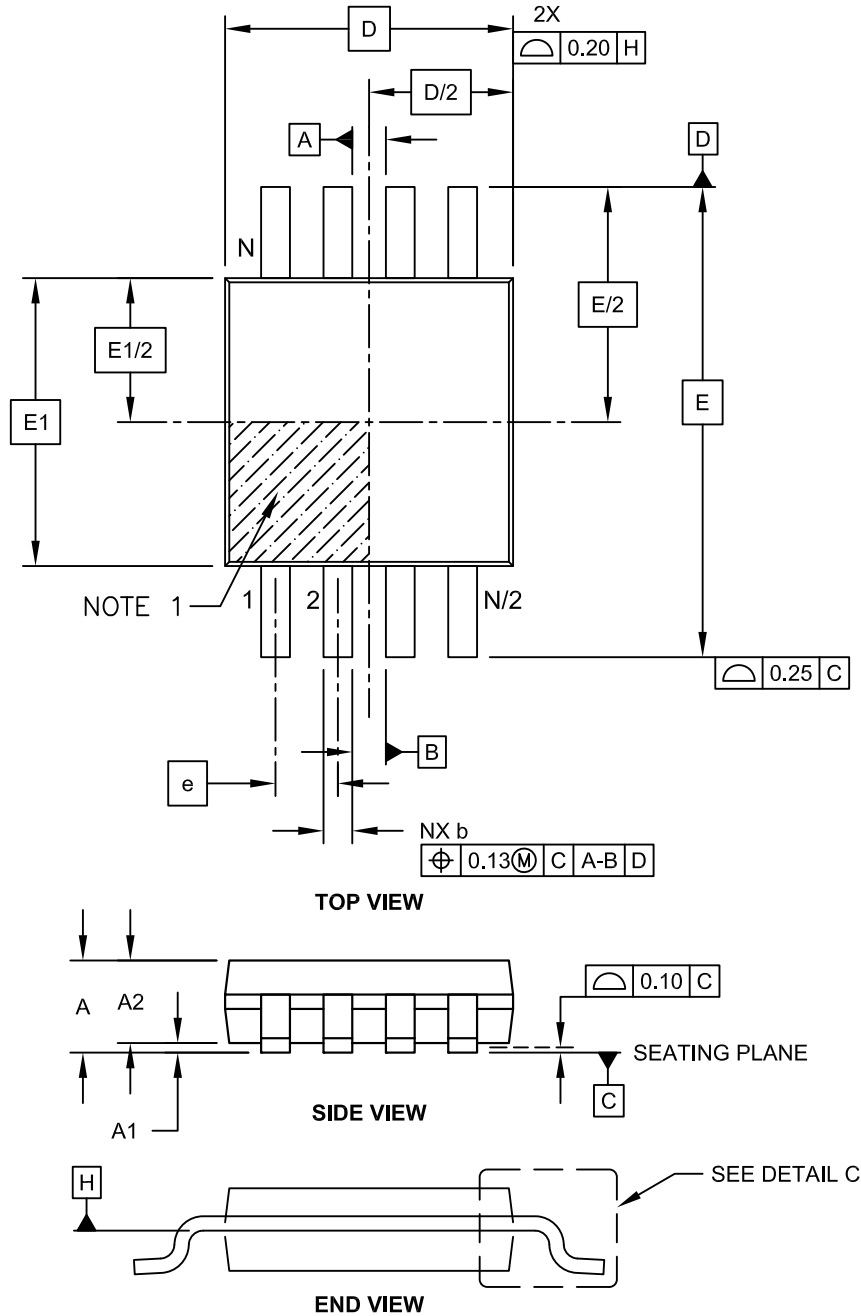
BSC: Basic Dimension. Theoretically exact value shown without tolerances.

Microchip Technology Drawing No. C04-2028B (CH)

# MCP6291/1R/2/3/4/5

## 8-Lead Plastic Micro Small Outline Package (MS) [MSOP]

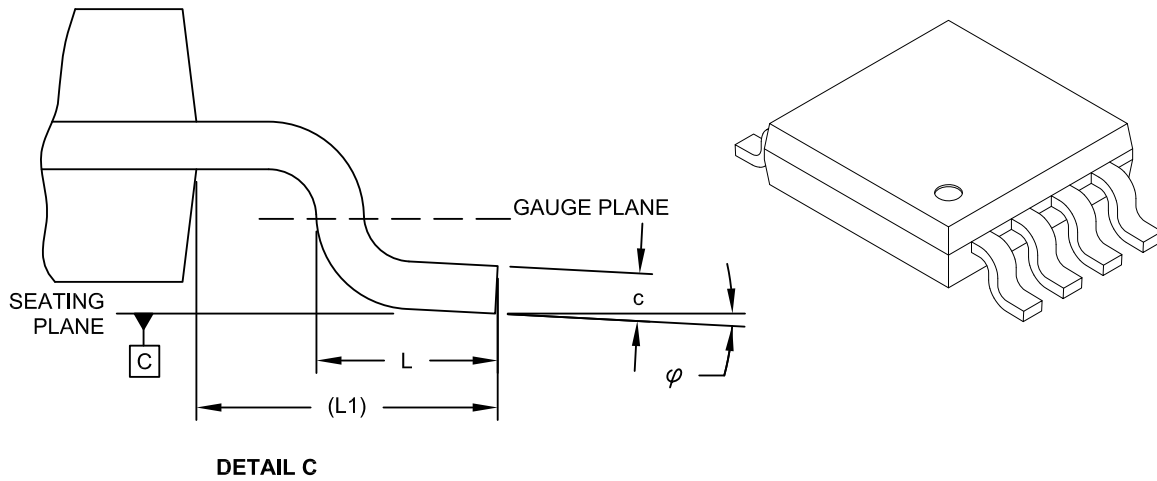
**Note:** For the most current package drawings, please see the Microchip Packaging Specification located at <http://www.microchip.com/packaging>



Microchip Technology Drawing C04-111C Sheet 1 of 2

## 8-Lead Plastic Micro Small Outline Package (MS) [MSOP]

**Note:** For the most current package drawings, please see the Microchip Packaging Specification located at <http://www.microchip.com/packaging>



| Dimension Limits         | Units | MILLIMETERS |      |      |
|--------------------------|-------|-------------|------|------|
|                          |       | MIN         | NOM  | MAX  |
| Number of Pins           | N     |             | 8    |      |
| Pitch                    | e     | 0.65 BSC    |      |      |
| Overall Height           | A     | -           | -    | 1.10 |
| Molded Package Thickness | A2    | 0.75        | 0.85 | 0.95 |
| Standoff                 | A1    | 0.00        | -    | 0.15 |
| Overall Width            | E     | 4.90 BSC    |      |      |
| Molded Package Width     | E1    | 3.00 BSC    |      |      |
| Overall Length           | D     | 3.00 BSC    |      |      |
| Foot Length              | L     | 0.40        | 0.60 | 0.80 |
| Footprint                | L1    | 0.95 REF    |      |      |
| Foot Angle               | φ     | 0°          | -    | 8°   |
| Lead Thickness           | c     | 0.08        | -    | 0.23 |
| Lead Width               | b     | 0.22        | -    | 0.40 |

**Notes:**

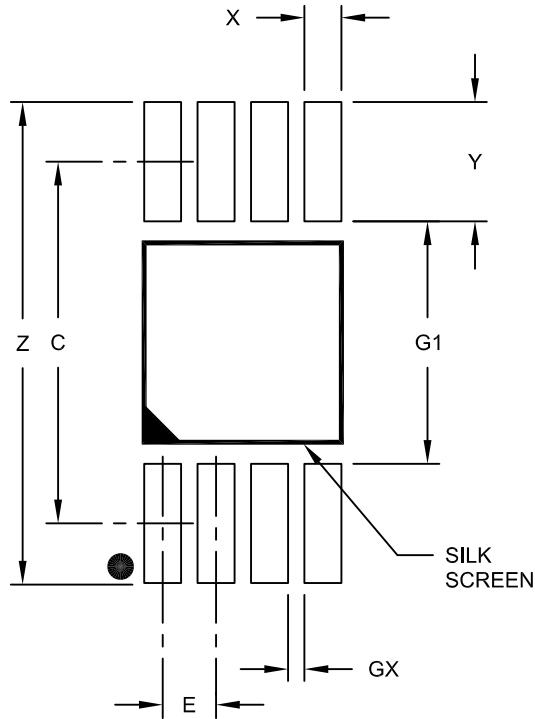
- Pin 1 visual index feature may vary, but must be located within the hatched area.
- Dimensions D and E1 do not include mold flash or protrusions. Mold flash or protrusions shall not exceed 0.15mm per side.
- Dimensioning and tolerancing per ASME Y14.5M.  
 BSC: Basic Dimension. Theoretically exact value shown without tolerances.  
 REF: Reference Dimension, usually without tolerance, for information purposes only.

Microchip Technology Drawing C04-111C Sheet 2 of 2

# MCP6291/1R/2/3/4/5

## 8-Lead Plastic Micro Small Outline Package (MS) [MSOP]

**Note:** For the most current package drawings, please see the Microchip Packaging Specification located at <http://www.microchip.com/packaging>



RECOMMENDED LAND PATTERN

| Dimension Limits        | Units | MILLIMETERS |      |      |
|-------------------------|-------|-------------|------|------|
|                         |       | MIN         | NOM  | MAX  |
| Contact Pitch           | E     | 0.65 BSC    |      |      |
| Contact Pad Spacing     | C     |             | 4.40 |      |
| Overall Width           | Z     |             |      | 5.85 |
| Contact Pad Width (X8)  | X1    |             |      | 0.45 |
| Contact Pad Length (X8) | Y1    |             |      | 1.45 |
| Distance Between Pads   | G1    | 2.95        |      |      |
| Distance Between Pads   | GX    | 0.20        |      |      |

Notes:

1. Dimensioning and tolerancing per ASME Y14.5M

BSC: Basic Dimension. Theoretically exact value shown without tolerances.

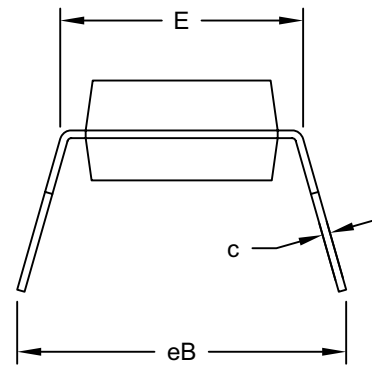
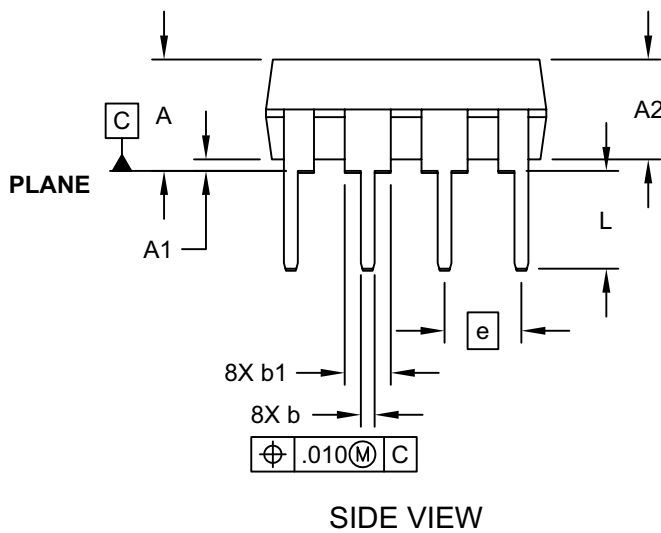
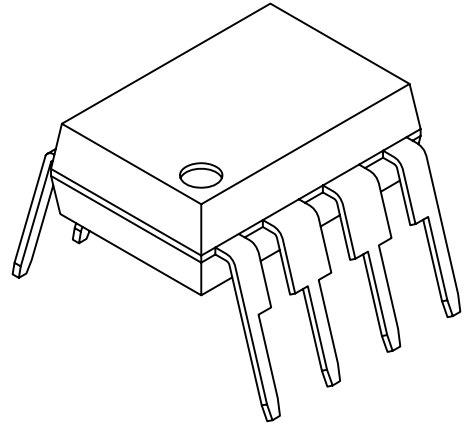
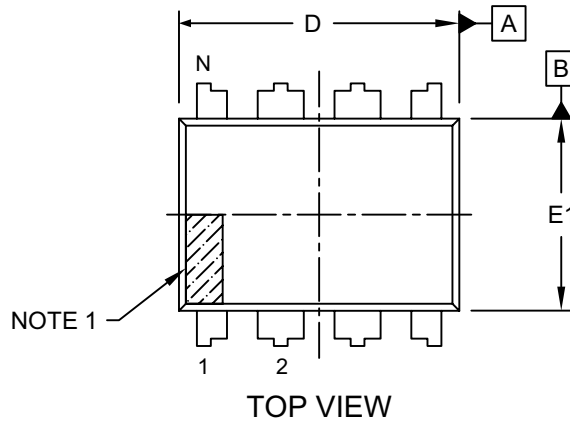
Microchip Technology Drawing No. C04-2111A



# MCP6291/1R/2/3/4/5

## 8-Lead Plastic Dual In-Line (P) - 300 mil Body [PDIP]

**Note:** For the most current package drawings, please see the Microchip Packaging Specification located at <http://www.microchip.com/packaging>



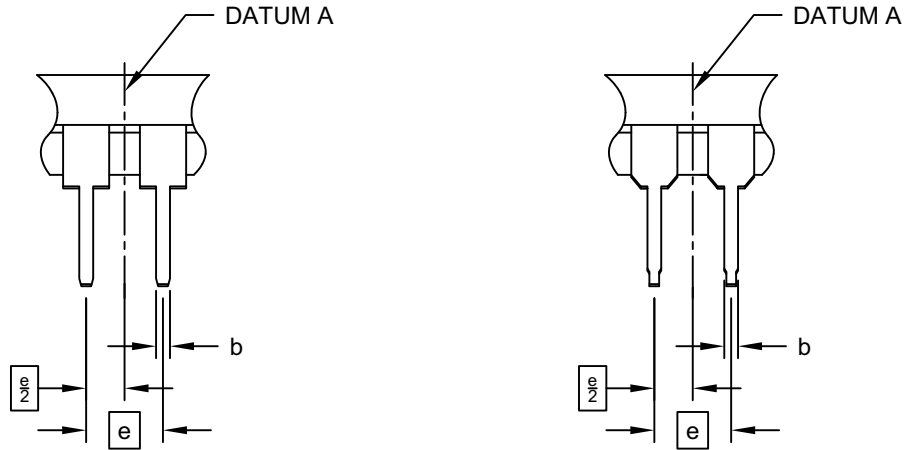
Microchip Technology Drawing No. C04-018-P Rev E Sheet 1 of 2

# MCP6291/1R/2/3/4/5

## 8-Lead Plastic Dual In-Line (P) - 300 mil Body [PDIP]

**Note:** For the most current package drawings, please see the Microchip Packaging Specification located at <http://www.microchip.com/packaging>

### ALTERNATE LEAD DESIGN (NOTE 5)



| Dimension Limits           | Units | INCHES   |      |      |
|----------------------------|-------|----------|------|------|
|                            |       | MIN      | NOM  | MAX  |
| Number of Pins             | N     | 8        |      |      |
| Pitch                      | e     | .100 BSC |      |      |
| Top to Seating Plane       | A     | -        | -    | .210 |
| Molded Package Thickness   | A2    | .115     | .130 | .195 |
| Base to Seating Plane      | A1    | .015     | -    | -    |
| Shoulder to Shoulder Width | E     | .290     | .310 | .325 |
| Molded Package Width       | E1    | .240     | .250 | .280 |
| Overall Length             | D     | .348     | .365 | .400 |
| Tip to Seating Plane       | L     | .115     | .130 | .150 |
| Lead Thickness             | c     | .008     | .010 | .015 |
| Upper Lead Width           | b1    | .040     | .060 | .070 |
| Lower Lead Width           | b     | .014     | .018 | .022 |
| Overall Row Spacing §      | eB    | -        | -    | .430 |

**Notes:**

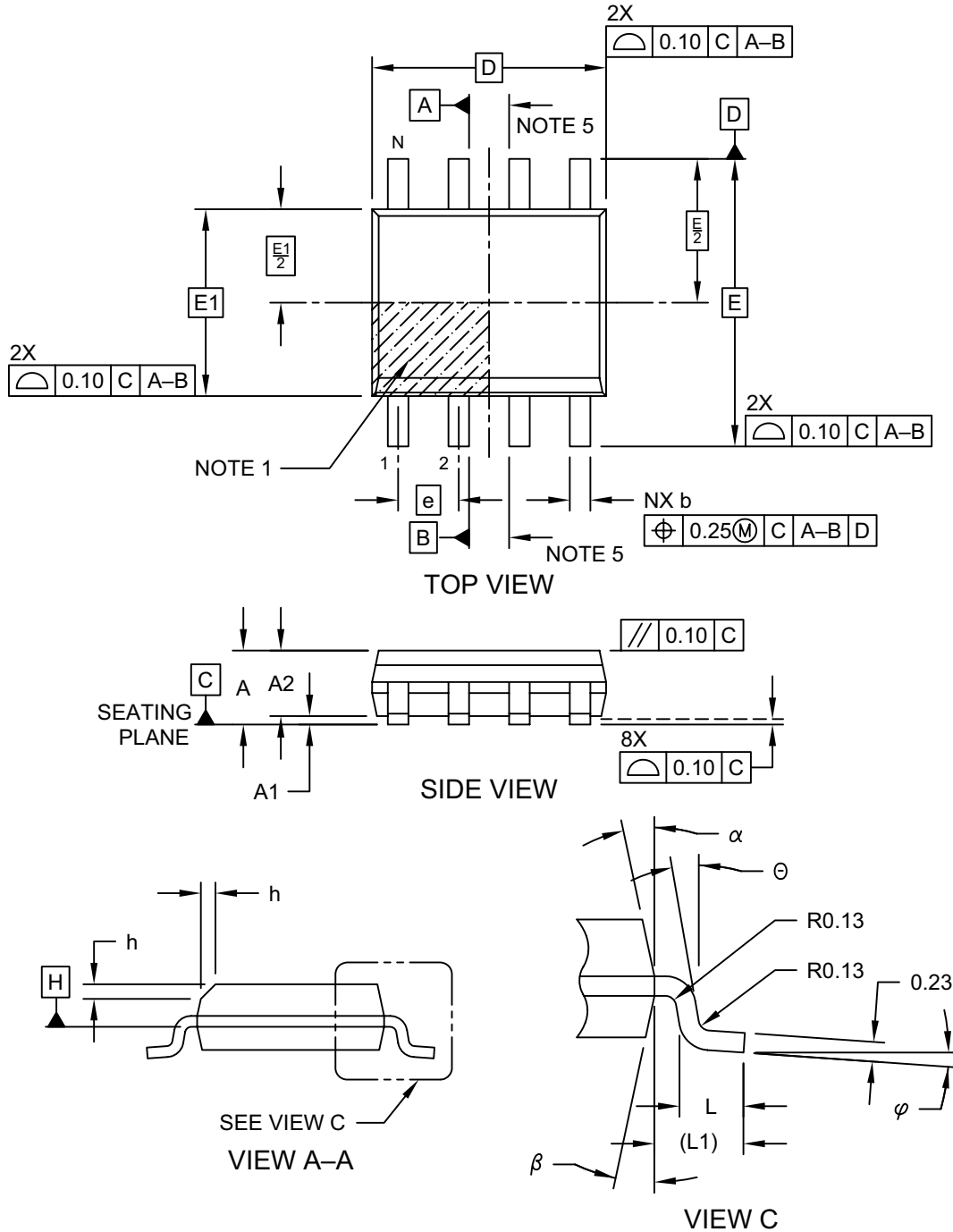
- Pin 1 visual index feature may vary, but must be located within the hatched area.
- § Significant Characteristic
- Dimensions D and E1 do not include mold flash or protrusions. Mold flash or protrusions shall not exceed .010" per side.
- Dimensioning and tolerancing per ASME Y14.5M  
BSC: Basic Dimension. Theoretically exact value shown without tolerances.
- Lead design above seating plane may vary, based on assembly vendor.

Microchip Technology Drawing No. C04-018-P Rev E Sheet 2 of 2

# MCP6291/1R/2/3/4/5

## 8-Lead Plastic Small Outline (SN) - Narrow, 3.90 mm (.150 In.) Body [SOIC]

**Note:** For the most current package drawings, please see the Microchip Packaging Specification located at <http://www.microchip.com/packaging>

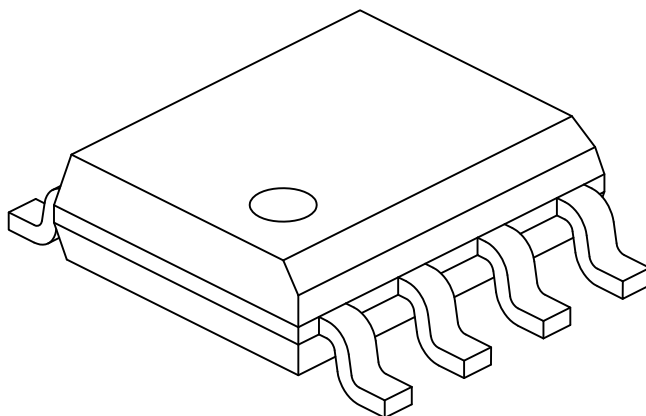


Microchip Technology Drawing No. C04-057-SN Rev F Sheet 1 of 2

# MCP6291/1R/2/3/4/5

## 8-Lead Plastic Small Outline (SN) - Narrow, 3.90 mm (.150 In.) Body [SOIC]

**Note:** For the most current package drawings, please see the Microchip Packaging Specification located at <http://www.microchip.com/packaging>



| Dimension Limits         | Units    | MILLIMETERS |     |      |
|--------------------------|----------|-------------|-----|------|
|                          |          | MIN         | NOM | MAX  |
| Number of Pins           | N        | 8           |     |      |
| Pitch                    | e        | 1.27 BSC    |     |      |
| Overall Height           | A        | -           | -   | 1.75 |
| Molded Package Thickness | A2       | 1.25        | -   | -    |
| Standoff §               | A1       | 0.10        | -   | 0.25 |
| Overall Width            | E        | 6.00 BSC    |     |      |
| Molded Package Width     | E1       | 3.90 BSC    |     |      |
| Overall Length           | D        | 4.90 BSC    |     |      |
| Chamfer (Optional)       | h        | 0.25        | -   | 0.50 |
| Foot Length              | L        | 0.40        | -   | 1.27 |
| Footprint                | L1       | 1.04 REF    |     |      |
| Foot Angle               | $\phi$   | 0°          | -   | 8°   |
| Lead Thickness           | c        | 0.17        | -   | 0.25 |
| Lead Width               | b        | 0.31        | -   | 0.51 |
| Mold Draft Angle Top     | $\alpha$ | 5°          | -   | 15°  |
| Mold Draft Angle Bottom  | $\beta$  | 5°          | -   | 15°  |

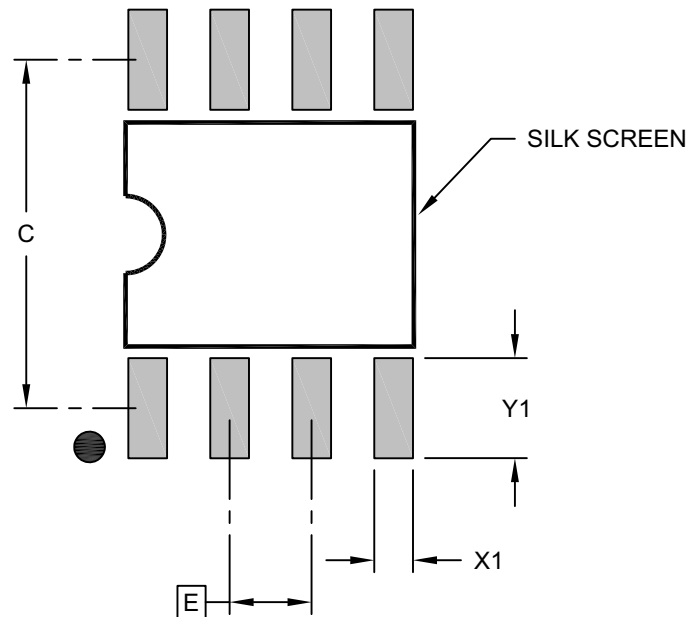
**Notes:**

1. Pin 1 visual index feature may vary, but must be located within the hatched area.
2. § Significant Characteristic
3. Dimensions D and E1 do not include mold flash or protrusions. Mold flash or protrusions shall not exceed 0.15mm per side.
4. Dimensioning and tolerancing per ASME Y14.5M  
BSC: Basic Dimension. Theoretically exact value shown without tolerances.  
REF: Reference Dimension, usually without tolerance, for information purposes only.
5. Datums A & B to be determined at Datum H.

Microchip Technology Drawing No. C04-057-SN Rev F Sheet 2 of 2

## 8-Lead Plastic Small Outline (SN) - Narrow, 3.90 mm (.150 In.) Body [SOIC]

**Note:** For the most current package drawings, please see the Microchip Packaging Specification located at <http://www.microchip.com/packaging>



RECOMMENDED LAND PATTERN

| Dimension Limits        | Units | MILLIMETERS |      |      |
|-------------------------|-------|-------------|------|------|
|                         |       | MIN         | NOM  | MAX  |
| Contact Pitch           | E     | 1.27 BSC    |      |      |
| Contact Pad Spacing     | C     |             | 5.40 |      |
| Contact Pad Width (X8)  | X1    |             |      | 0.60 |
| Contact Pad Length (X8) | Y1    |             |      | 1.55 |

**Notes:**

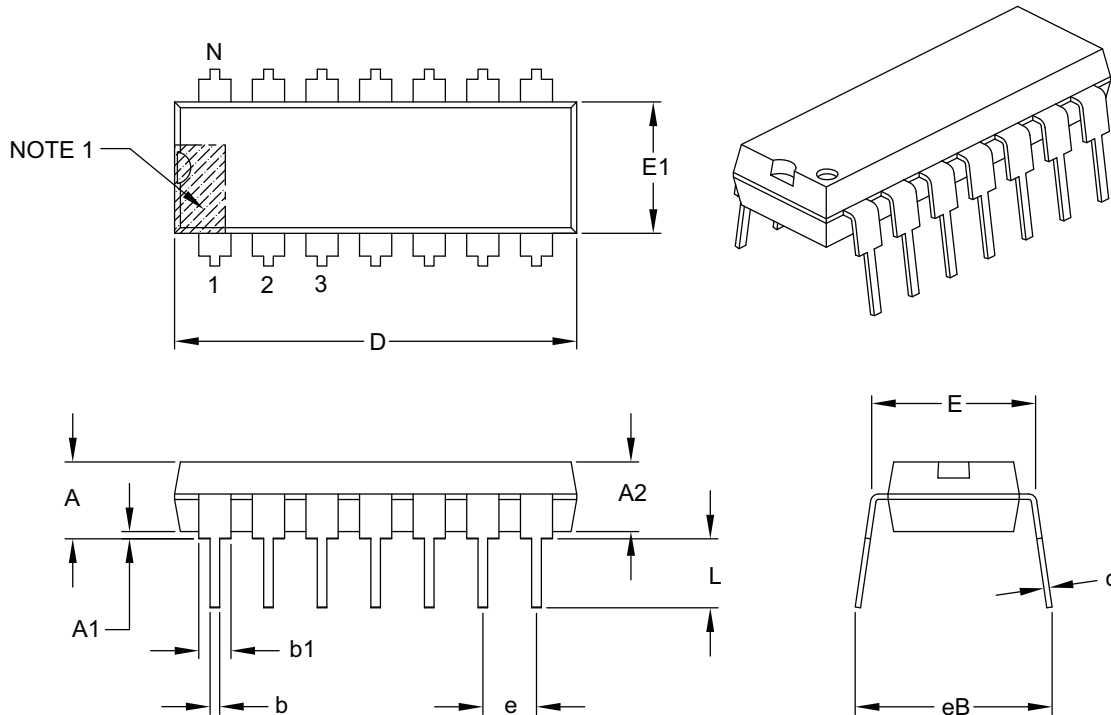
1. Dimensioning and tolerancing per ASME Y14.5M  
BSC: Basic Dimension. Theoretically exact value shown without tolerances.

Microchip Technology Drawing C04-2057-SN Rev F

# MCP6291/1R/2/3/4/5

## 14-Lead Plastic Dual In-Line (P) – 300 mil Body [PDIP]

**Note:** For the most current package drawings, please see the Microchip Packaging Specification located at <http://www.microchip.com/packaging>



| Dimension Limits           | Units | INCHES   |      |      |
|----------------------------|-------|----------|------|------|
|                            |       | MIN      | NOM  | MAX  |
| Number of Pins             | N     | 14       |      |      |
| Pitch                      | e     | .100 BSC |      |      |
| Top to Seating Plane       | A     | –        | –    | .210 |
| Molded Package Thickness   | A2    | .115     | .130 | .195 |
| Base to Seating Plane      | A1    | .015     | –    | –    |
| Shoulder to Shoulder Width | E     | .290     | .310 | .325 |
| Molded Package Width       | E1    | .240     | .250 | .280 |
| Overall Length             | D     | .735     | .750 | .775 |
| Tip to Seating Plane       | L     | .115     | .130 | .150 |
| Lead Thickness             | c     | .008     | .010 | .015 |
| Upper Lead Width           | b1    | .045     | .060 | .070 |
| Lower Lead Width           | b     | .014     | .018 | .022 |
| Overall Row Spacing §      | eB    | –        | –    | .430 |

**Notes:**

- Pin 1 visual index feature may vary, but must be located with the hatched area.
- § Significant Characteristic.
- Dimensions D and E1 do not include mold flash or protrusions. Mold flash or protrusions shall not exceed .010" per side.
- Dimensioning and tolerancing per ASME Y14.5M.

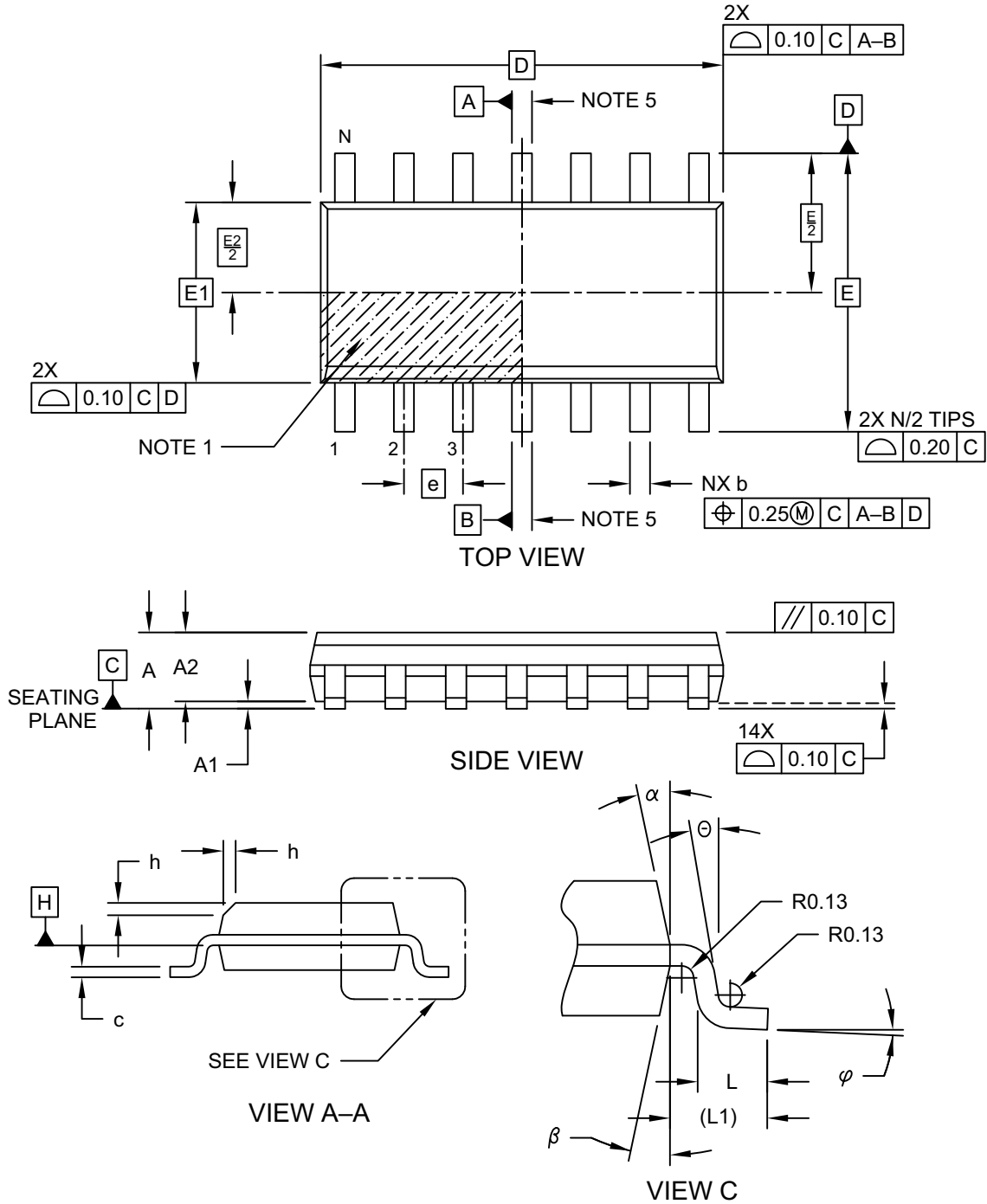
BSC: Basic Dimension. Theoretically exact value shown without tolerances.

Microchip Technology Drawing C04-005B

# MCP6291/1R/2/3/4/5

## 14-Lead Plastic Small Outline (SL) - Narrow, 3.90 mm Body [SOIC]

**Note:** For the most current package drawings, please see the Microchip Packaging Specification located at <http://www.microchip.com/packaging>

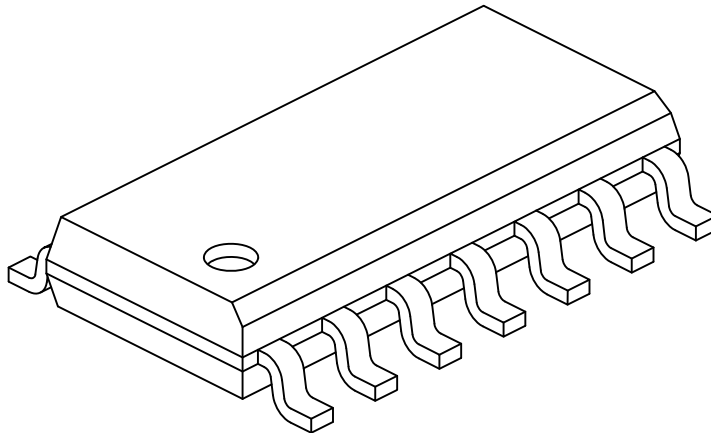


Microchip Technology Drawing No. C04-065-SL Rev D Sheet 1 of 2

# MCP6291/1R/2/3/4/5

## 14-Lead Plastic Small Outline (SL) - Narrow, 3.90 mm Body [SOIC]

**Note:** For the most current package drawings, please see the Microchip Packaging Specification located at <http://www.microchip.com/packaging>



| Dimension Limits         | Units     | MILLIMETERS |     |      |
|--------------------------|-----------|-------------|-----|------|
|                          |           | MIN         | NOM | MAX  |
| Number of Pins           | N         | 14          |     |      |
| Pitch                    | e         | 1.27 BSC    |     |      |
| Overall Height           | A         | -           | -   | 1.75 |
| Molded Package Thickness | A2        | 1.25        | -   | -    |
| Standoff §               | A1        | 0.10        | -   | 0.25 |
| Overall Width            | E         | 6.00 BSC    |     |      |
| Molded Package Width     | E1        | 3.90 BSC    |     |      |
| Overall Length           | D         | 8.65 BSC    |     |      |
| Chamfer (Optional)       | h         | 0.25        | -   | 0.50 |
| Foot Length              | L         | 0.40        | -   | 1.27 |
| Footprint                | L1        | 1.04 REF    |     |      |
| Lead Angle               | $\Theta$  | 0°          | -   | -    |
| Foot Angle               | $\varphi$ | 0°          | -   | 8°   |
| Lead Thickness           | c         | 0.10        | -   | 0.25 |
| Lead Width               | b         | 0.31        | -   | 0.51 |
| Mold Draft Angle Top     | $\alpha$  | 5°          | -   | 15°  |
| Mold Draft Angle Bottom  | $\beta$   | 5°          | -   | 15°  |

### Notes:

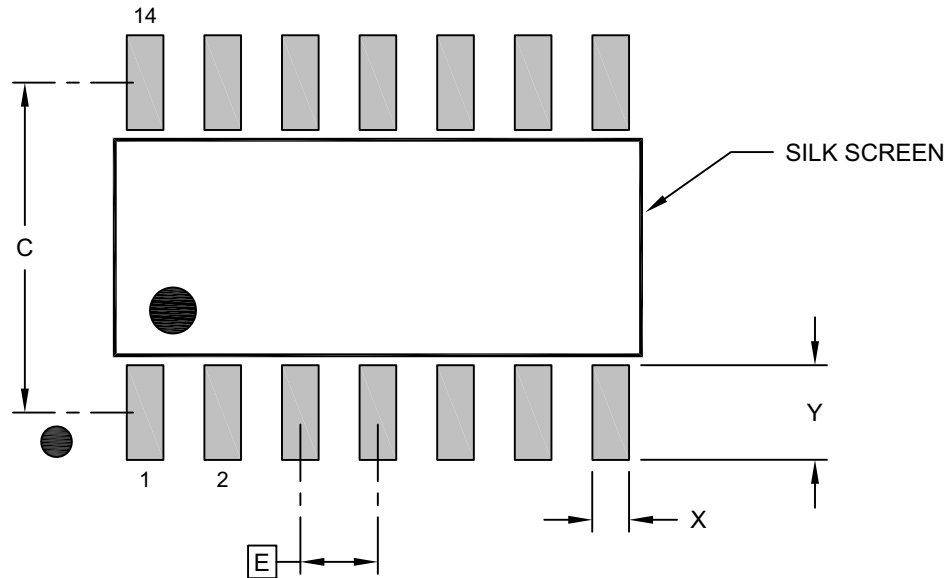
1. Pin 1 visual index feature may vary, but must be located within the hatched area.
2. § Significant Characteristic
3. Dimension D does not include mold flash, protrusions or gate burrs, which shall not exceed 0.15 mm per end. Dimension E1 does not include interlead flash or protrusion, which shall not exceed 0.25 mm per side.
4. Dimensioning and tolerancing per ASME Y14.5M  
BSC: Basic Dimension. Theoretically exact value shown without tolerances.  
REF: Reference Dimension, usually without tolerance, for information purposes only.
5. Datums A & B to be determined at Datum H.

Microchip Technology Drawing No. C04-065-SL Rev D Sheet 2 of 2



## 14-Lead Plastic Small Outline (SL) - Narrow, 3.90 mm Body [SOIC]

**Note:** For the most current package drawings, please see the Microchip Packaging Specification located at <http://www.microchip.com/packaging>



### RECOMMENDED LAND PATTERN

| Units                    |   | MILLIMETERS |          |      |
|--------------------------|---|-------------|----------|------|
| Dimension Limits         |   | MIN         | NOM      | MAX  |
| Contact Pitch            | E |             | 1.27 BSC |      |
| Contact Pad Spacing      | C |             | 5.40     |      |
| Contact Pad Width (X14)  | X |             |          | 0.60 |
| Contact Pad Length (X14) | Y |             |          | 1.55 |

**Notes:**

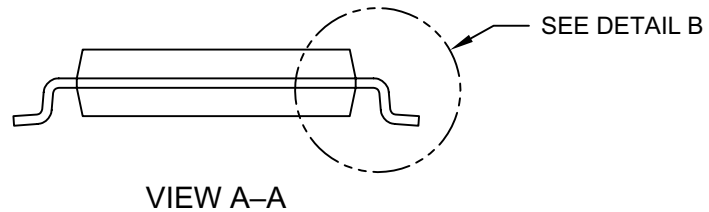
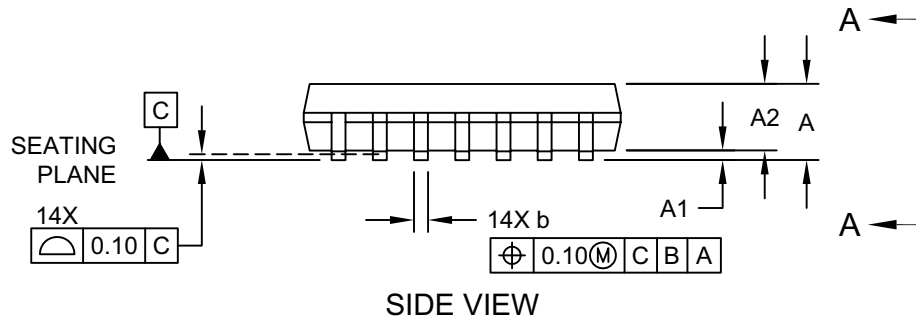
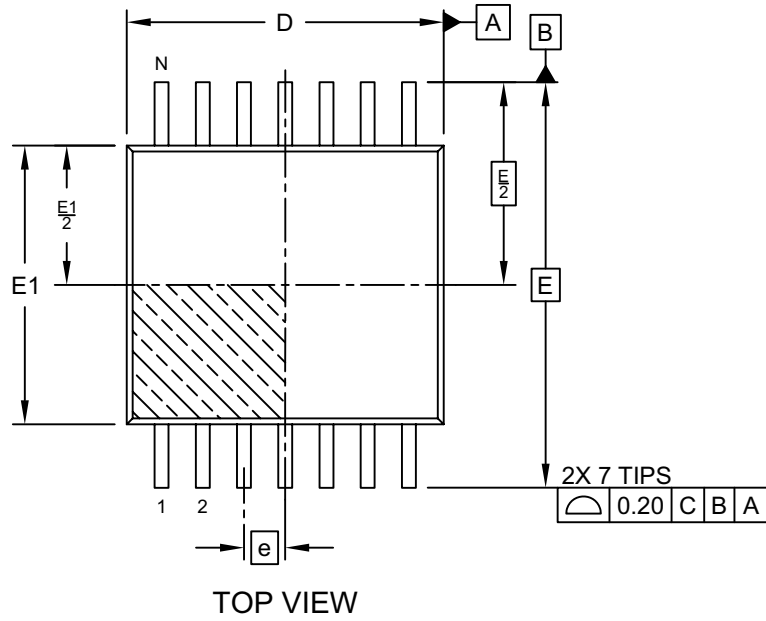
- Dimensioning and tolerancing per ASME Y14.5M  
BSC: Basic Dimension. Theoretically exact value shown without tolerances.

Microchip Technology Drawing No. C04-2065-SL Rev D

# MCP6291/1R/2/3/4/5

## 14Lead Thin Shrink Small Outline Package [ST] 4.4 mm Body [TSSOP]

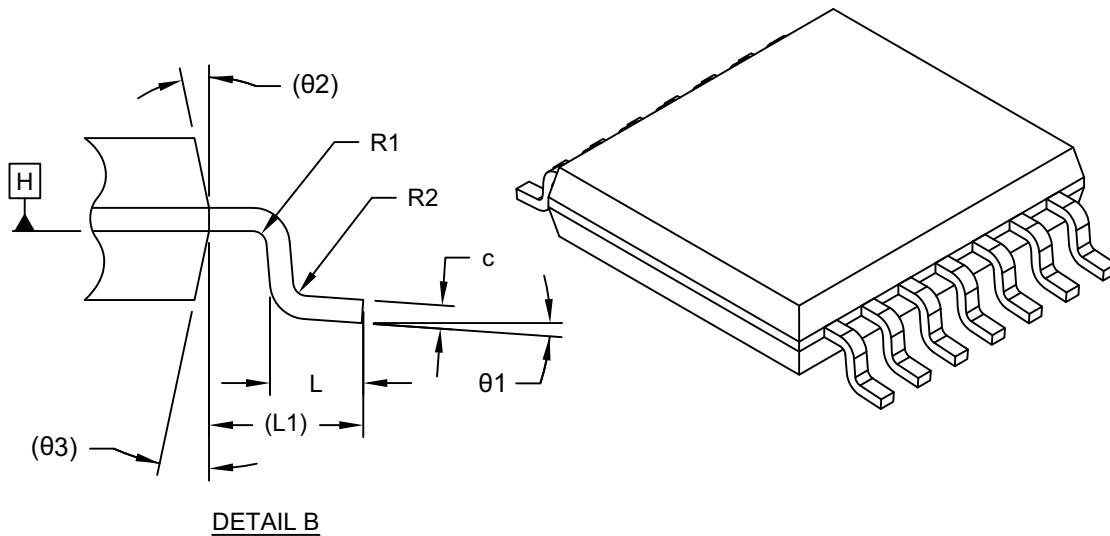
**Note:** For the most current package drawings, please see the Microchip Packaging Specification located at <http://www.microchip.com/packaging>



Microchip Technology Drawing C04-087 Rev D Sheet 1 of 2

## 14Lead Thin Shrink Small Outline Package [ST] 4.4 mm Body [TSSOP]

**Note:** For the most current package drawings, please see the Microchip Packaging Specification located at <http://www.microchip.com/packaging>



| Dimension                | Units   | MILLIMETERS |         |      |
|--------------------------|---------|-------------|---------|------|
|                          |         | MIN         | NOM     | MAX  |
| Number of Terminals      | N       | 14          |         |      |
| Pitch                    | e       | 0.65 BSC    |         |      |
| Overall Height           | A       | –           | –       | 1.20 |
| Standoff                 | A1      | 0.05        | –       | 0.15 |
| Molded Package Thickness | A2      | 0.80        | 1.00    | 1.05 |
| Overall Length           | D       | 4.90        | 5.00    | 5.10 |
| Overall Width            | E       | 6.40 BSC    |         |      |
| Molded Package Width     | E1      | 4.30        | 4.40    | 4.50 |
| Terminal Width           | b       | 0.19        | –       | 0.30 |
| Terminal Thickness       | c       | 0.09        | –       | 0.20 |
| Terminal Length          | L       | 0.45        | 0.60    | 0.75 |
| Footprint                | L1      | 1.00 REF    |         |      |
| Lead Bend Radius         | R1      | 0.09        | –       | –    |
| Lead Bend Radius         | R2      | 0.09        | –       | –    |
| Foot Angle               | theta 1 | 0°          | –       | 8°   |
| Mold Draft Angle         | theta 2 | –           | 12° REF | –    |
| Mold Draft Angle         | theta 3 | –           | 12° REF | –    |

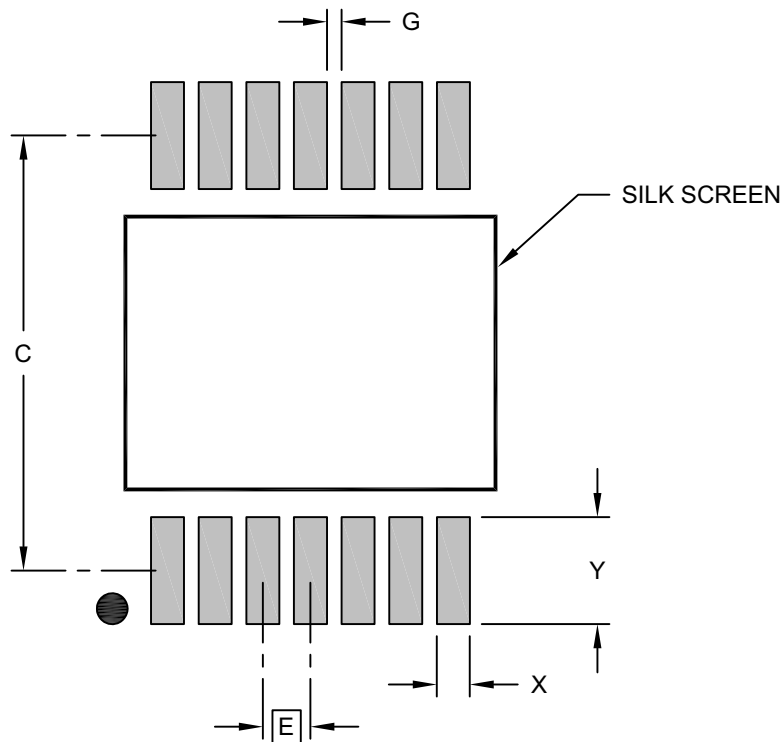
**Notes:**

- Pin 1 visual index feature may vary, but must be located within the hatched area.
- Dimensioning and tolerancing per ASME Y14.5M  
 BSC: Basic Dimension. Theoretically exact value shown without tolerances.  
 REF: Reference Dimension, usually without tolerance, for information purposes only.

# MCP6291/1R/2/3/4/5

## 14Lead Thin Shrink Small Outline Package [ST] 4.4 mm Body [TSSOP]

**Note:** For the most current package drawings, please see the Microchip Packaging Specification located at <http://www.microchip.com/packaging>



### RECOMMENDED LAND PATTERN

| Dimension Limits                 | Units | MILLIMETERS |      |      |
|----------------------------------|-------|-------------|------|------|
|                                  |       | MIN         | NOM  | MAX  |
| Contact Pitch                    | E     | 0.65 BSC    |      |      |
| Contact Pad Spacing              | C     |             | 5.90 |      |
| Contact Pad Width (Xnn)          | X     |             |      | 0.45 |
| Contact Pad Length (Xnn)         | Y     |             |      | 1.45 |
| Contact Pad to Contact Pad (Xnn) | G     | 0.20        |      |      |

**Notes:**

1. Dimensioning and tolerancing per ASME Y14.5M  
BSC: Basic Dimension. Theoretically exact value shown without tolerances.

Microchip Technology Drawing C04-2087 Rev D

## APPENDIX A: REVISION HISTORY

### Revision G (March 2020)

The following is the list of modifications:

1. Updated **Features**.
2. Updated **Applications**.
3. Updated **Description**.
4. Updated **Section 1.0 “Electrical Characteristics”**.
5. Updated **Temperature Specifications**.
6. Updated **Section 2.0 “Typical Performance Curves”**.
7. Updated **Product Identification System**.

### Revision F (November 2019)

The following is the list of modifications:

1. Updated **Section 6.0 “Packaging Information”**.

### Revision E (November 2007)

The following is the list of modifications:

1. Updated notes to **Section 1.0 “Electrical Characteristics”**. Increased absolute maximum voltage range of input pins. Increased maximum operating supply voltage ( $V_{DD}$ ).
2. Added Test Circuits.
3. Added **Figure 2-31** and **Figure 2-32**.
4. Added **Section 4.1.1 “Phase Reversal”**, **Section 4.1.2 “Input Voltage and Current Limits”**, and **Section 4.1.3 “Normal Operation”**.
5. Added **Section 4.7 “Unused Op Amps”**.
6. Updated **Section 5.0 “Design Aids”**.
7. Corrected Package Markings.
8. Updated Package Outline Drawing.

### Revision D (December 2004)

The following is the list of modifications:

1. Added SOT-23-5 packages for the MCP6291 and MCP6291R single op amps.
2. Added SOT-23-6 package for the MCP6293 single op amp.
3. Added **Section 3.0 “Pin Descriptions”**.
4. Corrected application circuits (**Section 4.9 “Application Circuits”**).
5. Added SOT-23-5 and SOT-23-6 packages and corrected package marking information (**Section 6.0 “Packaging Information”**).
6. Added Appendix A: Revision History.

### Revision C (June 2004)

- Undocumented changes.

### Revision B (October 2003)

- Undocumented changes.

### Revision A (June 2003)

- Original data sheet release.

# MCP6291/1R/2/3/4/5

---

NOTES:

## PRODUCT IDENTIFICATION SYSTEM

To order or obtain information, e.g., on pricing or delivery, refer to the factory or the listed sales office.

| <u>PART NO.</u>    | <u>- X</u>        | <u>/XX</u>   |  |
|--------------------|-------------------|--|--|
| Device             | Temperature Range | Package  |  |
| Device:            | MCP6291:          | Single Op Amp  |  |
|                    | MCP6291T:         | Single Op Amp<br>(Tape and Reel)<br>(SOIC, MSOP, SOT-23-5)                         |  |
|                    | MCP6291RT:        | Single Op Amp<br>(Tape and Reel) (SOT-23-5)  |  |
|                    | MCP6292:          | Dual Op Amp  |  |
|                    | MCP6292T:         | Dual Op Amp<br>(Tape and Reel) (SOIC, MSOP)  |  |
|                    | MCP6293:          | Single Op Amp with <u>Chip Select</u>  |  |
|                    | MCP6293T:         | Single Op Amp with <u>Chip Select</u><br>(Tape and Reel)<br>(SOIC, MSOP, SOT-23-6) |  |
|                    | MCP6294:          | Quad Op Amp  |  |
|                    | MCP6294T:         | Quad Op Amp<br>(Tape and Reel) (SOIC, TSSOP)                                       |  |
|                    | MCP6295:          | Dual Op Amp with <u>Chip Select</u>  |  |
|                    | MCP6295T:         | Dual Op Amp with <u>Chip Select</u><br>(Tape and Reel) (SOIC, MSOP)                |  |
| Temperature Range: | E                 | = -40° C to +125° C  |  |
|                    | H                 | = -40° C to +150° C (MCP6292 only)   |  |
| Package:           | OT                | = Plastic Small Outline Transistor (SOT-23), 5-Lead<br>(MCP6291, MCP6291R)         |  |
|                    | CH                | = Plastic Small Outline Transistor (SOT-23), 6-Lead<br>(MCP6293)                   |  |
|                    | MS                | = Plastic MSOP, 8-Lead   |  |
|                    | P                 | = Plastic DIP (300 mil body), 8-Lead, 14-Lead                                      |  |
|                    | SN                | = Plastic SOIC, (3.90 mm body), 8-Lead   |  |
|                    | SL                | = Plastic SOIC (3.90 mm body), 14-Lead   |  |
|                    | ST                | = Plastic TSSOP (4.4 mm body), 14-Lead   |  |

| Examples: |  |
|-----------|--|
| a)        | MCP6291-E/SN: Extended Temperature, 8-Lead SOIC package                    |
| b)        | MCP6291-E/MS: Extended Temperature, 8-Lead MSOP package                    |
| c)        | MCP6291-E/P: Extended Temperature, 8-Lead PDIP package                     |
| d)        | MCP6291T-E/MS: Extended Temperature, 8 lead MSOP package, Tape and Reel    |
| e)        | MCP6291T-E/SN: Extended Temperature, 8 lead SOIC package, Tape and Reel    |
| f)        | MCP6291T-E/OT: Extended Temperature, 5 lead SOT-23 package, Tape and Reel  |
| g)        | MCP6291RT-E/OT: Extended Temperature, 5 lead SOT-23 package. Tape and Reel |
| a)        | MCP6292-E/SN: Extended Temperature, 8-Lead SOIC package                    |
| b)        | MCP6292-E/MS: Extended Temperature, 8-Lead MSOP package                    |
| c)        | MCP6292-E/P: Extended Temperature, 8-Lead PDIP package                     |
| d)        | MCP6292-H/MS: High Temperature, 8-Lead MSOP package                        |
| e)        | MCP6292T-E/SN: Extended Temperature, 8-Lead SOIC package, Tape and Reel    |
| f)        | MCP6292T-E/MS: Extended Temperature, 8-Lead MSOP package, Tape and Reel    |
| g)        | MCP6292T-H/MS: High Temperature, 8-Lead MSOP package, Tape and Reel        |
| a)        | MCP6293-E/SN: Extended Temperature, 8-Lead SOIC package                    |
| b)        | MCP6293T-E/MS: Extended Temperature, 8 lead MSOP package, Tape and Reel    |
| c)        | MCP6293-E/P: Extended Temperature, 8-Lead PDIP package                     |
| d)        | MCP6293T-E/CH: Extended Temperature, 6-Lead SOT-23 package, Tape and Reel  |
| a)        | MCP6294-E/P: Extended Temperature, 14-Lead PDIP package                    |
| b)        | MCP6294T-E/SL: Extended Temperature, 14-Lead SOIC package, Tape and Reel   |
| c)        | MCP6294-E/SL: Extended Temperature, 14-Lead SOIC package                   |
| d)        | MCP6294-E/ST: Extended Temperature, 14-Lead TSSOP package                  |
| a)        | MCP6295-E/SN: Extended Temperature, 8-Lead SOIC package                    |
| b)        | MCP6295-E/MS: Extended Temperature, 8-Lead MSOP package                    |
| c)        | MCP6295-E/P: Extended Temperature, 8-Lead PDIP package                     |
| d)        | MCP6295T-E/SN: Extended Temperature, 8-Lead SOIC package, Tape and Reel    |

# MCP6291/1R/2/3/4/5

## PRODUCT IDENTIFICATION SYSTEM (AUTOMOTIVE)

To order or obtain information, e.g., on pricing or delivery, refer to the factory or the listed sales office.

| <u>PART NO.</u>    | <u>- X</u>  | <u>/XX</u>   |   |
|--------------------|---|--|---|
| Device             | Temperature Range                                   | Package  |   |
| Device:            | MCP6291:<br>MCP6291T:                               | Single Op Amp<br>Single Op Amp<br>(Tape and Reel) (SOT-23-5)   |   |
|                    | MCP6292:<br>MCP6292T:                               | Dual Op Amp<br>Dual Op Amp<br>(Tape and Reel) (SOIC, MSOP)   |   |
|                    | MCP6294:<br>MCP6294T:                               | Quad Op Amp<br>Quad Op Amp<br>(Tape and Reel) (SOIC, TSSOP)  |   |
| Temperature Range: | E =<br>H =  | -40° C to +125° C<br>-40° C to +150° C   |   |
| Package:           | OTVAO =<br>MSVAO =<br>SNVAO =<br>SLVAO =<br>STVAO = | Plastic Small Outline Transistor (SOT-23),<br>5-lead, Automotive<br>Plastic MSOP, 8-lead, Automotive<br>Plastic SOIC, (3.90 mm body), 8-lead, Automotive<br>Plastic SOIC (3.90 mm body), 14-lead, Automotive<br>Plastic TSSOP (4.4 mm body), 14-lead, Automotive |   |
|                    |   |  | <b>Examples:</b>  |
|                    |   |  | a) MCP6291T-E/OTVAO: Extended Temp., Automotive, 5-Lead SOT-23 package, Tape and Reel |
|                    |   |  | a) MCP6292-E/SNVAO: Extended Temp., Automotive, 8-Lead SOIC package                   |
|                    |   |  | b) MCP6292T-E/MSVAO: Extended Temp., Automotive, 8-Lead MSOP package, Tape and Reel   |
|                    |   |  | c) MCP6292T-E/SNVAO: Extended Temp., Automotive, 8-Lead SOIC package, Tape and Reel   |
|                    |   |  | d) MCP6292-H/MSVAO: High Temp., Automotive, 8-Lead MSOP package                       |
|                    |   |  | e) MCP6292T-H/MSVAO: High Temp., Automotive, 8-Lead MSOP package, Tape and Reel       |
|                    |   |  | a) MCP6294-E/SLVAO: Extended Temp., Automotive, 14-Lead SOIC package                  |
|                    |   |  | b) MCP6294-E/STVAO: Extended Temp., Automotive, 14-Lead TSSOP package                 |
|                    |   |  | c) MCP6294T-E/SLVAO: Extended Temp., Automotive 14-Lead SOIC package, Tape and Reel   |
|                    |   |  | d) MCP6294T-E/STVAO: Extended Temp., Automotive, 14-Lead TSSOP package, Tape and Reel |



---

**Note the following details of the code protection feature on Microchip devices:**

- Microchip products meet the specification contained in their particular Microchip Data Sheet.
- Microchip believes that its family of products is one of the most secure families of its kind on the market today, when used in the intended manner and under normal conditions.
- There are dishonest and possibly illegal methods used to breach the code protection feature. All of these methods, to our knowledge, require using the Microchip products in a manner outside the operating specifications contained in Microchip's Data Sheets. Most likely, the person doing so is engaged in theft of intellectual property.
- Microchip is willing to work with the customer who is concerned about the integrity of their code.
- Neither Microchip nor any other semiconductor manufacturer can guarantee the security of their code. Code protection does not mean that we are guaranteeing the product as “unbreakable.”

Code protection is constantly evolving. We at Microchip are committed to continuously improving the code protection features of our products. Attempts to break Microchip's code protection feature may be a violation of the Digital Millennium Copyright Act. If such acts allow unauthorized access to your software or other copyrighted work, you may have a right to sue for relief under that Act.

---

Information contained in this publication regarding device applications and the like is provided only for your convenience and may be superseded by updates. It is your responsibility to ensure that your application meets with your specifications. MICROCHIP MAKES NO REPRESENTATIONS OR WARRANTIES OF ANY KIND WHETHER EXPRESS OR IMPLIED, WRITTEN OR ORAL, STATUTORY OR OTHERWISE, RELATED TO THE INFORMATION, INCLUDING BUT NOT LIMITED TO ITS CONDITION, QUALITY, PERFORMANCE, MERCHANTABILITY OR FITNESS FOR PURPOSE. Microchip disclaims all liability arising from this information and its use. Use of Microchip devices in life support and/or safety applications is entirely at the buyer's risk, and the buyer agrees to defend, indemnify and hold harmless Microchip from any and all damages, claims, suits, or expenses resulting from such use. No licenses are conveyed, implicitly or otherwise, under any Microchip intellectual property rights unless otherwise stated.

**Trademarks**

The Microchip name and logo, the Microchip logo, Adaptec, AnyRate, AVR, AVR logo, AVR Freaks, BesTime, BitCloud, chipKIT, chipKIT logo, CryptoMemory, CryptoRF, dsPIC, FlashFlex, flexPWR, HELDO, IGLoo, JukeBlox, KeeLoq, Klear, LANCheck, LinkMD, maXStylus, maXTouch, MediaLB, megaAVR, Microsemi, Microsemi logo, MOST, MOST logo, MPLAB, OptoLyzer, PackeTime, PIC, picoPower, PICSTART, PIC32 logo, PolarFire, Prochip Designer, QTouch, SAM-BA, SenGenuity, SpyNIC, SST, SST Logo, SuperFlash, Symmetricom, SyncServer, Tachyon, TempTracker, TimeSource, tinyAVR, UNI/O, Vectron, and XMEGA are registered trademarks of Microchip Technology Incorporated in the U.S.A. and other countries.

APT, ClockWorks, The Embedded Control Solutions Company, EtherSynch, FlashTec, Hyper Speed Control, HyperLight Load, IntelliMOS, Libero, motorBench, mTouch, Powermite 3, Precision Edge, ProASIC, ProASIC Plus, ProASIC Plus logo, Quiet-Wire, SmartFusion, SyncWorld, Temux, TimeCesium, TimeHub, TimePictra, TimeProvider, Vite, WinPath, and ZL are registered trademarks of Microchip Technology Incorporated in the U.S.A.

Adjacent Key Suppression, AKS, Analog-for-the-Digital Age, Any Capacitor, AnyIn, AnyOut, BlueSky, BodyCom, CodeGuard, CryptoAuthentication, CryptoAutomotive, CryptoCompanion, CryptoController, dsPICDEM, dsPICDEM.net, Dynamic Average Matching, DAM, ECAN, EtherGREEN, In-Circuit Serial Programming, ICSP, INICnet, Inter-Chip Connectivity, JitterBlocker, KlearNet, KlearNet logo, memBrain, Mindi, MiWi, MPASM, MPF, MPLAB Certified logo, MPLIB, MPLINK, MultiTRAK, NetDetach, Omniscient Code Generation, PICDEM, PICDEM.net, PICkit, PICtail, PowerSmart, PureSilicon, QMatrix, REAL ICE, Ripple Blocker, SAM-ICE, Serial Quad I/O, SMART-I.S., SQI, SuperSwitcher, SuperSwitcher II, Total Endurance, TSHARC, USBCheck, VariSense, ViewSpan, WiperLock, Wireless DNA, and ZENA are trademarks of Microchip Technology Incorporated in the U.S.A. and other countries.

SQTP is a service mark of Microchip Technology Incorporated in the U.S.A.

The Adaptec logo, Frequency on Demand, Silicon Storage Technology, and Symmcom are registered trademarks of Microchip Technology Inc. in other countries.

GestIC is a registered trademark of Microchip Technology Germany II GmbH & Co. KG, a subsidiary of Microchip Technology Inc., in other countries.

All other trademarks mentioned herein are property of their respective companies.

© 2003-2020, Microchip Technology Incorporated, All Rights Reserved.

ISBN: 978-1-5224-5844-9

For information regarding Microchip's Quality Management Systems, please visit [www.microchip.com/quality](http://www.microchip.com/quality).



# MICROCHIP

## Worldwide Sales and Service

### AMERICAS

**Corporate Office**  
2355 West Chandler Blvd.  
Chandler, AZ 85224-6199  
Tel: 480-792-7200  
Fax: 480-792-7277  
Technical Support:  
<http://www.microchip.com/support>  
Web Address:  
[www.microchip.com](http://www.microchip.com)

#### Atlanta

Duluth, GA  
Tel: 678-957-9614  
Fax: 678-957-1455

#### Austin, TX

Tel: 512-257-3370

#### Boston

Westborough, MA  
Tel: 774-760-0087  
Fax: 774-760-0088

#### Chicago

Itasca, IL  
Tel: 630-285-0071  
Fax: 630-285-0075

#### Dallas

Addison, TX  
Tel: 972-818-7423  
Fax: 972-818-2924

#### Detroit

Novi, MI  
Tel: 248-848-4000

#### Houston, TX

Tel: 281-894-5983

#### Indianapolis

Noblesville, IN  
Tel: 317-773-8323  
Fax: 317-773-5453  
Tel: 317-536-2380

#### Los Angeles

Mission Viejo, CA  
Tel: 949-462-9523  
Fax: 949-462-9608  
Tel: 951-273-7800

#### Raleigh, NC

Tel: 919-844-7510

#### New York, NY

Tel: 631-435-6000

#### San Jose, CA

Tel: 408-735-9110  
Tel: 408-436-4270

#### Canada - Toronto

Tel: 905-695-1980  
Fax: 905-695-2078

### ASIA/PACIFIC

**Australia - Sydney**  
Tel: 61-2-9868-6733

**China - Beijing**  
Tel: 86-10-8569-7000

**China - Chengdu**  
Tel: 86-28-8665-5511

**China - Chongqing**  
Tel: 86-23-8980-9588

**China - Dongguan**  
Tel: 86-769-8702-9880

**China - Guangzhou**  
Tel: 86-20-8755-8029

**China - Hangzhou**  
Tel: 86-571-8792-8115

**China - Hong Kong SAR**  
Tel: 852-2943-5100

**China - Nanjing**  
Tel: 86-25-8473-2460

**China - Qingdao**  
Tel: 86-532-8502-7355

**China - Shanghai**  
Tel: 86-21-3326-8000

**China - Shenyang**  
Tel: 86-24-2334-2829

**China - Shenzhen**  
Tel: 86-755-8864-2200

**China - Suzhou**  
Tel: 86-186-6233-1526

**China - Wuhan**  
Tel: 86-27-5980-5300

**China - Xian**  
Tel: 86-29-8833-7252

**China - Xiamen**  
Tel: 86-592-2388138

**China - Zhuhai**  
Tel: 86-756-3210040

### ASIA/PACIFIC

**India - Bangalore**  
Tel: 91-80-3090-4444

**India - New Delhi**  
Tel: 91-11-4160-8631

**India - Pune**  
Tel: 91-20-4121-0141

**Japan - Osaka**  
Tel: 81-6-6152-7160

**Japan - Tokyo**  
Tel: 81-3-6880-3770

**Korea - Daegu**  
Tel: 82-53-744-4301

**Korea - Seoul**  
Tel: 82-2-554-7200

**Malaysia - Kuala Lumpur**  
Tel: 60-3-7651-7906

**Malaysia - Penang**  
Tel: 60-4-227-8870

**Philippines - Manila**  
Tel: 63-2-634-9065

**Singapore**  
Tel: 65-6334-8870

**Taiwan - Hsin Chu**  
Tel: 886-3-577-8366

**Taiwan - Kaohsiung**  
Tel: 886-7-213-7830

**Taiwan - Taipei**  
Tel: 886-2-2508-8600

**Thailand - Bangkok**  
Tel: 66-2-694-1351

**Vietnam - Ho Chi Minh**  
Tel: 84-28-5448-2100

### EUROPE

**Austria - Wels**  
Tel: 43-7242-2244-39  
Fax: 43-7242-2244-393

**Denmark - Copenhagen**  
Tel: 45-4485-5910  
Fax: 45-4485-2829

**Finland - Espoo**  
Tel: 358-9-4520-820

**France - Paris**  
Tel: 33-1-69-53-63-20  
Fax: 33-1-69-30-90-79

**Germany - Garching**  
Tel: 49-8931-9700

**Germany - Haan**  
Tel: 49-2129-3766400

**Germany - Heilbronn**  
Tel: 49-7131-72400

**Germany - Karlsruhe**  
Tel: 49-721-625370

**Germany - Munich**  
Tel: 49-89-627-144-0  
Fax: 49-89-627-144-44

**Germany - Rosenheim**  
Tel: 49-8031-354-560

**Israel - Ra'anana**  
Tel: 972-9-744-7705

**Italy - Milan**  
Tel: 39-0331-742611  
Fax: 39-0331-466781

**Italy - Padova**  
Tel: 39-049-7625286

**Netherlands - Drunen**  
Tel: 31-416-690399  
Fax: 31-416-690340

**Norway - Trondheim**  
Tel: 47-7288-4388

**Poland - Warsaw**  
Tel: 48-22-3325737

**Romania - Bucharest**  
Tel: 40-21-407-87-50

**Spain - Madrid**  
Tel: 34-91-708-08-90  
Fax: 34-91-708-08-91

**Sweden - Gothenberg**  
Tel: 46-31-704-60-40

**Sweden - Stockholm**  
Tel: 46-8-5090-4654

**UK - Wokingham**  
Tel: 44-118-921-5800  
Fax: 44-118-921-5820

# Mouser Electronics

Authorized Distributor

Click to View Pricing, Inventory, Delivery & Lifecycle Information:

## Microchip:

[MCP6295-E/MS](#) [MCP6295-E/SN](#) [MCP6294-E/SL](#) [MCP6294-E/ST](#) [MCP6295-E/P](#) [MCP6291-E/P](#) [MCP6291-E/SN](#)  
[MCP6291-E/MS](#) [MCP6294-E/P](#) [MCP6292-E/P](#) [MCP6292-E/MS](#) [MCP6292-E/SN](#) [MCP6295T-E/SN](#) [MCP6291T-E/SN](#)  
[MCP6292T-E/MS](#) [MCP6292T-E/SN](#) [MCP6294T-E/SL](#) [MCP6291T-E/MS](#) [MCP6291RT-E/OT](#) [MCP6291T-E/OT](#)  
[MCP6292-E/SNVAO](#) [MCP6291T-E/OTVAO](#) [MCP6292T-E/MSVAO](#) [MCP6292T-E/SNVAO](#) [MCP6294-E/SLVAO](#)  
[MCP6294-E/STVAO](#) [MCP6294T-E/SLVAO](#) [MCP6294T-E/STVAO](#) [MCP6292-H/MS](#) [MCP6292T-H/MS](#)