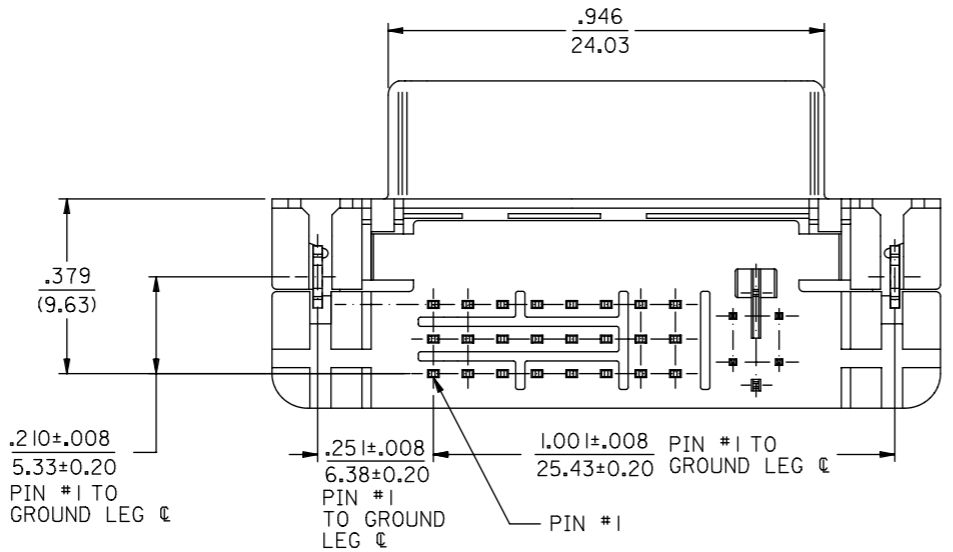
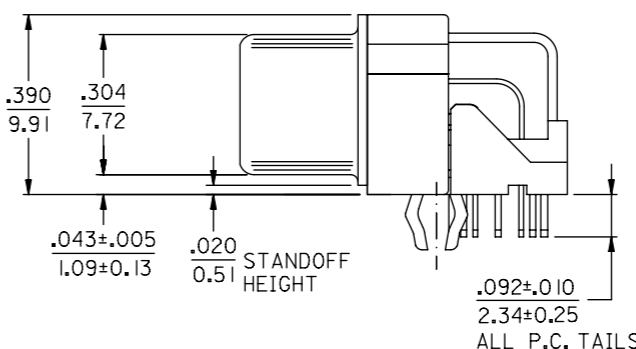
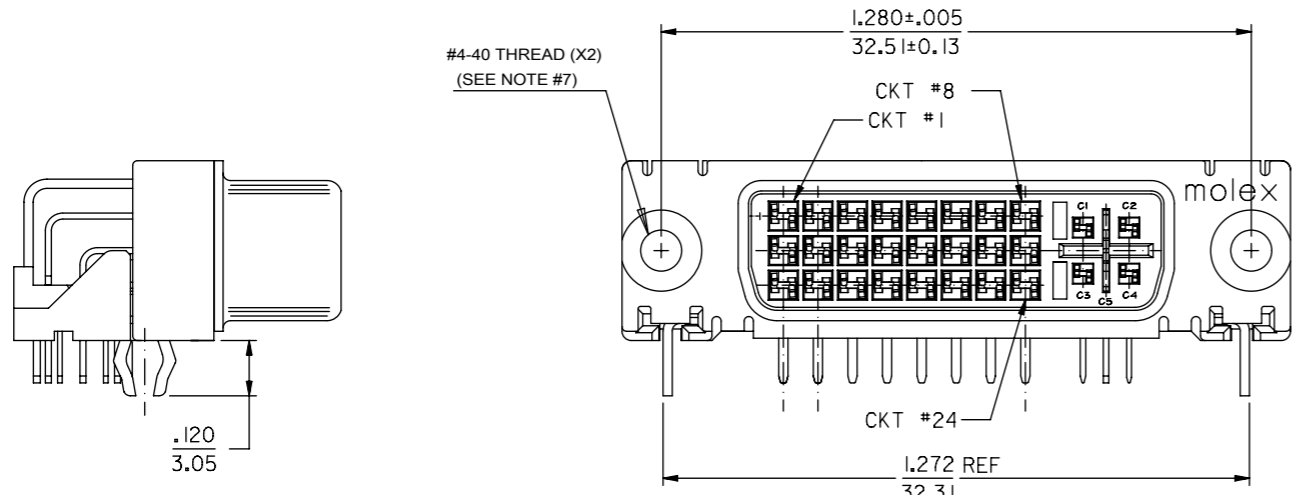


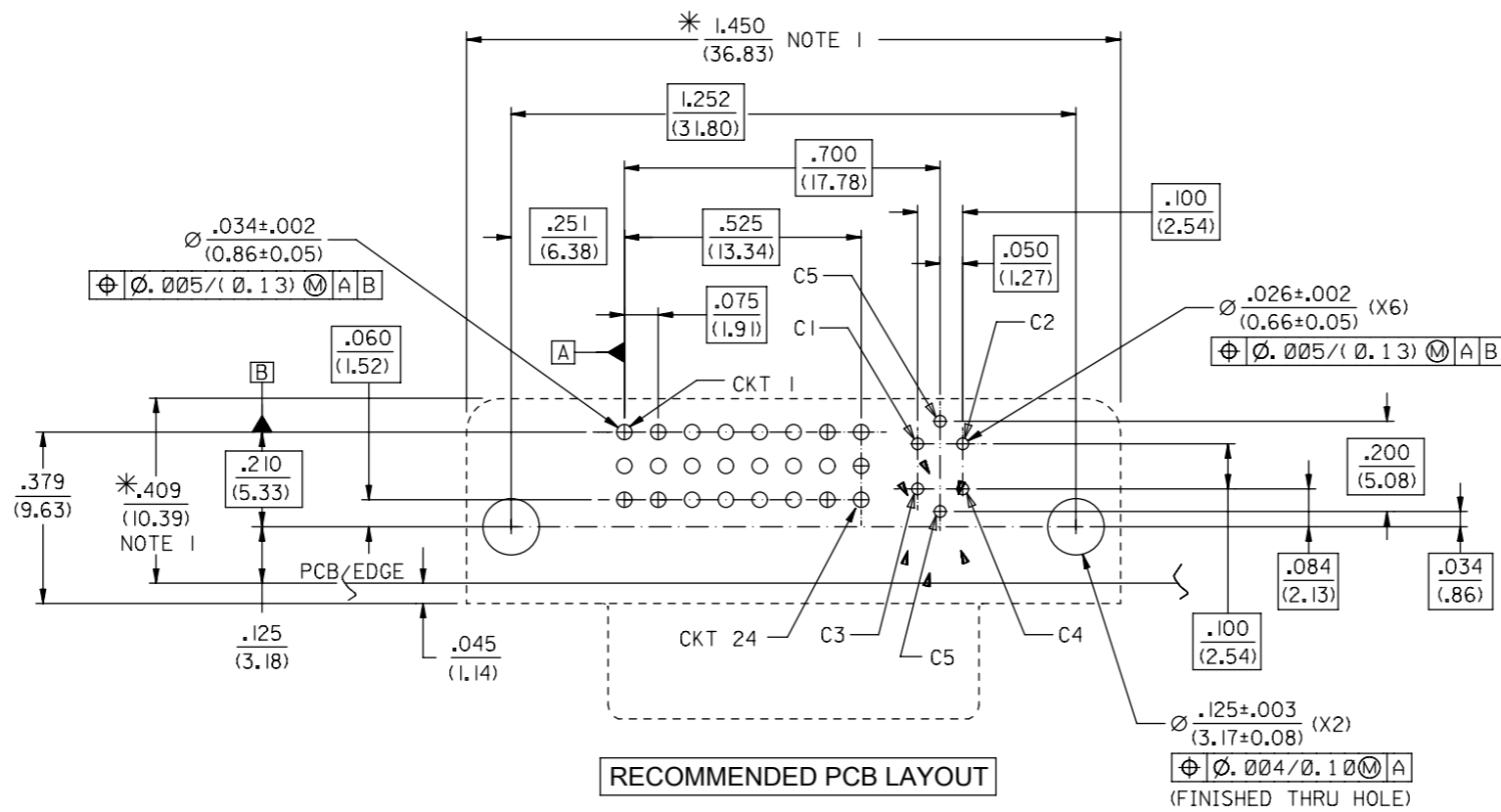
- NOTES:
1. MATERIAL:
SHIELD: DEEP DRAW STEEL;
HOUSING: LCP, UL94V-0, NATURAL (WHITE);
TAIL ALIGNER: LCP, UL94V-0, NATURAL (WHITE);
CONTACT: COPPER ALLOY.
 2. PLATING: SEE SHEET 2.
 3. PRODUCT CONFORMS TO MOLEX PRODUCT SPECIFICATION NUMBER PS-74320-001.
 4. SEE SHEET 2 FOR RECOMMENDED PANEL CUT-OUT AND P.C.B. LAYOUT.
 5. PARTS WILL BE PACKAGED IN TRAYS PER PK-74320-010.
 6. PRODUCT CONFORMS TO DDWG DVI SPECIFICATION. REFER TO THIS SPECIFICATION FOR CONNECTOR MATING DIMENSIONS.
 7. RECOMMENDED MOUNTING HARDWARE IS MOLEX P/N 71781-0001 OR 82007-0300 OR 88780-6066. REFER TO PRODUCT SPECIFICATION NUMBER PS-74320-001 FOR THIS APPLICATION TORQUE REQUIREMENT FOR ASSMBLING MOUNTING HARDWARE.
- ⚠ CAVITY ID AND MANUFACTURING PLANT CODE.



74320-9010	1
PART NUMBER	PLATING OPTION

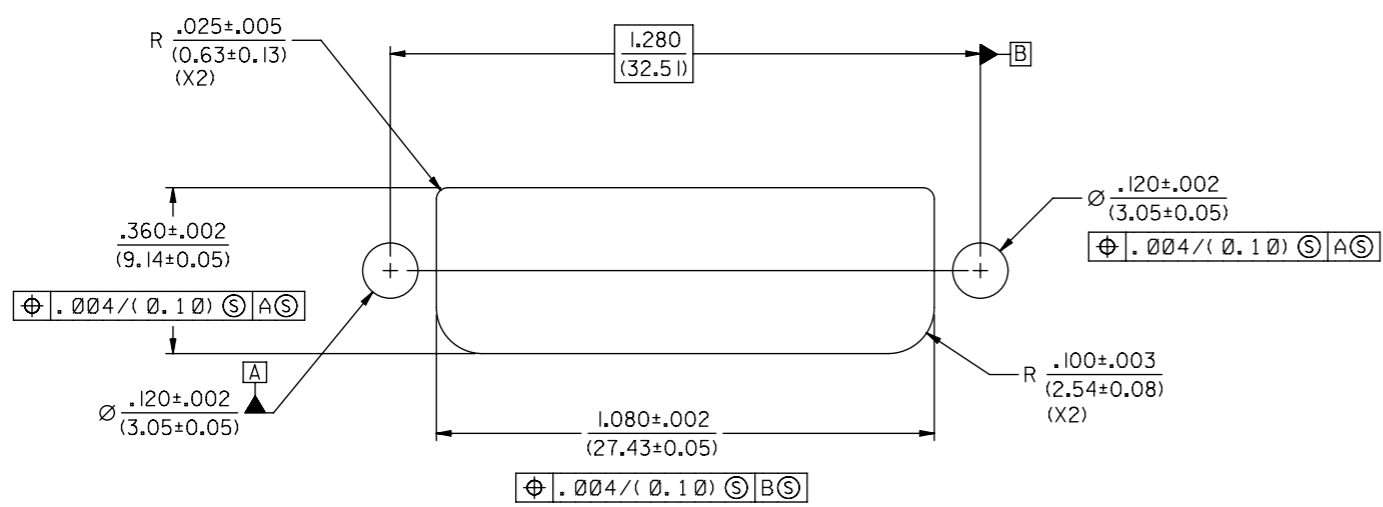
THIS DRAWING CONTAINS INFORMATION THAT IS PROPRIETARY TO MOLEX ELECTRONIC TECHNOLOGIES, LLC AND SHOULD NOT BE USED WITHOUT WRITTEN PERMISSION		CURRENT REV DESC: OBSOLETE PART NUMBER		molex		
DIMENSION UNITS	SCALE					
INCH	1:1			DVI-I RIGHT ANGLE RECEPTACLE CONNECTOR, W/FORKLOCK		
GENERAL TOLERANCES (UNLESS SPECIFIED)				PRODUCT CUSTOMER DRAWING		
ANGULAR TOL	± 1.0°			DOCUMENT NUMBER		
4 PLACES	± 0.01	EC NO: 655037		SD-74320-026		
3 PLACES	± 0.01	DRWN: VLOKESHA 2020/12/18		DOC TYPE DOC PART REVISION		
2 PLACES	± 0.01	CHK'D: GGA 2021/03/16		PSD 000 F1		
1 PLACE	±	APPR: GGA 2021/03/16				
0 PLACES	±	INITIAL REVISION:				
DRAFT WHERE APPLICABLE MUST REMAIN WITHIN DIMENSIONS		THIRD ANGLE PROJECTION	DRAWING	SERIES	MATERIAL NUMBER	CUSTOMER
			A3-SIZE	74320	SEE TABLE	GENERAL MARKET
						SHEET NUMBER
						1 OF 2

DOCUMENT STATUS	P1	RELEASE DATE	2021/03/16	13:02:19
-----------------	----	--------------	------------	----------



RECOMMENDED PCB LAYOUT

COMPONENT SIDE OF PCB SHOWN
 * THESE DIMENSIONS REPRESENT CONNECTOR OVERLAY ON PCB.



RECOMMENDED PANEL CUT-OUT
 PANEL THICKNESS: .030"-.040"

PLATING OPTIONS:

PLATING OPTION #1:

OUT SHIELD -- 60u" (1.5um) MIN. SOLDERABLE NICKEL OVER
 30u" (0.75um) MIN. COPPER OVERALL.
 .075" (1.91mm) CONTACTS -- 30u" (0.75um) MIN. SELECT GOLD AND
 100u" (2.50um) MIN. SELECT PURE TIN
 OVER 50u" (1.27um) MIN. NICKEL OVERALL.

PLATING OPTION #2:

OUT SHIELD -- 60u" (1.5um) MIN. SOLDERABLE NICKEL OVER
 30u" (0.75um) MIN. COPPER OVERALL.
 .075" (1.91mm) CONTACTS -- SELECT GOLD FLASH AND
 100u" (2.50um) MIN. SELECT PURE TIN
 OVER 50u" (1.27um) MIN. NICKEL OVERALL.

THIS DRAWING CONTAINS INFORMATION THAT IS PROPRIETARY TO MOLEX ELECTRONIC TECHNOLOGIES, LLC AND SHOULD NOT BE USED WITHOUT WRITTEN PERMISSION		CURRENT REV DESC: OBSOLETE PART NUMBER		molex	
DIMENSION UNITS	SCALE				
INCH	1:1			DVI-I RIGHT ANGLE RECEPTACLE CONNECTOR, W/FORKLOCK	
GENERAL TOLERANCES (UNLESS SPECIFIED)				PRODUCT CUSTOMER DRAWING	
ANGULAR TOL	± 1.0 °			DOCUMENT NUMBER	
4 PLACES	± 0.01	EC NO: 655037		SD-74320-026	
3 PLACES	± 0.01	DRWN: VLOKESHA 2020/12/18		DOC TYPE	
2 PLACES	± 0.01	CHK'D: GGA 2021/03/16		DOC PART	
1 PLACE	±	APPR: GGA 2021/03/16		REVISION	
0 PLACES	±	INITIAL REVISION:		F1	
DRAFT WHERE APPLICABLE MUST REMAIN WITHIN DIMENSIONS		THIRD ANGLE PROJECTION	DRAWING	SERIES	MATERIAL NUMBER
			A3-SIZE	74320	SEE TABLE
					CUSTOMER
					GENERAL MARKET
					SHEET NUMBER
					2 OF 2