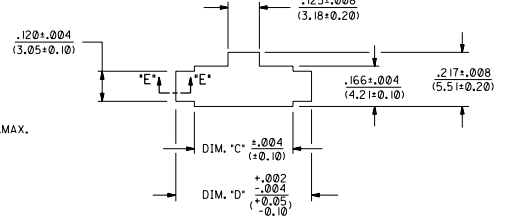
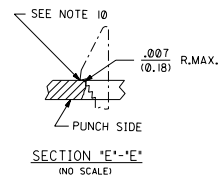
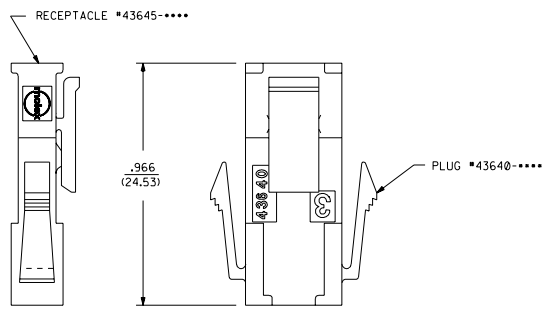
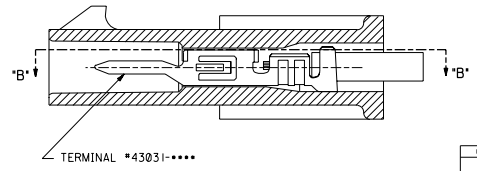
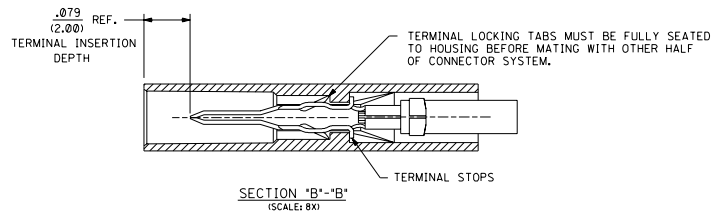
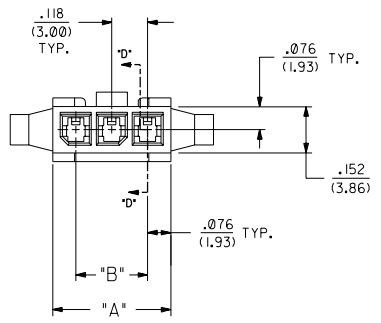
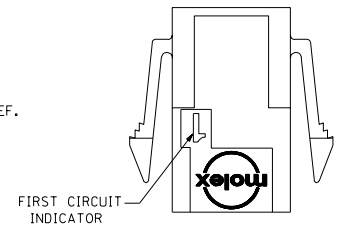
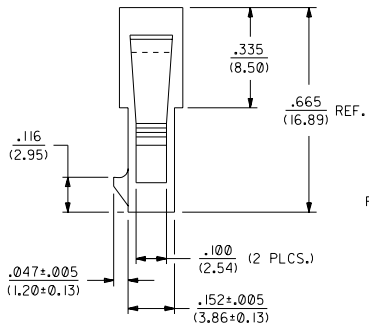
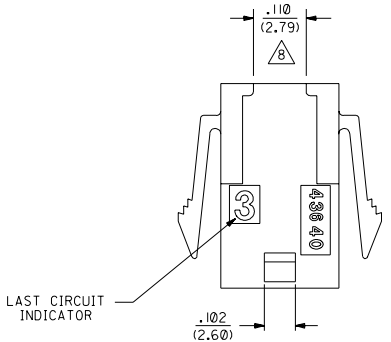
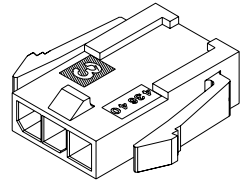


X-CONTACT FACTORY	ASSEMBLY ITEM NUMBER	PART CHARACTERISTICS	
		NUMBER OF POSITION	
	43640-0200	02	
	43640-0300	03	
	43640-0400	04	
	43640-0500	05	
	43640-0600	06	
	43640-0700	07	
	43640-0800	08	
	43640-0900	09	
	43640-1000	10	
	43640-1100	11	
	43640-1200	12	

CKT. NO.	DIM. "A"	DIM. "B"	DIM. "C"	DIM. "D"
2	.270/(6.85)	.118/(3.00)	.284/(7.21)	.429/(10.90)
3	.388/(9.85)	.236/(6.00)	.402/(10.21)	.547/(13.89)
4	.506/(12.85)	.354/(9.00)	.520/(13.21)	.665/(16.89)
5	.624/(15.85)	.472/(12.00)	.638/(16.21)	.783/(19.89)
6	.742/(18.85)	.591/(15.00)	.756/(19.21)	.901/(22.89)
7	.860/(21.85)	.709/(18.00)	.874/(22.20)	1.019/(25.88)
8	.978/(24.85)	.827/(21.00)	.992/(25.20)	1.137/(28.88)
9	1.096/(27.85)	.945/(24.00)	1.110/(28.20)	1.255/(31.88)
10	1.215/(30.85)	1.063/(27.00)	1.229/(31.22)	1.373/(34.87)
11	1.333/(33.85)	1.181/(30.00)	1.347/(34.22)	1.491/(37.87)
12	1.451/(36.85)	1.299/(33.00)	1.465/(37.22)	1.609/(40.87)



- NOTES:
- HOUSING MATERIAL: UNFILLED POLYESTER, RATED U.L. 94V-0, COLOR IS BLACK.
  - THIS HOUSING MATES WITH MICRO-FIT RECEPTACLE #43645-\*\*\*\*.
  - THIS HOUSING IS DESIGNED IN METRIC.
  - THIS HOUSING TO BE USED WITH MOLEX MALE TERMINAL #43031-\*\*\*\*.
  - PLUG DESIGNED FOR .062/(1.57) TO .090/(2.3) THICK STAMPED PANEL OR P.C.BOARD.
  - SEE SECTION "D"-"D" FOR TERMINAL ORIENTATION IN HOUSING.
  - ALL CONNECTORS MUST MEET THE PERFORMANCE REQUIREMENTS OF MOLEX PRODUCT SPECIFICATION #PS-43650.
  - THIS DIMENSION APPLIES TO PLUG CKT. SIZES 3 THRU 12 ONLY.
  - SEE SHEET 2 FOR PLUG WITHOUT PANEL MOUNTS.
  - PANEL MOUNT FEATURES MUST LOCK ON SIDE OPPOSITE PUNCH SIDE FOR OPTIMUM RETENTION.



MATED MICRO-FIT CONNECTOR

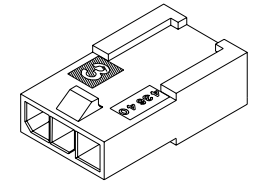
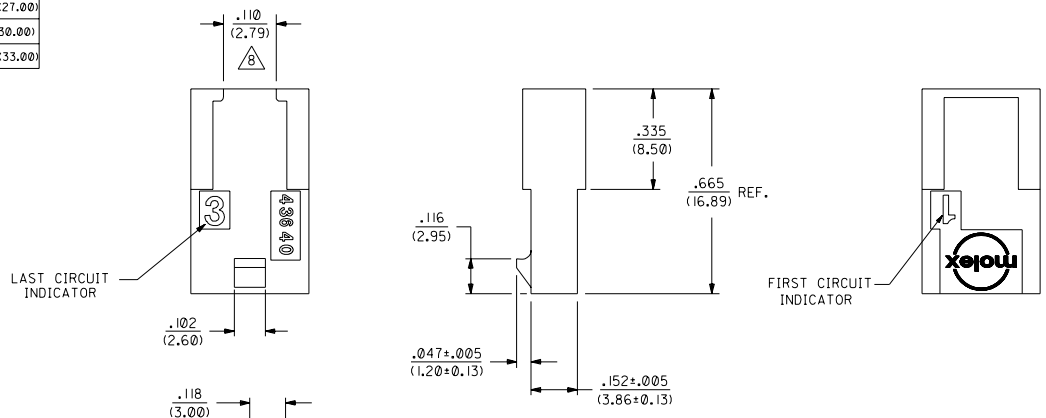
2	E	REV. 110 WAS .174
1	E	LCP 2003-1494
		03/01/08 MUELLER
MFG	SH	REV.
	LTR	REVISIONS
REV. = 0	DATE	REVISE ONLY ON CAD SYSTEM
TITLE		
MICRO FIT (3.0)		
SINGLE ROW PLUG WITH		
PANEL MOUNT OPTION		
MOLEX INCORPORATED		SHEET NO. DATE
1700 SOUTH GARDEN AVENUE		1 OF 2 96/01/19
LITELAND, OR 97137		USA
PART NO. 43640		CP D
SEE CHART		SD-43640-****
DRG. AFG	CHKD. BAP	FILE NO.
APP'D. RJF	SCALE 4:1	NO DIMENSIONS SHOWN UNLESS OTHERWISE SPECIFIED
		UNLESS OTHERWISE SPECIFIED
		ALL DIMENSIONS ARE IN MILLIMETERS
		UNLESS OTHERWISE SPECIFIED
		ALL DIMENSIONS ARE IN MILLIMETERS
		UNLESS OTHERWISE SPECIFIED
		ALL DIMENSIONS ARE IN MILLIMETERS

X-CONTACT FACTORY	ASSEMBLY ITEM NUMBER	PART CHARACTERISTICS NUMBER OF POSITION
	43640-0201	02
	43640-0301	03
	43640-0401	04
	43640-0501	05
	43640-0601	06
X	43640-0701	07
X	43640-0801	08
X	43640-0901	09
X	43640-1001	10
X	43640-1101	11
X	43640-1201	12

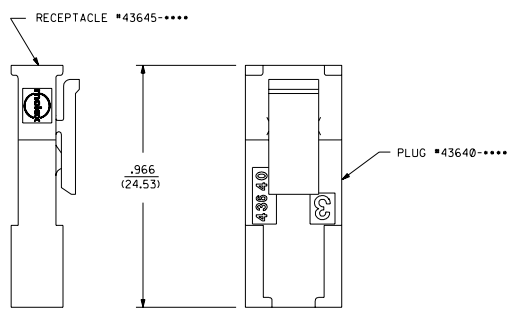
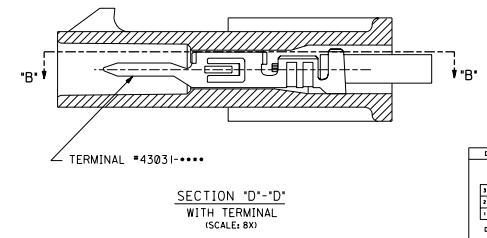
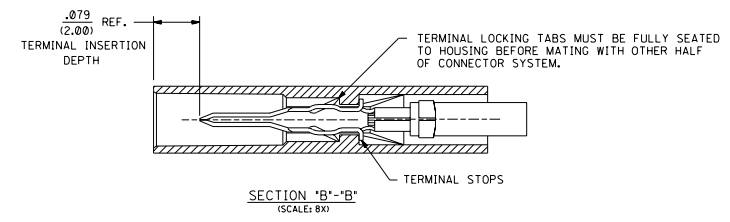
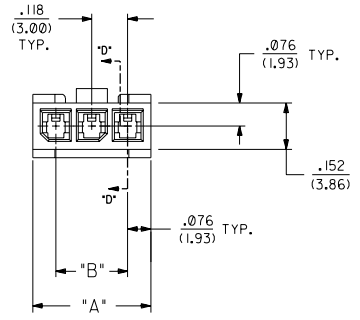
CKT. NO.	DIM. "A"	DIM. "B"
2	.270/(16.85)	.118/(3.00)
3	.388/(19.85)	.236/(6.00)
4	.506/(12.85)	.354/(9.00)
5	.624/(15.85)	.472/(12.00)
6	.742/(18.85)	.591/(15.00)
7	.860/(21.85)	.709/(18.00)
8	.978/(24.85)	.827/(21.00)
9	1.096/(27.85)	.945/(24.00)
10	1.215/(30.85)	1.063/(27.00)
11	1.333/(33.85)	1.181/(30.00)
12	1.451/(36.85)	1.299/(33.00)

**NOTES:**

- HOUSING MATERIAL: UNFILLED POLYESTER, RATED U.L. 94V-0, COLOR IS BLACK.
- THIS HOUSING MATES WITH MICRO-FIT RECEPTACLE #43645-\*\*\*\*.
- THIS HOUSING IS DESIGNED IN METRIC.
- THIS HOUSING TO BE USED WITH MOLEX MALE TERMINAL #43031-\*\*\*\*.
- PLUG HAS BEEN DESIGNED FOR .062/(1.57) TO .090/(2.3) THICK P.C. BOARDS.
- SEE SECTION "D"-D' FOR TERMINAL ORIENTATION IN HOUSING.
- ALL CONNECTORS MUST MEET THE PERFORMANCE REQUIREMENTS OF MOLEX PRODUCT SPECIFICATION \*PS-43650.
- THIS DIMENSION APPLIES TO PLUG CKT. SIZES 3 THRU 12 ONLY.
- SEE SHEET 1 FOR PLUG WITH PANEL MOUNTS.



PLUG WITHOUT PANEL MOUNTS  
ISO VIEW



MATED MICRO-FIT CONNECTOR

DIMENSIONS SHOWN METRIC INCH UNLESS OTHERWISE SPECIFIED TOLERANCES UNLESS NOTED		MFG. SH. REV. LTR. REVISIONS	
TITLE: MICRO FIT (3.0) SINGLE ROW PLUG WITHOUT PANEL MOUNT OPTION		REVISE ONLY ON CAD SYSTEM	
MATERIAL: MOLEX INCORPORATED 68032		SHEET NO. 2 DATE 196/01/19	
PART NO. SD-43640-****		DRAWN BY: BAP	
SPEC. AFG		SCALE 4:1	
APP. RJF		CHECKED BY: BAP	
DATE 5/24/82		MATERIAL: MOLEX INC. 68032	