

Series 15104

Edge Connectors – 1 Sided Boards / Right Angle Mount

SPECIFICATIONS

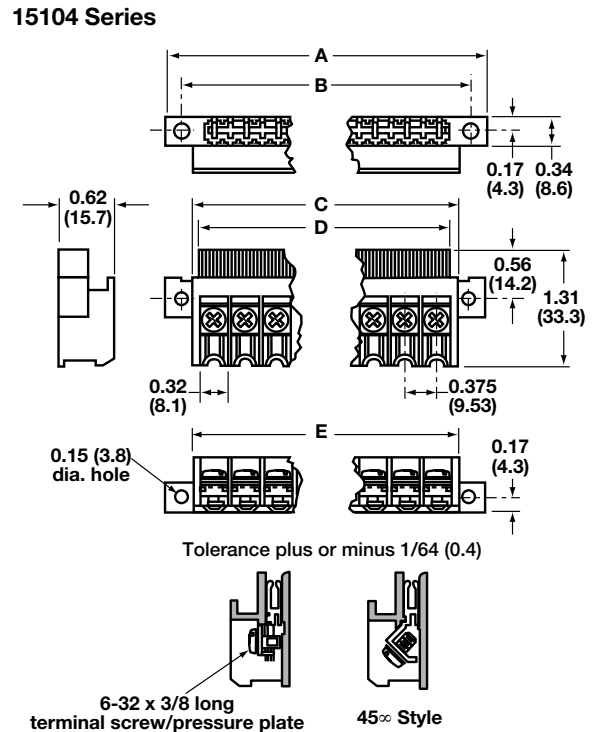
- Rating:** 10A, 300V
- Center Spacing:** 0.375" or 3/8" (9.52mm)
- Wire Range:** #12-22 AWG Cu
- Number of Poles:** 6- to 28-poles
- Screw Size:** #6-32
- Torque Rating:** 12 lb-in
- Terminals:** Pressure plate terminals with screws set at 45° or 90° angle
- PC Board:** Edge contact accepts standard 1/6" (0.0625) PCB
- Contacts:** Tuning fork design of 0.021" thick phosphorus bronze with 0.0001" bright tin-plating
- Material:** Black, UL Rated 94V0 Thermoplastic
- Operating Temperature:** 95°C max.
- Agency Information:** UL File E62622, CSA File 47235



Poles	A	B	C	D	E	Board Width
06	3.00	2.62	2.00	2.16	2.36	1.99
08	3.75	3.37	2.75	2.91	3.11	2.74
10	4.50	4.12	3.50	3.66	3.86	3.49
12	5.25	4.87	4.25	4.41	4.61	4.24
14	6.00	5.62	5.00	5.16	5.36	4.99
16	6.75	6.37	5.75	5.91	6.11	5.74
18	7.50	7.12	6.50	6.66	6.86	6.49
20	8.25	7.87	7.25	7.41	7.61	7.23
22	9.00	8.62	8.00	8.16	8.36	7.98
24	9.75	9.37	8.75	8.91	9.11	8.73
26	10.50	10.12	9.50	9.66	9.86	9.48
28	11.25	10.87	10.25	10.41	10.61	10.23

* Dimensions in inches. To convert to millimeters, multiply by 25.4.
Integral standoffs for mounting marker strips - consult factory.

Dimensions - in (mm)



Part Numbering System

Series	Poles	Terminal	Plating	Screw
15104	06 to 28 (Increments of 2)	1 - 90° angle 2 - 45° angle	T - Tin G - Gold*	1 - #6-32 pan head. w/wire clamp

* Consult Factory

Terminal Blocks: Single Row

EuroMag Series

Edge Connectors, One-Sided Boards

Compliance References

Mouser Electronics

Authorized Distributor

Click to View Pricing, Inventory, Delivery & Lifecycle Information:

Eaton:

[15104-182T1](#) [15104-062T1](#) [15104-082T1](#) [15104-101T1-M1](#) [15104-102T1](#) [15104-121T1](#) [15104-122T1](#) [15104-262G1](#) [15104-121T1-GA](#) [15104-242G1](#) [15104-182G1](#) [15104-201T1](#) [15104-262T1](#) [15104-202T1](#) [15104-242T1](#) [15104-261T1](#) [15104-141T1](#) [15104-142T1](#) [15104-161T1](#) [15104-161T1-GA](#) [15104-162T1](#) [15104-181T1](#) [15104-06S2555](#) [15104-082TS2664](#)