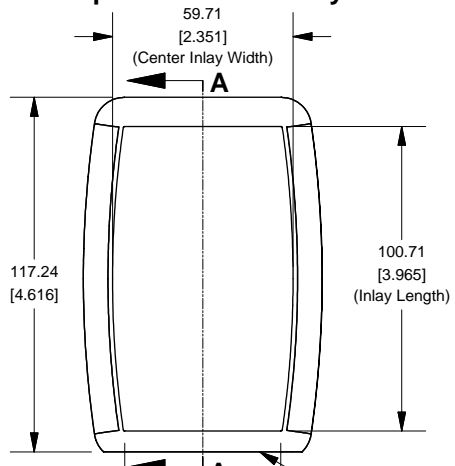
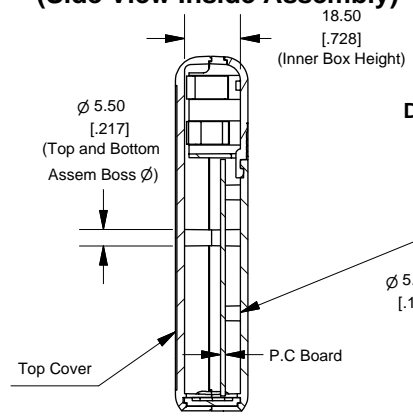


Battery Series (1553B)

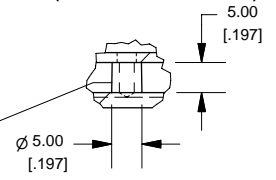
Top View of Assembly



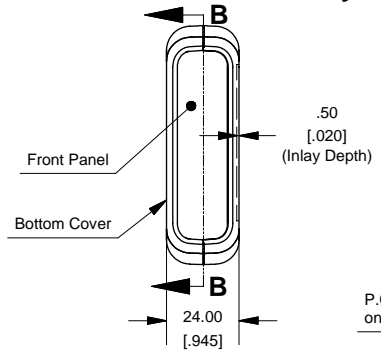
SECTION A-A (Side View Inside Assembly)



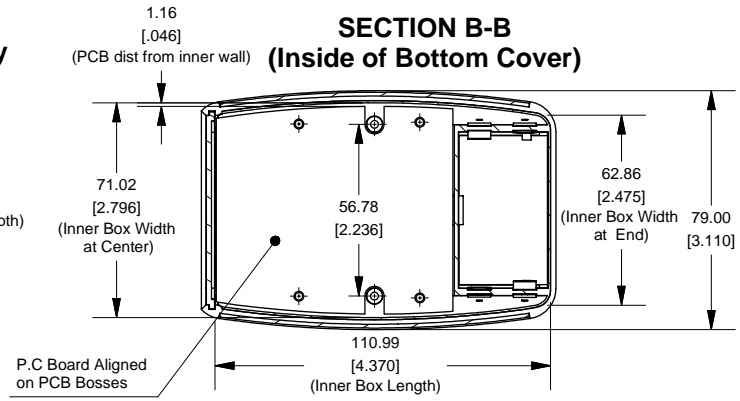
Detail View of PCB Boss (Located on Bottom Cover)



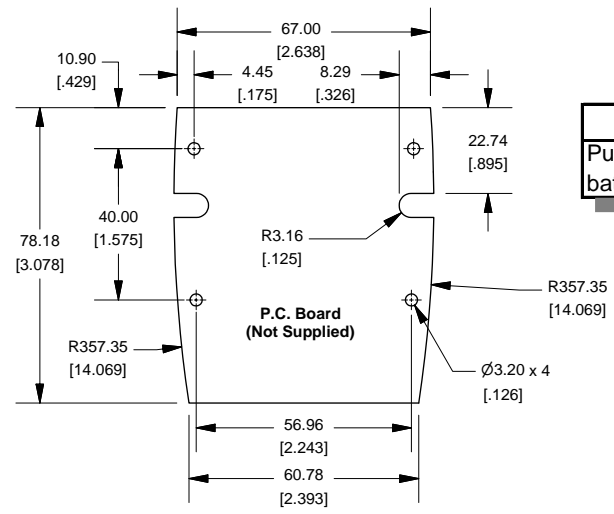
End View of Assembly



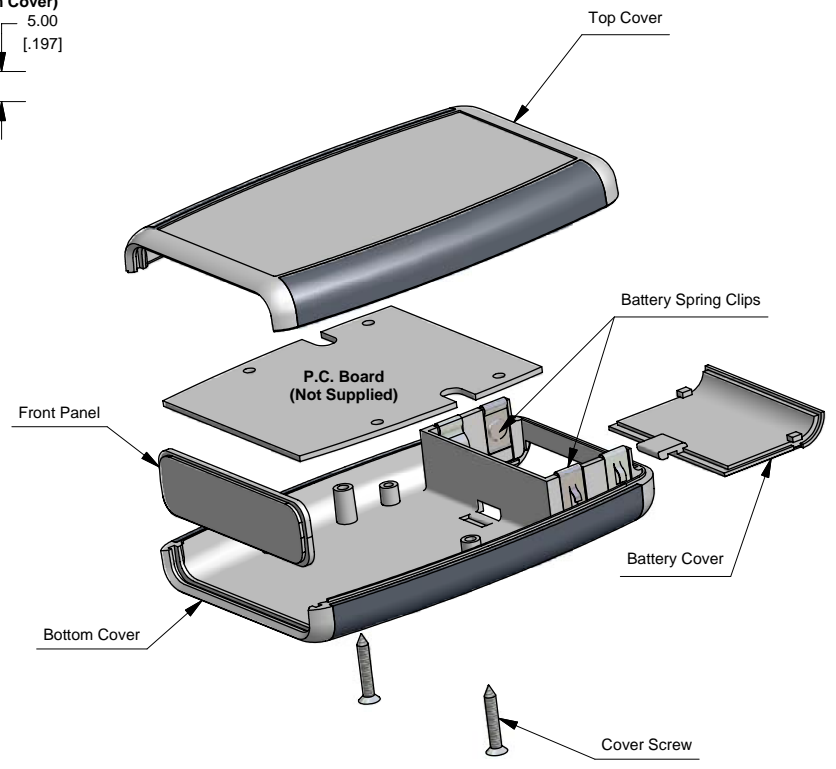
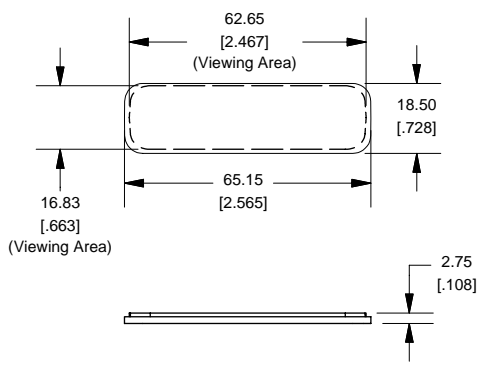
SECTION B-B (Inside of Bottom Cover)



Maximum P.C. Board Size



Front/Rear Panel (Dashed Line Indicates Viewing Area)



NOTE
Purchased assembly includes top and bottom cover, front plastic panel, battery door, battery spring clips, 9V adapter and 2 cover screws.



www.hammondmfg.com