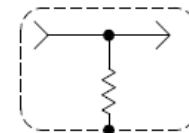
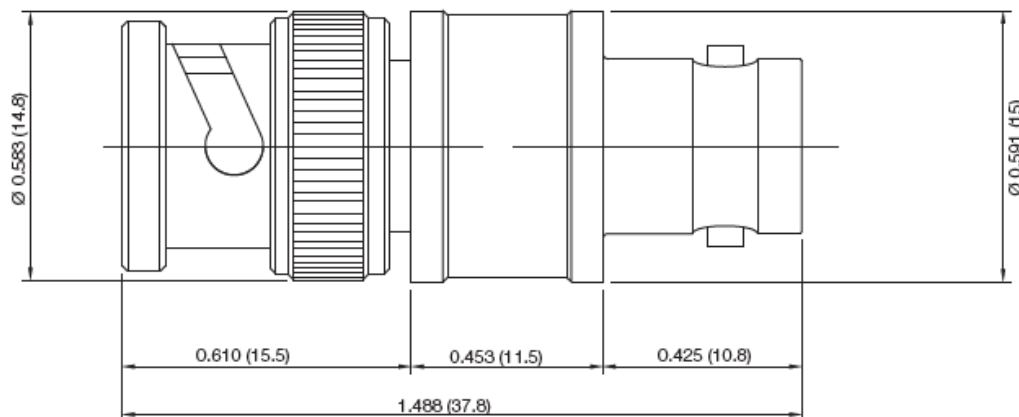


Model 4119
BNC Feed-Thru Termination



SCHEMATIC

Model No.	* Resistance Value Ω
4119-50	50
4119-75	75
4119-600	600

* drawing dimensions apply to the 50 Ω and 75 Ω versions only
 * 4119-600 overall length is 2.09" (53.1mm), diameter of 0.57" (14.5mm)

Materials

Body and Fittings: Brass, Alloy 360, 1/2 Hard
 Center Contact: Male – Brass, Alloy 360, 1/2 Hard
 Outer Shell: Nickel plated Brass
 Female – Beryllium Copper per Cond. Ht.
 Outer Contact: Beryllium Contact, Cond. Ht.
 Dielectric: PTFE
 Gasket/Seals: Silicone Rubber per ZZ-R-765, Class 11a, Grade 50
 Finish: Body and Fittings: Tarnish Resistant
 Center Contact: Male – Gold Plated
 Outer Contact: Tarnish Resistant
 Marking: "Pomona Elect. 4119-*" (resistance value marked on label)
 Specifications: 2%, 2 Watt, Carbon-film resistor deposited over Ceramic Core
 VSWR: 1.1 Max. from DC to 250 MHz
 1.2 Max. from 250 MHz to 500 MHz

Ratings

Operating Temperature: +102°C (+216°F) Max.

Ordering Information

Model: 4119-
 * = Resistance Value (see table above)

USA: Sales: 800-490-2361
 Technical Support: technicalsupport@pomonatest.com
 Fax: 425-446-5844
Europe: 31-(0) 40 2675 150 **International:** 425-446-5500
Where to Buy: www.pomonaelectronics.com

All dimensions are in inches. Tolerances (except noted): .xx = ± 0.02 " (.51 mm), .xxx = ± 0.005 " (.127 mm). All specifications are to the latest revisions. Specifications are subject to change without notice. Registered trademarks are the property of their respective companies.

Mouser Electronics

Authorized Distributor

Click to View Pricing, Inventory, Delivery & Lifecycle Information:

[Pomona:](#)

[4119-50](#)