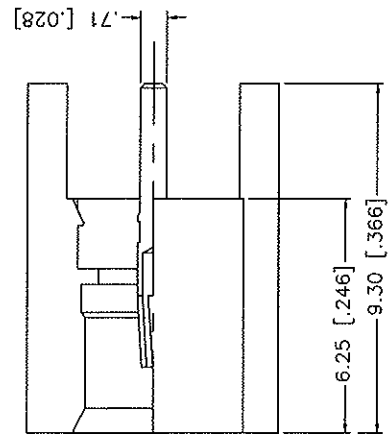
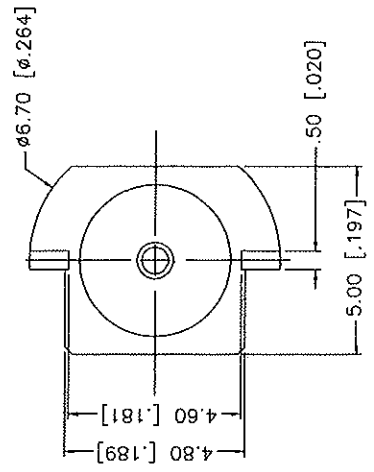
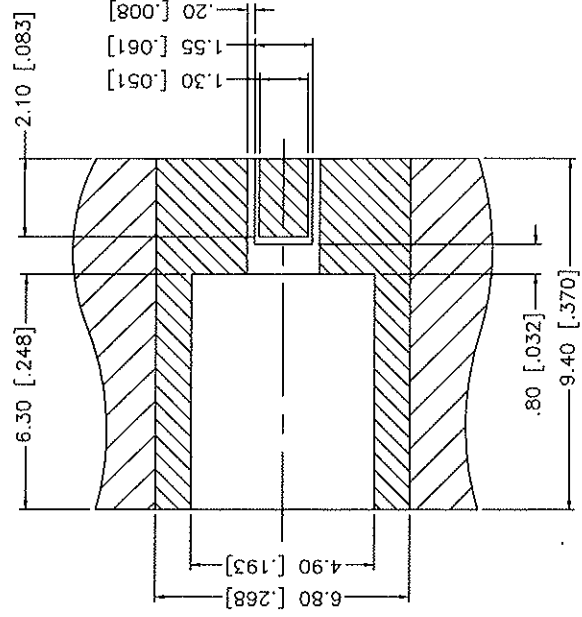


REV.	DATE	ECR NO.	DESCRIPTION
NC	08/15/04	-	INITIAL RELEASE
A	04/20/08	100007	ADD LANDING PATTERN



APPROVALS		DATE
DRN	GRS	04/20/08
CHECKED		
ISSUED		
SHEET	1 OF 1	
CAD FILE C:/252/252151-75.DWG		

DESCRIPTION	MATERIAL	FINISH	QTY
3 CONTACT PIN	8ER. COPPER	GOLD	1
2 INSULATOR	PTFE	NATURAL	1
1 BODY	BRASS	GOLD	1

UNLESS OTHERWISE SPECIFIED DIMENSIONS ARE IN MILLIMETERS DIMENSIONS IN [] ARE IN INCHES AND FOR CUSTOMER REFERENCE ONLY.	
UNLESS OTHERWISE SPECIFIED TOLERANCES FOR MILLIMETERS ARE	
0.5 - 8mm ± 0.20mm	
8 - 30mm ± 0.40mm	
30 - 120mm ± 0.50mm	
UNLESS OTHERWISE SPECIFIED TOLERANCES FOR INCHES ARE	
.020 - .315 ± 0.007"	
.315 - 1.180 ± 0.015"	
1.180 - 4.724 ± 0.020"	

DO NOT SCALE DRAWING

REV.	DATE	SCALE
REV. A	252151-75.DWG	SCALE A
REV. A	252151-75.DWG	SCALE NA

Amphenol Connex

MCX EDGE CARD PCB MOUNT JACK
(75 ohms)

PART NO. 252151-75

DWG. NO. 252151-75.DWG