

NOTES:

1. MATERIALS AND FINISHES:

- HEX NUT - BRASS, GOLD PLATING
- LOCK WASHER - BRASS, GOLD PLATING
- BODY - BRASS, GOLD PLATING
- CONTACT PIN - BRASS, GOLD PLATING
- INSULATOR - PTFE, NATURAL

2. ELECTRICAL:

- A. IMPEDANCE: 50 OHM
- B. FREQUENCY RANGE: DC - 4 GHz
- C. D.W.V: 1000 VRMS, MIN.

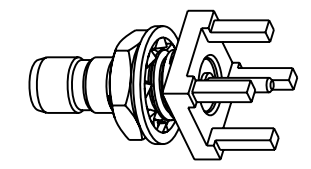
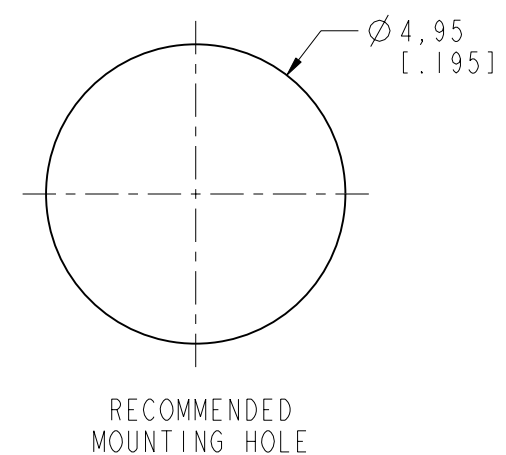
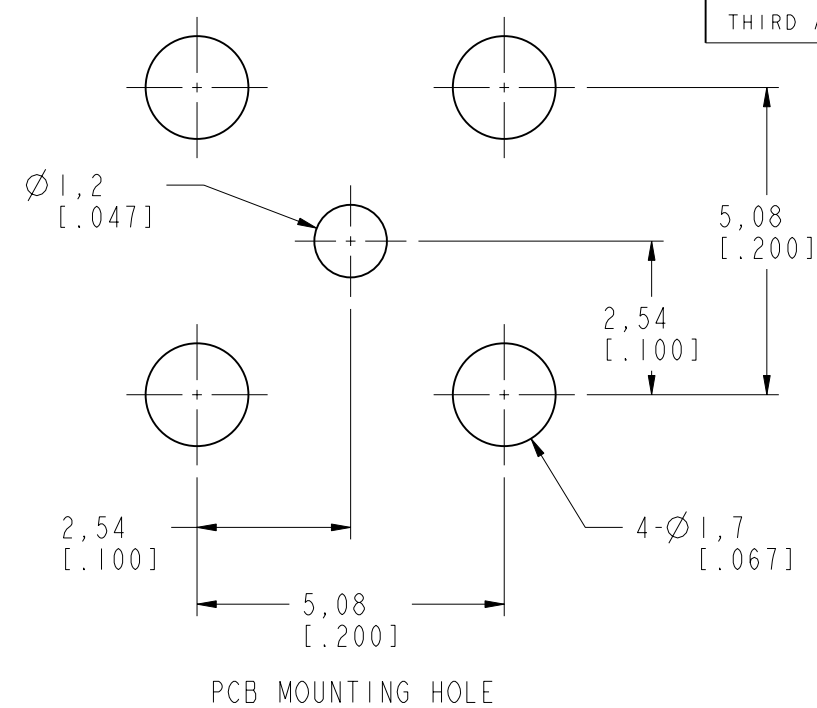
3. MECHANICAL:

- A. DURABILITY: 500 CYCLES MIN.
- B. TEMPERATURE RANGE: -65°C TO +165°C

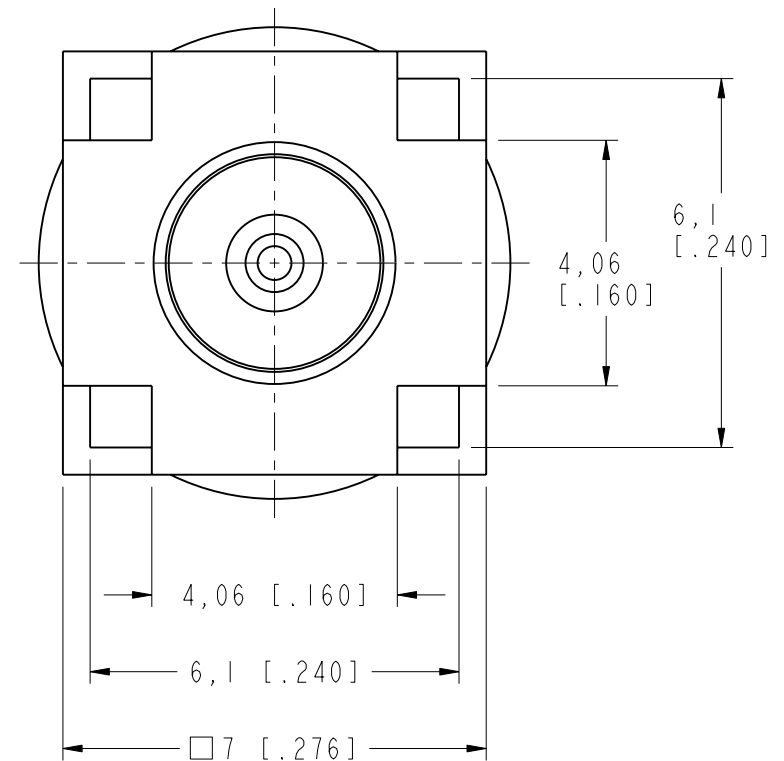
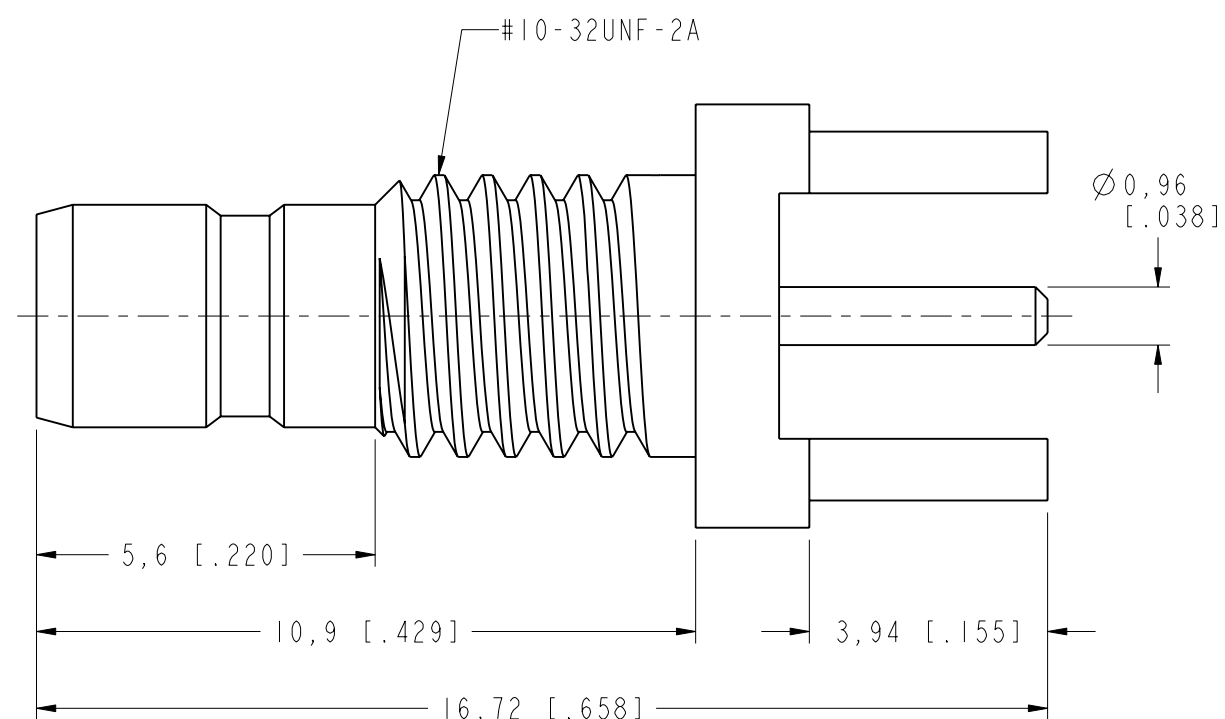
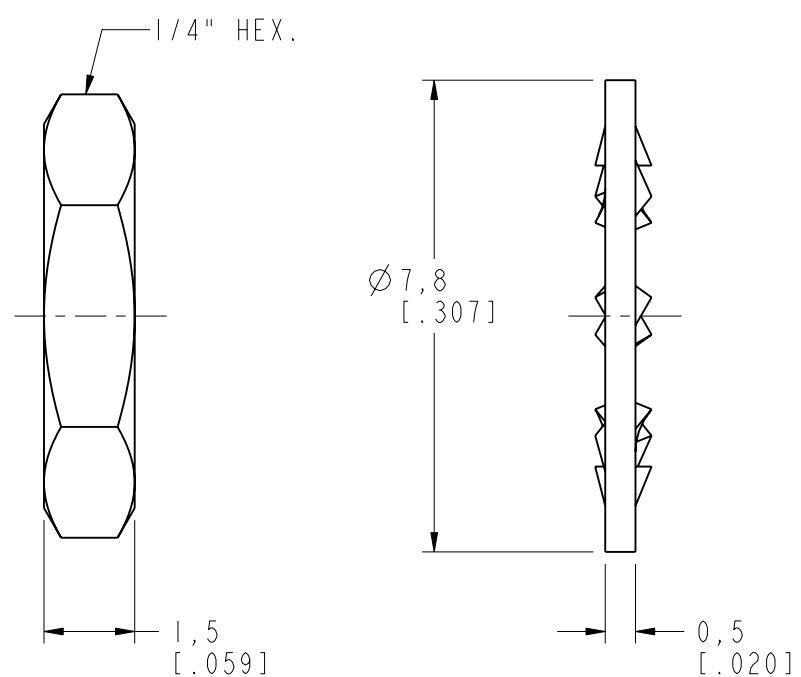
4. PANEL THICKNESS=1.0~3.0mm

THIRD ANGLE PROJ.

REVISIONS				
REV	DESCRIPTION	DATE	ECO	APPR
NC	INITIAL RELEASE	29-Jan-98	----	GRS
B	SYNC, ADDED THE PANEL CUTOUT & NOTES \N/A	18-Aug-15	50699	SH



SCALE 2.000



CUSTOMER OUTLINE DRAWING

ALL OTHER SHEETS ARE FOR INTERNAL USE ONLY

<p>UNLESS OTHERWISE SPECIFIED, DIMENSIONS ARE IN METRIC AND TOLERANCES ARE: <0.5mm ±0.05mm 0.5 - 6mm ±0.1mm 6 - 30mm ±0.2mm 30 - 120mm ±0.3mm ANGLES ±1°</p> <p>NOTICE - These drawings, specifications, or other data (1) are, and remain the property of Amphenol corp. (2) must be returned upon request; and (3) are confidential and not to be disclosed to any person other than those to whom they are given by Amphenol Corp. the furnishing of these drawings, specifications, or other data by Amphenol Corp., or to any other person to anyone for any purpose is not to be regarded by implication or otherwise in any manner licensing, granting rights to permitting such holder or any other person to manufacture, use or sell any product, process or design, patented or otherwise, that may in any way be related to or disclosed by said drawings, specifications, or other data.</p>	MATERIAL	DRAWN M. ZHANG	DATE 11-Aug-15	TITLE SMB P.C. MOUNT & BULKHEAD JACK	Amphenol RF www.amphenolrf.com
	REFERENCE AND CONFIGURATION LEVEL: In Work	ENGINEER TONY	DATE 25-Jan-03		
	FINISH	APPROVED S. HSIEH	DATE 11-Aug-15	SCALE: 8.0:1.0 SHEET 2 OF 2	ITEM NO. 121451AAF02GE5F
			CAD FILE	DWG SIZE B	REV B