

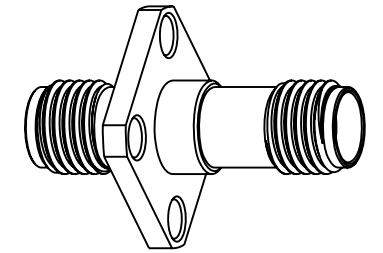
NOTES:

1. MATERIAL AND FINISHES:  
 BODY - BRASS, GOLD PLATING  
 CONTACT - BERYLLIUM COPPER, GOLD PLATING  
 INSULATOR - PTFE, NATURAL
2. ELECTRICAL:  
 A. IMPEDANCE: 50 OHM  
 B. FREQUENCY RANGE: 0-12.4 GHz  
 C. VSWR (RETURN LOSS): 1.3 MAX.  
 D. DIELECTRIC WITHSTANDING VOLTAGE: 1000 VRMS. MIN.
3. MECHANICAL:  
 A. DURABILITY: 500 CYCLES MIN.  
 B. TEMPERATURE RANGE: -65°C TO +165°C
4. MAX. PANEL THICKNESS= 6.35 [.250] mm

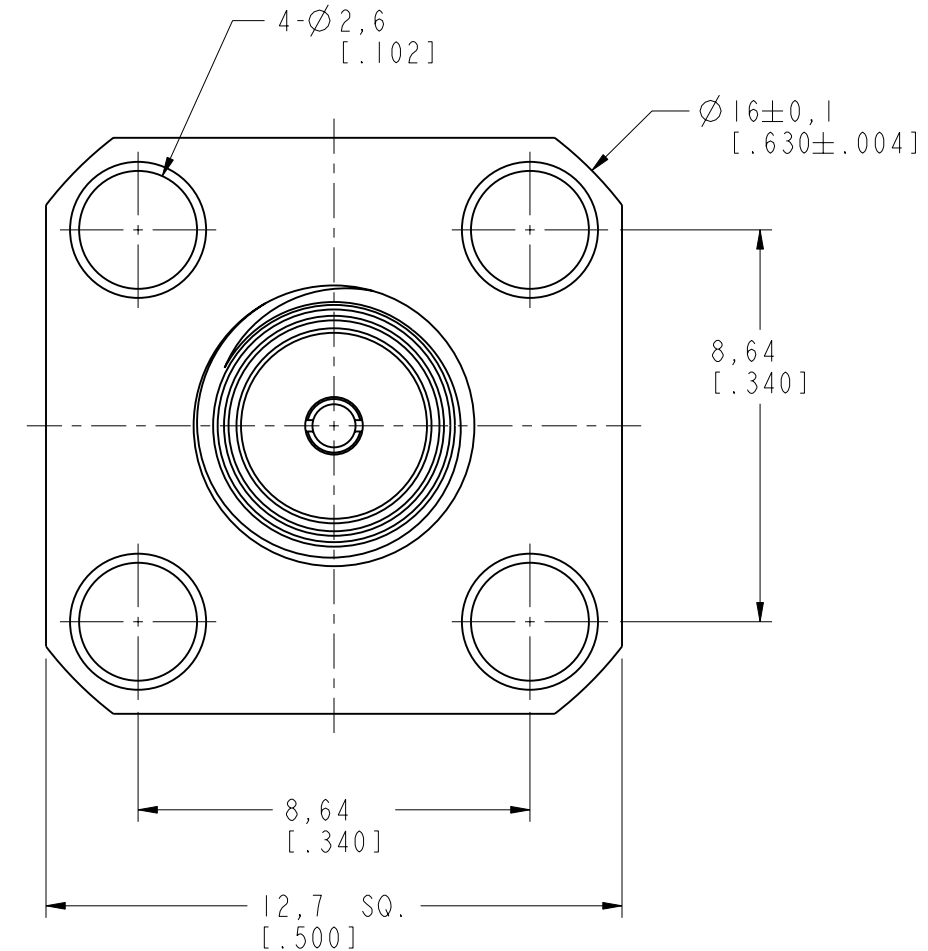
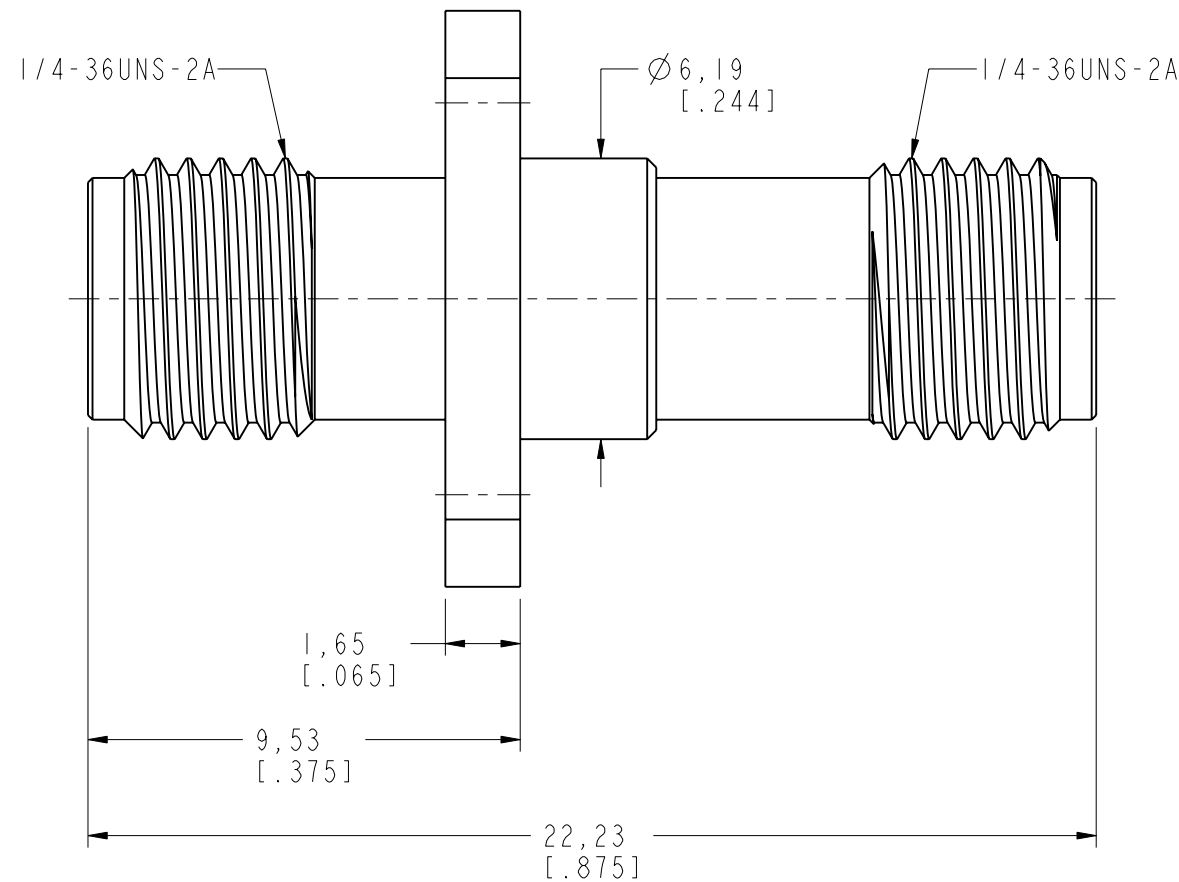
THIRD ANGLE PROJ.

REVISIONS

REV	DESCRIPTION	DATE	ECO	APPR
NC	INITIAL RELEASE	11-Feb-02	-----	GRS
A	UPDATE DRAWING FORMAT	20-Jun-14	-----	MZ



SCALE 2.000



**CUSTOMER OUTLINE DRAWING**

ALL OTHER SHEETS ARE FOR INTERNAL USE ONLY

UNLESS OTHERWISE SPECIFIED, DIMENSIONS ARE IN METRIC AND TOLERANCES ARE:  
 < 0.5mm ± 0.05mm    0.5 - 6mm ± 0.1mm    6 - 30mm ± 0.2mm    30 - 120mm ± 0.3mm    ANGLES ± 1°

NOTICE - These drawings, specifications, or other data (1) are, and remain the property of Amphenol corp. (2) must be returned upon request; and (3) are confidential and not to be disclosed to any person other than those to whom they are given by Amphenol Corp. the furnishing of these drawings, specifications, or other data by Amphenol Corp., or to any other person to anyone for any purpose is not to be regarded by implication or otherwise in any manner licensing, granting rights to permitting such holder or any other person to manufacture, use or sell any product, process or design, patented or otherwise, that may in any way be related to or disclosed by said drawings, specifications, or other data.

MATERIAL	DRAWN M. ZHANG	DATE 20-Jun-14	TITLE SMA PANEL FEMALE TO FEMALE ADAPTOR	Amphenol Connex
REFERENCE SMA7571A1-001-3GT50G-50	ENGINEER S. DUAN	DATE 20-Jun-14		
CONFIGURATION LEVEL:	APPROVED S. HSIEH	DATE 20-Jun-14	SCALE: 6.0:1.0	SHEET 1 OF 1
FINISH	CAD FILE		DWG SIZE B	REV A
				DRAWING NO.
				ITEM NO.
				PART NO. 132340