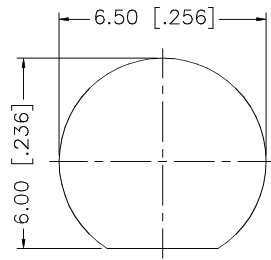
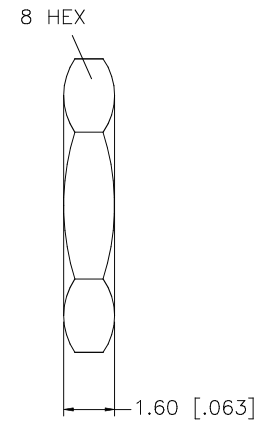
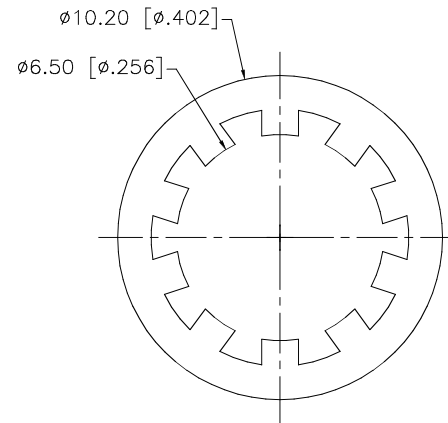
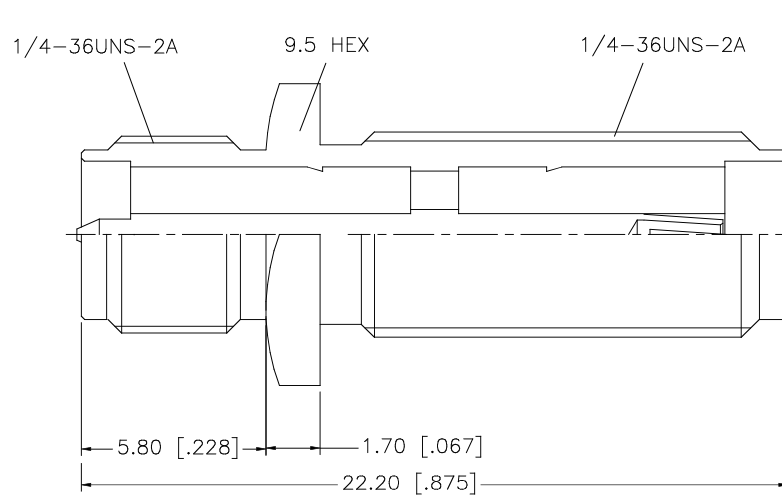


| REV. | DATE | DESCRIPTION |
|------|----------|-----------------|
| NC | 05/13/04 | INITIAL RELEASE |



RECOMMENDED
MOUNTING HOLE



| | | | | | | | | | | | | | | |
|---|-------------|-------------|---------|---------|---|---------------------|----------|---|---|----|------|---|-------|----|
| 8 | | | | | <small>UNLESS OTHERWISE SPECIFIED DIMENSIONS ARE IN MILLIMETERS. DIMENSIONS IN [] ARE IN INCHES AND FOR CUSTOMER REFERENCE ONLY.</small> <small>UNLESS OTHERWISE SPECIFIED TOLERANCES FOR MILLIMETERS ARE:</small> 0.5 - 8mm ± 0.20mm 8 - 30mm ± 0.40mm 30 - 120mm ± 0.50mm <small>UNLESS OTHERWISE SPECIFIED TOLERANCES FOR INCHES ARE:</small> .020 - .315 = ± 0.007" .315 - 1.180 = ± 0.015" 1.180 - 4.724 = ± 0.020" | APPROVALS | DATE | <h1 style="color: blue;">Amphenol Connex</h1> | | | | | | |
| 7 | | | | DRAWN | | G.R.S. | 05/13/04 | | | | | | | |
| 6 | | | | CHECKED | | | | PART DESCRIPTION | SMA BULKHEAD JACK TO SMA REVERSE POLARITY JACK ADAPTER | | | | | |
| 5 | HEX NUT | BRASS | GOLD | 1 | | ISSUED | | | | | | | | |
| 4 | LOCK WASHER | BRASS | GOLD | 1 | SHEET | 1 OF 1 | PART NO. | 132170RP | | | | | | |
| 3 | CONTACT PIN | BER. COPPER | GOLD | 1 | | | | | | | | | | |
| 2 | INSULATOR | TEFLON | NATURAL | 1 | CAD FILE | C:/132/132170SS.DWG | DWG. NO. | 132170RP.DWG | REV. | NC | SIZE | A | SCALE | NA |
| 1 | BODY | BRASS | GOLD | 1 | | | | | | | | | | |
| | DESCRIPTION | MATERIAL | FINISH | QTY | DO NOT SCALE DRAWING | | | | | | | | | |

Amphenol Connex

Adapters

Amphenol Connex
5069 Maureen Lane, Unit B
Moorpark, CA 93021 USA

New

FEATURES & BENEFITS:

High Quality
Wide Selection
Low Cost

APPLICATIONS:

Instrumentation
Military-Aerospace
Broadband
RFID
Telecommunication

800.942.6639
www.amphenolconnex.com

7/16 & N Adapter Kit
P/N 312100 • Call for Details

QUALITY COAXIAL ADAPTERS

Amphenol Connex

Coaxial Adapters

| | | MMCX | | MCX | | SMA | | SMB | | SMC | | Mini-UHF | | F | | BNC | | TNC | | UHF | | N | | 7/16 | | U.FL | | |
|----------|---------------|--------|--------|--------|--------|----------------------|----------------------|--------|--------|--------|--------|----------|--------|------------------------------|------------------------------|----------------------|--|--------------------------|--------|--------|----------------------------------|----------------------------------|----------------------|----------------------|------------|------------|--------|--|
| | | Plug | Jack | Plug | Jack | Plug | Jack | Plug | Jack | Plug | Jack | Plug | Jack | Plug | Jack | Plug | Jack | Plug | Jack | Plug | Jack | Plug | Jack | Plug | Jack | Jack | | |
| MMCX | Plug | 262132 | | | | 242142 | 242141 | | | | | | | | | | | | | | | | 242169 | 242167 | | | | |
| | Jack | 262136 | 262129 | | | 242140 | 242142 | | | | | | | | | | | | | | | | 242166 | 242168 | | 242225 | | |
| | Bulkhead Jack | | 262130 | | | | | | | | | | | | | | | | | | | | | | | | | |
| MCX | Plug | | | | 252169 | 242128 | 242127 | | | | | | | | | | | | | | | | 242173 | 242171 | | | | |
| | Jack | | | | 252171 | 242126 | 242129 | | | | | | | | | | | | | | | | 242170 | 242172 | | | | |
| SMA | Plug | 242142 | 242140 | 242128 | 242126 | 132168 132339 R/A | 132171 | 242146 | 242144 | 242177 | 242174 | 242118 | 242116 | | 242104 | 242102 | 242106 | 242124 | 242110 | 242108 | | 242114 | 242112 | | | 242212 | | |
| | Jack | 242141 | 242143 | 242127 | 242129 | 132171 132172 R/A | 132169 132274 R/A | 242145 | 242147 | 242175 | 242176 | 242117 | 242119 | | 242103 | 242123 | 242105 | 242107 | 242109 | 242111 | | 242113 | 242115 | | | | | |
| | Bulkhead Jack | 242193 | | | | | 132170 132170-10 | | 242182 | | | | | | | 242227 | | | | | | | | | | | 272188 | |
| SMB | Plug | | | | | 242146 | 242145 | 142246 | 142310 | | | | | | | | | | | | | | | | | | | |
| | Jack | | | | | 242144 | 242147 | 142310 | 142244 | | | | | | | | | | | | | | | | | | | |
| SMC | Bulkhead Jack | | | | | | | | | | | | | | | | | | | | | | | | | | | |
| | Plug | | | | | 242177 | 242175 | | | | | | | | | | | | | | | | | | | | | |
| | Jack | | | | | 242174 | 242176 | | | 252141 | | | | | | | | | | | | | | | | | | |
| Mini-UHF | Plug | | | | | 242118 | 242117 | | | | | | | | | | | | | | 242153 | | | | | | | |
| | Jack | | | | | 242116 | 242119 | | | | | | | | | | | | | | | | | | | | | |
| F | Plug | | | | | | | | | | | | | 222156 | 222157 Push-on 222122 R/A | | | | | | | | 242157 | 242152 | | | | |
| | Jack | | | | | | | 242223 | 242224 | | | | | 222157 Push-on 222122 R/A | | 242154 | 242161 | | | | | | 242156 242158 R/A | 242120 | | | | |
| | Bulkhead Jack | | | | | | | | | | | | | | 222121 | | | | | | | | | | | | | |
| BNC | Plug | | | 242205 | 242203 | 242104 | 242103 | 242187 | 242184 | | | | | | 242160 | 242154 | 112447 50Ω 112448 75Ω 112655 50Ω R/A | 112667 50Ω 112668 75Ω | 242151 | 242148 | 242139 | 242134 | 242122 | 242101 | | | | |
| | Jack | | | 242204 | 242206 | 242102 | 242123 | 242185 | 242186 | | | | | | 242159 | 242161 | 112451 50Ω 112452 75Ω | 112445 50Ω 12446 75Ω | 242149 | 242150 | 242164 242232 R/A | 242165 | 242121 | 242100 | | | | |
| | Bulkhead Jack | | | | | | | | | | | | | | | | | | | | | | | | | | 242162 | |
| | Panel Jack | | | | | | | | | | | | | | | | | | | | | | | | | | | |
| TNC | Plug | | | 242210 | 242208 | 242106 | 242105 | | | | | | | | | | 242197 | | 242151 | 242149 | 122350 50Ω 122351 75Ω | 122352 50Ω R/A 122353 75Ω R/A | | 242133 | 242131 | | | |
| | Jack | | | 242209 | | 242124 | 242107 | | | | | | | | | | | | 242148 | 242150 | 122352 50Ω R/A 122353 75Ω R/A | 122348 50Ω 122349 75Ω | | 242130 | 242132 | | | |
| | Bulkhead Jack | | | | | | 242178 | | | | | | | | | | | | | | | | | | | | 242192 | |
| UHF | Plug | | | | | 242110 | 242109 | | | | | | | | | | | | 242139 | 242164 | | | | | | | | |
| | Jack | | | | | 242108 | 242111 | | | | | | | | | | | | 242134 | 242165 | | | | | | | | |
| | Bulkhead Jack | | | | | | | | | | | | | | | | | | | | | | 182134 R/A | | | | | |
| N | Plug | 242169 | 242166 | 242173 | 242170 | 242114 | 242113 | | | | | | | | 242157 | 242156 242158 R/A | 242122 | 242121 | 242133 | 242130 | 242155 | | 172122 172261 R/A | 172276 172126 R/A | 242138 | 242135 | | |
| | Jack | 242167 | 242168 | 242171 | 242172 | 242112 | 242115 | | | | | | | | 242152 | 242120 | 242101 | 242100 | 242131 | 242132 | | | 172276 172126 R/A | 172123 | 242136 | 242137 | | |
| | Bulkhead Jack | | | | | | 242125 | | 242183 | | | | | | | | | | | | | | 172336 | 172124 | | 272183 | | |
| | Panel Jack | | | | | | 242163 | | 242198 | | | | | | | | | | | | | | | 172278 | | | | |
| 7/16 | Plug | | | | | | | | | | | | | | | | | | | | | | 242138 | 242136 | 272134 | 272150 R/A | | |
| | Jack | | | | | | | | | | | | | | | | | | | | | | 242135 | 242137 | 272150 R/A | 272135 | | |
| 1.0/2.3 | Bulkhead Jack | | | | | | | | | | | | | | | | | | | | | | | | | | 272174 | |
| | Plug | | | | | | | | | | | | | | | | | | | | | | | | 242217 | | | |
| | Jack | | | | | | | | | | | | | | | | | | | | | | | | 242218 | | | |
| | Bulkhead Jack | | | | | | | | | | | | | | | 242229-75 75Ω | | | | | | | | | | | | |



Standard RF Connectors

- BNC
- SMA
- N Type
- MMCX
- MCX and many more...



RF Cable Assemblies

- Standard Flexible Cables
- Semi-Rigid Cables
- Corrugated Cables

Amphenol Connex
800.942.6639
www.amphenolconnex.com

Reverse Polarity and Reverse Threaded options available

Need an adapter that's not listed? Contact us toll-free.