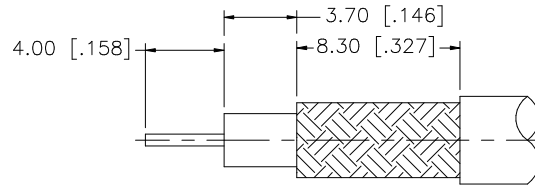
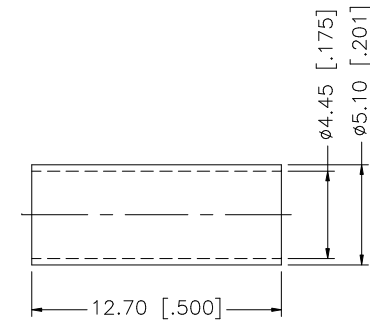
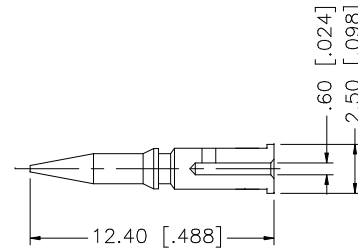
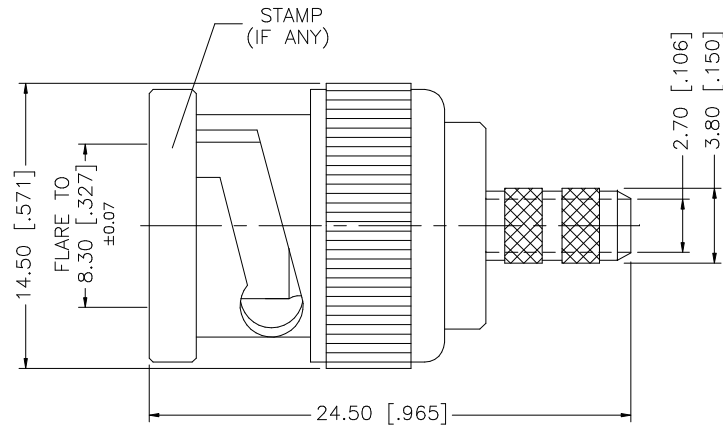


REV.	DATE	DESCRIPTION
A	11/21/03	UPDATE DRAWING FORMAT



RECOMMENDED CABLE STRIPPING DIM'S



CRIMP NOTES:

1. CRIMPED FERRULE
HEX CRIMP SIZE .178"
2. CRIMPED CONTACT PIN
HEX CRIMP SIZE .068"

REV.	DATE	DESCRIPTION
A	11/21/03	UPDATE DRAWING FORMAT
8		
7		
6		
5		
4	FERRULE	COPPER
3	CONTACT PIN	BRASS
2	INSULATOR	DELTRIN
1	BODY	BRASS
	DESCRIPTION	MATERIAL
		FINISH
		QTY
UNLESS OTHERWISE SPECIFIED DIMENSIONS ARE IN MILLIMETERS. DIMENSIONS IN [] ARE IN INCHES AND FOR CUSTOMER REFERENCE ONLY. UNLESS OTHERWISE SPECIFIED TOLERANCES FOR MILLIMETERS ARE: 0.5 - 8mm ± 0.20mm 8 - 30mm ± 0.40mm 30 - 120mm ± 0.50mm UNLESS OTHERWISE SPECIFIED TOLERANCES FOR INCHES ARE: .020 - .315 = ± 0.007" .315 - 1.180 = ± 0.015" 1.180 - 4.724 = ± 0.020"		
APPROVALS DRAWN G.R.S. DATE 11/21/03 CHECKED ISSUED SHEET 1 OF 1 CAD FILE C:/112/112521.DWG		
PART DESCRIPTION Amphenol Connex BNC CRIMP PLUG (FOR BELDEN 1865A, 8218, B1417B, B1164B, RG-B809)		
PART NO. 112521		
DWG. NO.	112521.DWG	REV. A
SIZE	A	SCALE NA
DO NOT SCALE DRAWING		