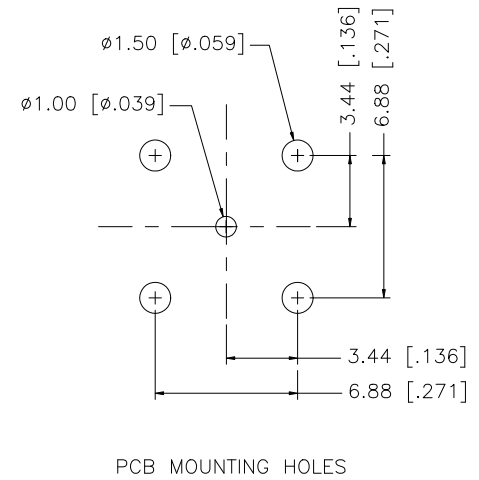
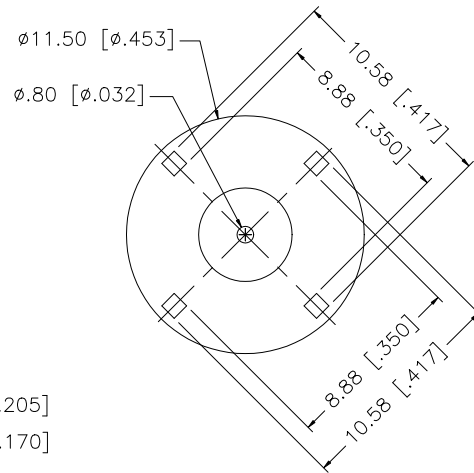
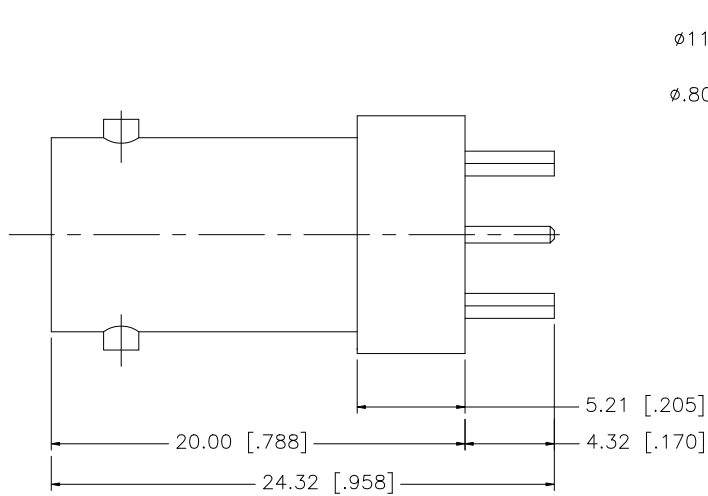


REV.	DATE	ECR NO.	DESCRIPTION
NC	03/20/03	-	INITIAL RELEASE
A	01/21/09	100076	REVISE BODY PLATING TO NICKEL
B	02/05/09	-	ADD NOTE 1.



NOTES:

1. VSWR 1.15 MAX @ 3GHz.

REV.	DATE	ECR NO.	DESCRIPTION
8			
7			
6			
5			
4			
3			
2			
1			
DESCRIPTION	MATERIAL	FINISH	QTY

UNLESS OTHERWISE SPECIFIED DIMENSIONS ARE IN MILLIMETERS. DIMENSIONS IN [] ARE IN INCHES AND FOR CUSTOMER REFERENCE ONLY.				APPROVALS	DATE	<h1 style="color: blue; margin: 0;">Amphenol Connex</h1>
UNLESS OTHERWISE SPECIFIED TOLERANCES FOR MILLIMETERS ARE: 0.5 - 8mm ± 0.20mm 8 - 30mm ± 0.40mm 30 - 120mm ± 0.50mm				DRAWN GRS	02/05/09	
UNLESS OTHERWISE SPECIFIED TOLERANCES FOR INCHES ARE: .020 - .315 = ± 0.007" .315 - 1.180 = ± 0.015" 1.180 - 4.724 = ± 0.020"				CHECKED		
DO NOT SCALE DRAWING				ISSUED		
				SHEET 1 OF 1		
				CAD FILE		PART DESCRIPTION
				C:/112/112515-75.DWG		BNC P.C. MOUNT RECEPTACLE JACK (75 ohm)
				DWG. NO.	112515-75.DWG	PART NO.
				REV.	B	112515-75
				SIZE	A	SCALE
						NA