

Printed Circuit Board Headers

Technical Features

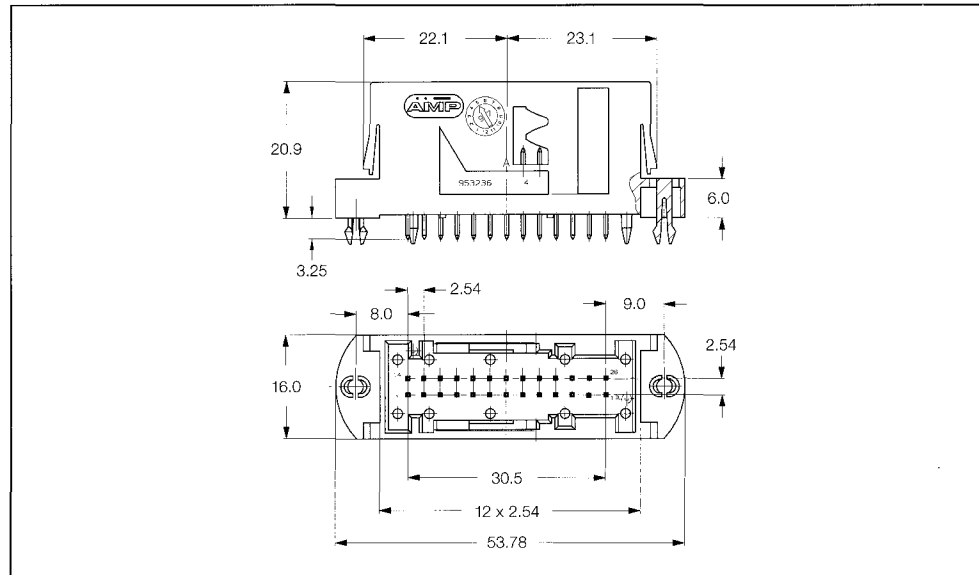
No. of Positions:
26 Positions with Board Locks

Housing Material:
PBT GF20

Material and Finish:
CuSn6, post tin plated

Product Specification:
108-15181

Application Specification:



26 Position PCB Headers

No. of Pos.	Keying Options	Housing Color	Part Numbers					
			PCB Header Right-Angle	PCB Header Vertical	Cover	Cover and Lever	Retainer Housing	Mating Counter Part
26	-	Yellow	-	953236-1	-	-	-	185879
		Blue	-	953236-2	-	-	-	144934

Technical Features

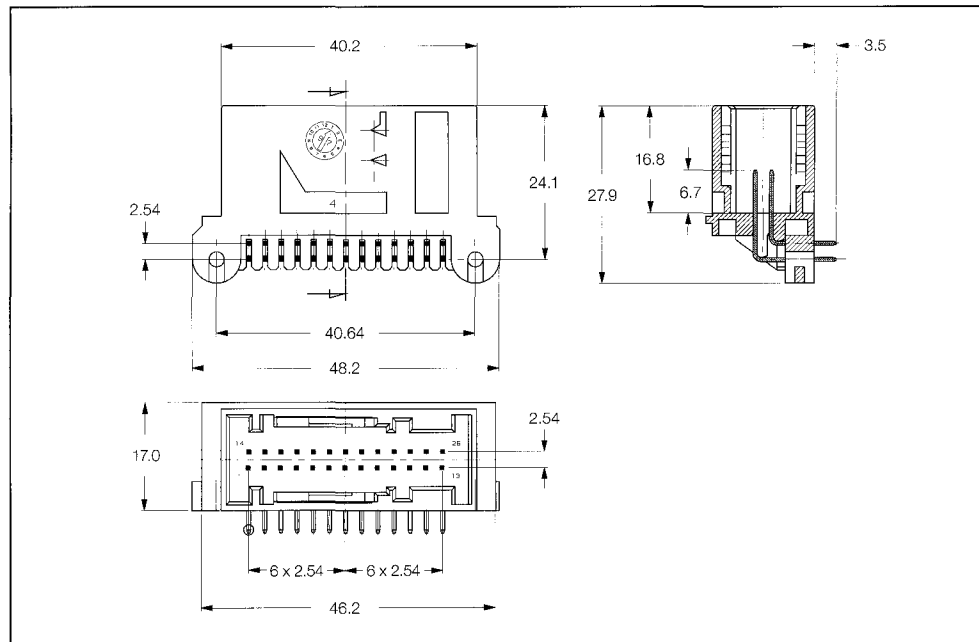
No. of Positions:
26 Positions

Housing Material:
PBT GF20

Material and Finish:
CuSn6, post tin plated

Product Specification:
108-15140

Application Specification:



26 Position PCB Headers

No. of Pos.	Keying Options	Housing Color	Part Numbers					
			PCB Header Right-Angle	PCB Header Vertical	Cover	Cover and Lever	Retainer Housing	Mating Counter Part
26	-	Yellow	185890-1	-	-	-	-	185879
		Blue	185890-2	-	-	-	-	144934