



TDV SERIES

VERTICAL 3-PHASE 3-WIRE FILTERS



COMPONENTS

PART No.	Cx1(uF)	Cx2(uF)	Cy(uF)	L(mH)	R1(M.Ω)	R2(M.Ω)
07TDVST2	2.2	2.2	2.2	2.52	1.0	0.68
16TDVST2				1.70		
30TDVST2	4.4	4.4		1.00		
42TDVST2				0.60		
55TDVST2				0.60		
75TDVST2				0.45		
*100TDVST2	6.6	6.6	0.30	1.5		

* USE DIFFERENT TERMINAL BLOCK STYLE.

MINIMUM INSERTION LOSS IN dB

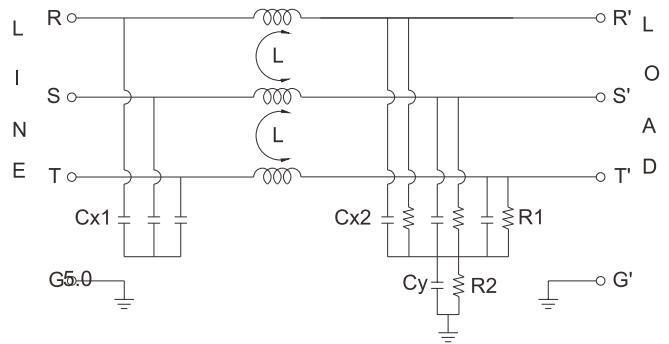
PART NO.	COMMONMODE(L-G) IN 50 OHM SYSTEM					
	FREQUENCY-MHz					
	10	.15	.50	1.0	30	40
07TDVST2		50	70	65	50	4020
16TDVST2	50	50	50	45	30	20
30TDVST2	50	55	50	45	30	15
42TDVST2	45	50	50	30	25	10
55TDVST2	45	60	55	35	30	10
75TDVST2	40	55	50	25	18	7
*100TDVST2	35	50	45	25	15	7

PART NO.	DIFFERENTIALMODE(L-L) IN 50 OHM SYSTEM					
	FREQUENCY-MHz					
	10	.15	.50	1.0	30	40
07TDVST2	45	60	70	50	40	40
16TDVST2	45	45	50	40	35	30
30TDVST2	45	45	45	45	45	25
42TDVST2	35	50	50	40	40	20
55TDVST2	40	55	55	50	50	20
75TDVST2	40	45	45	40	40	5
*100TDVST2	30	35	35	35	30	7

INTRODUCTIONS

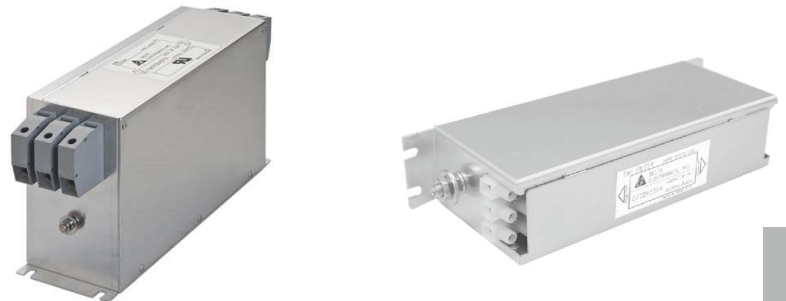
1. Applications: Electric equipment, UPS, machine tool, copy machine, automation equipment, robot, AC motor drive
2. Voltage rating: 480VAC
3. Operating frequency: 50/60Hz

ELECTRICAL SCHEMATIC



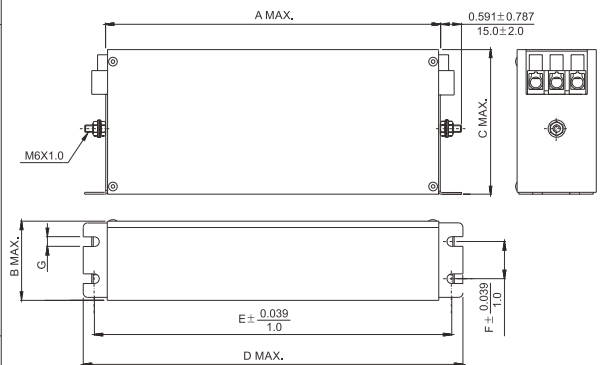
MECHANICAL CONSTRUCTION

* FOR 100TDVST2 ONLY..



SERIES DIMENSIONS

PART NO.	DIMENSIONS IN INCHES/mm							
	A	B	C	D	E	F	G	
07TDVST2	6.378	1.654	2.835	7.559	7.087	0.787	0.213	
	162.0	42.0		192.0	180.0	20.0		
16TDVST2	8.740	1.850	72.0	9.921	9.252	0.984		
	222.0	47.0	252.0	235.0	25.0			
30TDVST2	9.528	2.047	3.425	10.709	10.039	1.181		5.4
	242.0			272.0	255.0			
42TDVST2	11.102	52.0	87.0	12.283	11.614	30.0		
	282.0		312.0	295.0				
55TDVST2	8.740	3.425	3.622	9.921	9.252	2.362		
	222.0	87.0	92.0	252.0	235.0			
75TDVST2	9.528	3.622	5.394	10.709	10.039	60.0	0.256	
	242.0	92.0	137.0	272.0	255.0			
*100TDVST2	9.449	3.543	5.906	10.63	10.039	2.559	6.5	
	240.0	90.0	150.0	270.0	255.0	65.0		



UNIT: INCH/mm

THREE-PHASE FILTERS

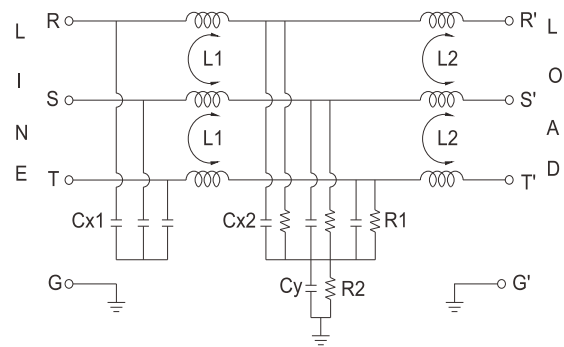
COMPONENTS

PART No.	Cx1 (uF)	Cx2 (uF)	Cx3 (uF)	Cy (uF)	L1 (mH)	L2 (uH)	R1 (Ω)	R2 (Ω)
07TDVST2-1	3.3	3.3	-	3.3	2.52	4.5	1M	680K
16TDVST2-1		2.2	3.3		1.77	9		
30TDVST2-1		3.3	-		1.1			
42TDVST2-1	10	3.3	-	3.3	0.6	8	680K	680K
55TDVST2-1					1.3			
75TDVST2-1					0.9			
100TDVST2-1					0.5			
130TDVST2-1					0.4			
180TDVST2-1								

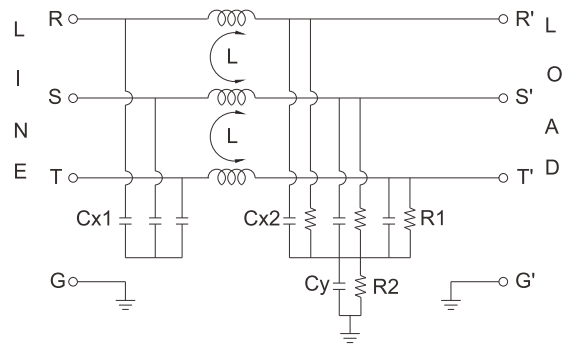
INTRODUCTIONS

1. Applications: Electric equipment, UPS, machine tool, copy machine, automation equipment, robot, AC motor drive
2. Voltage rating: 480VAC
3. Operating frequency: 50/60Hz

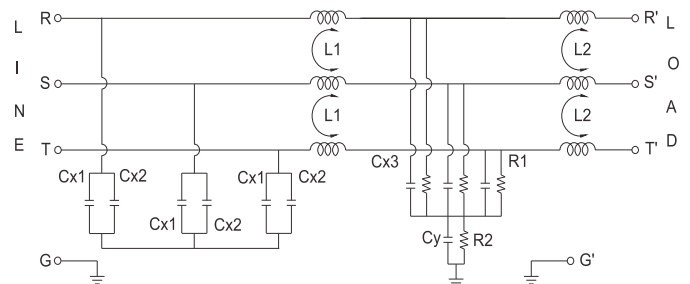
ELECTRICAL SCHEMATIC



07/42/55/75/100/130TDVST2-1



180TDVST2-1 ONLY



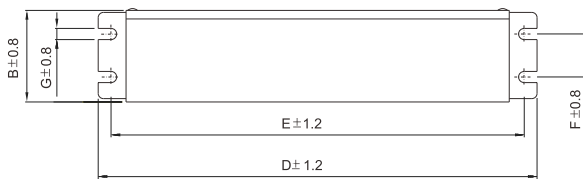
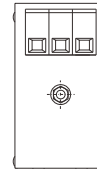
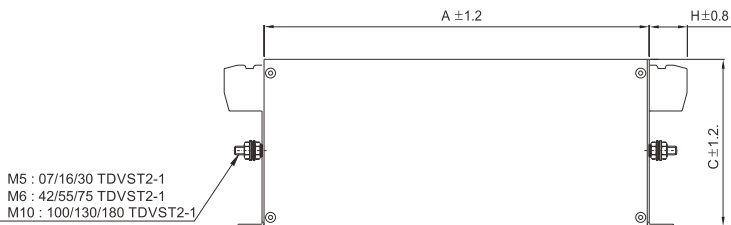
16/30TDVST2-1

MINIMUM INSERTION LOSS IN dB

COMMONMODE(L-G) IN 50 OHM SYSTEM						
PART NO.	FREQUENCY-MHz					
	.15	.50	1.0	5.0	10	30
07TDVST2-1	55	70	60	45	30	15
16TDVST2-1	50	65	55	40	35	20
30TDVST2-1	50	60	55	35	35	10
42TDVST2-1	50	55	50	30	20	10
55TDVST2-1	55	65	50	30	20	5
75TDVST2-1	55	60	50	20	10	5
100TDVST2-1	50	65	50	20	10	5
130TDVST2-1	45	65	50	35	15	5
180TDVST2-1	40	60	45	30	20	5
DIFFERENTIALMODE(L-L) IN 50 OHM SYSTEM						
07TDVST2-1	45	50	45	40	40	20
16TDVST2-1	55	55	50	40	40	35
30TDVST2-1	45	40	35	35	35	20
42TDVST2-1	55	40	30	20	20	10
55TDVST2-1	60	55	45	40	35	5
75TDVST2-1	60	60	50	40	20	5
100TDVST2-1	50	50	45	35	25	5
130TDVST2-1	40	55	45	30	30	5
180TDVST2-1	45	40	35	20	20	10

SERIES DIMENSIONS

PART NO.	DIMENSIONS IN INCHES/mm							
	A	B	C	D	E	F	G	H
07TDVST2-1	$\frac{6.299}{160.0}$	$\frac{1.575}{40.0}$	$\frac{2.756}{70.0}$	$\frac{7.48}{190.0}$	$\frac{7.087}{180.0}$	$\frac{0.787}{20.0}$	$\frac{0.177}{4.5}$	$\frac{0.965}{24.5}$
16TDVST2-1	$\frac{8.661}{220.0}$	$\frac{1.772}{45.0}$	70.0	$\frac{9.843}{250.0}$	$\frac{9.252}{235.0}$	$\frac{0.984}{25.0}$	0.213	
30TDVST2-1	$\frac{9.449}{240.0}$	1.969	3.346	$\frac{10.63}{270.0}$	$\frac{10.039}{255.0}$	1.181		
42TDVST2-1	$\frac{11.024}{280.0}$	50.0	85.0	$\frac{12.205}{310.0}$	$\frac{11.614}{295.0}$	30.0		
55TDVST2-1	$\frac{8.661}{220.0}$	$\frac{3.927}{100.0}$	$\frac{3.543}{90.0}$	$\frac{9.843}{250.0}$	$\frac{9.252}{235.0}$	2.362	60.0	1.516
75TDVST2-1	$\frac{9.449}{240.0}$	$\frac{3.543}{90.0}$	$\frac{5.315}{135.0}$	$\frac{10.63}{270.0}$	$\frac{10.039}{255.0}$	$\frac{2.559}{65.0}$	$\frac{0.256}{6.5}$	38.5
100TDVST2-1		4.331	$\frac{5.906}{150.0}$					1.693
130TDVST2-1		110.0	150.0	43.0				
180TDVST2-1	$\frac{13.78}{350.0}$	$\frac{5.512}{140.0}$	$\frac{6.693}{170.0}$	$\frac{14.961}{380.0}$	$\frac{14.37}{365.0}$	$\frac{4.016}{102.0}$		$\frac{1.949}{49.5}$



UNIT: $\frac{\text{INCH}}{\text{mm}}$

MECHANICAL CONSTRUCTION



Mouser Electronics

Authorized Distributor

Click to View Pricing, Inventory, Delivery & Lifecycle Information:

Delta Electronics:

[75TDVST2](#) [07TDVST2](#) [100TDVST2](#) [42TDVST2](#) [55TDVST2](#) [16TDVST2](#) [30TDVST2](#) [07TDVST2-1](#) [100TDVST2-1](#)
[130TDVST2-1](#) [16TDVST2-1](#) [180TDVST2-1](#) [30TDVST2-1](#) [42TDVST2-1](#) [55TDVST2-1](#) [75TDVST2-1](#)