

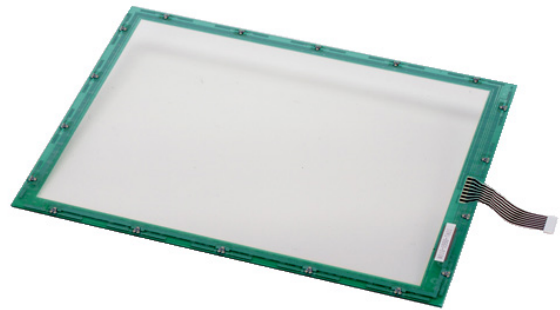
FUJITSU Component Touch Panels

Standard 7-Wire series

Fujitsu Resistive Touch Panel Specification

Features

- Superior long life, using a unique construction method offering improved life over typical technologies; by sensing data input only on the glass layer, typically a 10x improvement in product life is achieved.
- Excellent specification and high quality
 - Anti Newton ring technology
 - High reliability materials
- Pen/finger, pen only, finger only, light touch types available
- Transparency - 80% typical
- Anti-glare finish (haze 5%)
- RoHS compliant



■ Part Numbers

Part Number	Size	Type
N010-0510-T303	17.0"	Pen/Finger
N010-0510-T219	15.0"	Pen/Finger
N010-0550-T717	12.1"	Pen/Finger
N010-0550-T613	10.4"	Pen/Finger
N010-0550-T625	10.4"	Pen/Finger (light touch type)
N010-0550-T627	10.4"	Pen/Finger (light touch type) 100mm tail)

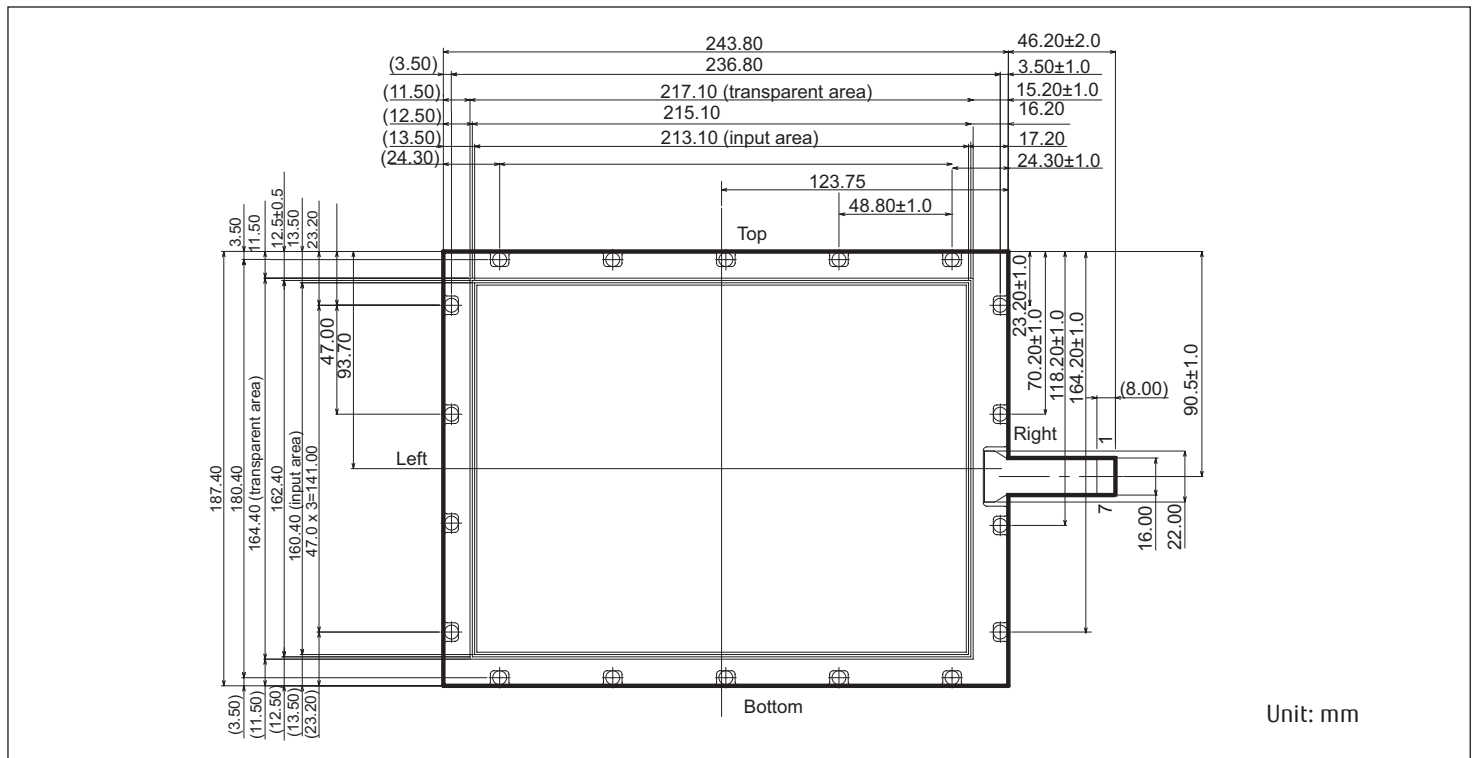
■ Controller Boards

Part Number	Type
NC01850-B075RS	7-wire, RS232C
NC01850-B020RS	7-wire, USB

■ Interface Controller Chips

Part Number	Type
NC41120-0036	7-wire, RS232C
NC41120-0051	7-wire, USB

■ Dimension example (10.4" shown)



■ Detailed specifications

1. This specification applies to the standard series Resistive Touch Panel (Pen/Finger type)
2. Complete specification document is available upon request.

■ Electrical

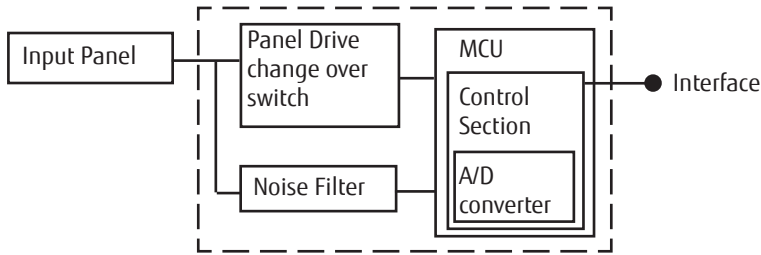
Location accuracy	±2.5mm measured over 9 points
Linearity	1.5% typical
Current consumption	36mA max. at DC 5V when applying 5VDC between 3 & 5
Switch bounce (chattering)	10ms min. when using the silicon rubber measurement rod
Insulation resistance	10MΩ minimum at 25KV DC applied between pins 3 & 7 or between 5 & 7
Dielectric strength	25KV DC for 1 minute

■ Environmental

Operating temperature	-5°C to 60°C
Storage temperature	-30°C to 70°C
Operating humidity	20% to 90% RH with a maximum wet bulb temperature of 38°C
Storage humidity	10% to 90% RH with a maximum wet bulb temperature of 38°C
Chemical resistance	Coating with the following chemicals and storing at room temperature for 2 hours gives no problems. 10% NaCl-water solution, ethyl-acetate, ethyl-alcohol, toluene, methyl-ethyl-ketone

■ System description and block diagram

This panel in combination with a control IC chip is used to transfer the touch co-ordinate data to the host system.



■ General notes

Touch panels are made of glass, so care must be taken in handling them. Do not stress, pile, bend, lift by the cable or put any stress on the film, for example moving by film face vacuum. In order to clean wring dry a cloth which has been emerged in a natural detergent. DO NOT use any organic solvent, acid or alkali solution. Watch the edge of the panel when cleaning, again for safety reasons.

Contact

Japan
FUJITSU COMPONENT LIMITED
Shinagawa Seaside Park Tower
12-4, Higashi-shinagawa 4-chome,
Tokyo 140 0002, Japan
Tel: (81-3) 3450-1682
Fax: (81-3) 3474-2385
Email: fcl-contact@cs.jp.fujitsu.com
Web: www.fujitsu.com/jp/group/fcl/en/

Europe
FUJITSU COMPONENTS EUROPE B.V.
Diamantlaan 25
2132 WW Hooftdorp, The Netherlands
Tel: (31-23) 5560910
Fax: (31-23) 5560950
Email: info@fceu.fujitsu.com
Web: www.fujitsu.com/uk/products/
devices/components/

China
FUJITSU ELECTRONIC COMPONENTS
(SHANGHAI) CO., LTD.
Unit 4306, InterContinental Center
100 Yu Tong Road, Shanghai 200070, China
Tel: (86 21) 3253 0998 / Fax: (86 21) 3253 0997
Email: fcal@sg.fujitsu.com
www.fujitsu.com/sg/products/devices/
components/

Korea
FUJITSU COMPONENTS KOREA, LTD.
Alpha Tower #403,
645 Sampyeong-dong,
Bundang-gu, Seongnam-si,
Gyeonggi-do, 13524 Korea
Tel: (82 31) 708-7108
Fax: (82 31) 709-7108
Email: fcal@sg.fujitsu.com
www.fujitsu.com/sg/products/
devices/components/

North and South America
FUJITSU COMPONENTS AMERICA, INC.
1230 E. Arques Ave., MS 160
Sunnyvale, CA 94085 U.S.A.
Tel: (1-408) 745-4900
Fax: (1-408) 745-4970
Email: components@us.fujitsu.com
Web: http://us.fujitsu.com/components/

Asia Pacific
FUJITSU COMPONENTS ASIA, Ltd.
102E Pasir Panjang Road
#01-01 Citilink Warehouse Complex,
Singapore 118529
Tel: (65) 6375-8560 / Fax: (65) 6273-3021
Email: fcal@sg.fujitsu.com
www.fujitsu.com/sg/products/devices/
components/

Hong Kong
FUJITSU COMPONENTS HONG KONG Co., Ltd.
Room 06, 28/F, Greenfield Tower, Concordia
Plaza, No.1 Science Museum Road,
Tsim Sha Tsui East, Kowloon, Hong Kong
Tel: (852) 2881 8495 Fax: (852) 2894 9512
Email: fcal@sg.fujitsu.com
www.fujitsu.com/sg/products/devices/
components/

Copyright

All trademarks or registered trademarks are the property of their respective owners. Fujitsu Components America or its affiliates do not warrant that the content of datasheet is error free. In a continuing effort to improve our products Fujitsu Components America, Inc. or its affiliates reserve the right to change specifications/datasheets without prior notice. Copyright ©2020 Fujitsu Components America, Inc. All rights reserved. Revised July 10, 2020.

Mouser Electronics

Authorized Distributor

Click to View Pricing, Inventory, Delivery & Lifecycle Information:

Fujitsu:

[N010-0550-T613](#) [N010-0510-T219](#) [N010-0550-T717](#) [N010-0510-T303](#)