

5

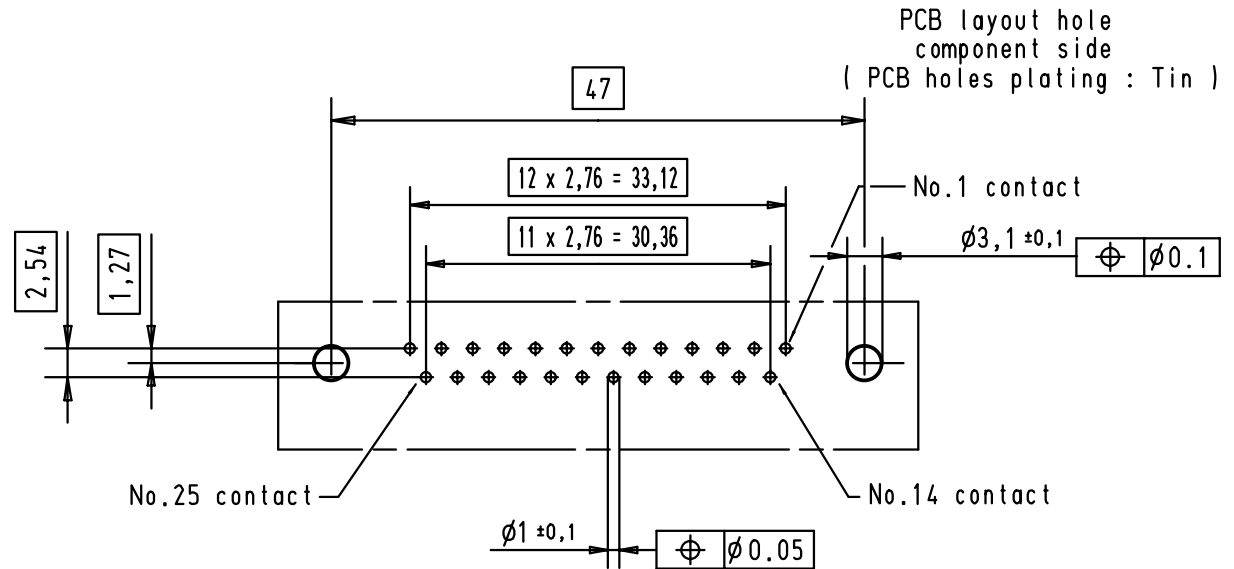
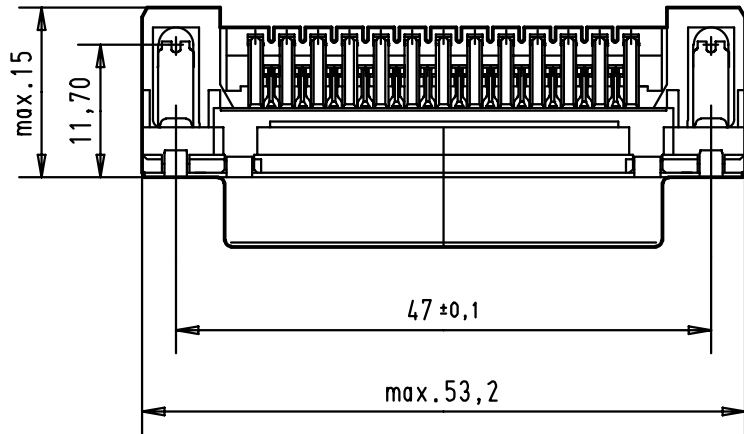
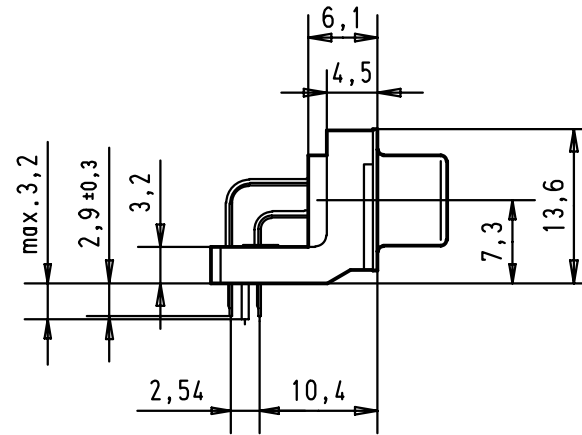
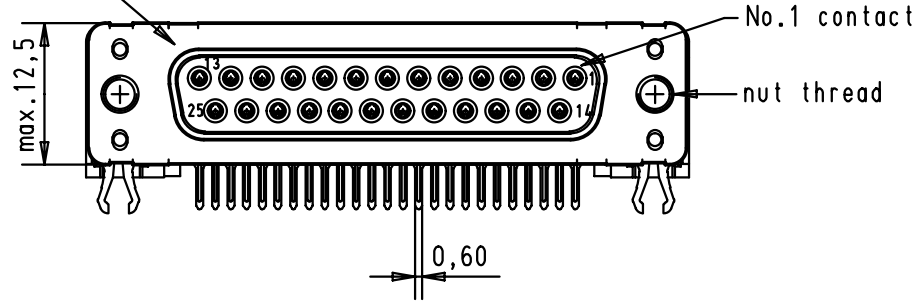
4

3

2

1

Mating face according to : MIL-C-24308 / DIN 41652 / CECC 75301-802

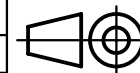


Connector retention and insertion forces on the PCB = 25 / 80 newtons

A

09 66 352 6611	M 3	2					
09 66 352 7611	M 3	3					
09 66 352 5611	M 3	0.76 µm Au					
09 66 352 6612	4-40 UNC	2					
09 66 352 7612	4-40 UNC	3					
09 66 352 5612	4-40 UNC	0.76 µm Au	27960	06/dec/00	ALSPACE		
Part number	Nut thread	Performance level	Mod.	Dat.	Name		

	Dat.	Name
Detail.	06/dec/00	ALSPACE
Insp.		
Stand.		
HARTING EURL F-95972 Paris		



All Dim. in mm
Orig. Size DIN A 4



D-Sub 25 poles standard angle female, solder pin with nut and grounding board lock.

TB 0966352x61x

Sub.

Maßstab/
Scale

1.5:1

Blatt/ Page

5 / 6