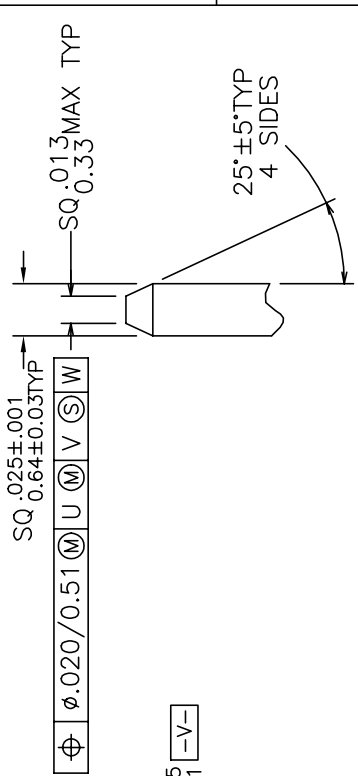
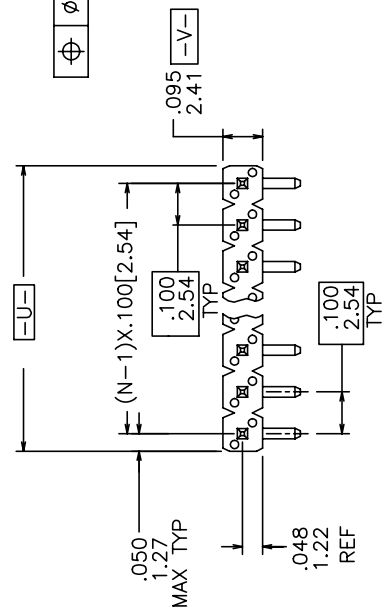


PRODUCT NUMBER

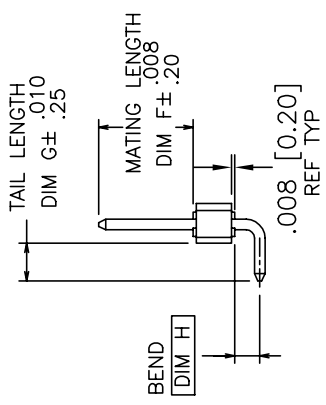
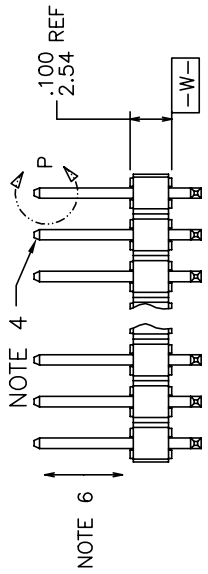
10129379 - X YY XXX X LF

- LEAD FREE OPTION (SEE NOTES 7)
- PACKAGING OPTIONS (SEE NOTE 3)
- INDICATES DIFFERENT MATING LENGTH TAIL LENGTH AND OTHER OPTIONS (SEE TABLE IN SHEET 2)
- NO. OF POSITIONS (SEE NOTE 2)
- PIN PLATING (SEE SHEET 2)
- BASE PART NO.



⊕ φ.020/0.51 (M) U (M) V (S) W

DETAIL P  
TYP BOTH ENDS



.100±.003 [2.54±.08]  
TYP. NON-ACCUMULATIVE

RECOMMENDED HOLE PATTERN

|              |             |                                       |                          |                |
|--------------|-------------|---------------------------------------|--------------------------|----------------|
| mat'l. code  | surface     | tolerance                             | projection               | product family |
| SEE NOTES 1  | ISO 1302    | ISO 406                               | ASME Y14.5               | ECONOSTIK      |
| tr/ecn n°dr  | date        | tolerances unless otherwise specified | title                    |                |
| A NEW        | ZK 04/23/14 | XXX.X/XXX.X                           | ECONOSTIK HEADER         |                |
| B EX-N-18529 | ZK 06/14/14 | XXX.X/XXX.X                           | .100/2.54cc SR R/A       |                |
|              |             | angles                                | INCH/MM                  |                |
|              |             | 0°±2°                                 | scale 2:1                |                |
|              |             | dr                                    | ZK HU                    | 04/23/14       |
|              |             | engr                                  | ZK HU                    | 04/23/14       |
|              |             | chr                                   | RICK BIAN                | 04/23/14       |
|              |             | appl                                  | RICK BIAN                | 04/23/14       |
| sheet index  | revision    | B                                     | dwg no                   | sheet of 2     |
| 1            | 1           | 2                                     | 10129379                 | A3             |
|              |             |                                       | Product Customer Drawing |                |

PIN PLATING CODES:  
10129379-9YYXXXXLF 1u"/0.025u MIN Au OVER 50u"/1.27u MIN Ni

| PRODUCT NUMBER    | MATING LENGTH |        | TAIL LENGTH |        | BENDING DIMENSION |        |
|-------------------|---------------|--------|-------------|--------|-------------------|--------|
|                   | DIM F         | METRIC | DIM G       | METRIC | DIM H             | METRIC |
| 10129379-XY001XLF | 0.230         | 5.84   | 0.120       | 3.05   | 0.060             | 1.52   |
| 10129379-XY002XLF | 0.230         | 5.84   | 0.090       | 2.29   | 0.060             | 1.52   |
| 10129379-XY003XLF | 0.318         | 8.08   | 0.120       | 3.05   | 0.060             | 1.52   |
| 10129379-XY004XLF | 0.318         | 8.08   | 0.090       | 2.29   | 0.060             | 1.52   |

**NOTES:**

- MATERIAL  
BODAY MATERIAL: HIGH TEMPERATURE THERMOPLASTIC.  
FLAME UL94-VO, BLACK.  
PIN MATERIAL: COPPER ALLOY.
- ANY NUMBER OF POSITIONS N FROM 1 TO 36.  
PRODUCT MAYBE CUTTING TO POSITION,  
THE CUTTING PLASH IS 0.02[0.51] MAX.
- PACKING STYLE DEFINITION.  
B: PACKED WITH POLY BAG  
T: PACKED WITH TUBE  
A: PACKED WITH TAPE AND REEL WITH PICK UP CAP  
C: PACKED WITH TAPE AND REEL WITHOUT PICK UP CAP
- TWO SIDES OF PIN TIPS NOT PLATED, TYPICAL BOTH ENDS.
- 2LBS/0.9KG MIN PIN RETENTION IN EITHER DIRECTION BEFORE REFLOW.
- THE OAL DON'T EXCEED 1 INCH / 25.4MM.
- ADD LF AT THE END OF PART NUMBER IS FOR LEAD FREE.
- THESE PRODUCT MEETS EUROPEAN UNION DIRECTIVES AND OTHER COUNTRY REGULATION AS DESCRIBED IN GS-22-008.
- PRODUCT SPECIFICATION: GS-12-1223.
- THIS PRODUCT WILL WITHSTAND EXPOSURE TO 260°C PEAK TEMPERATURE FOR 20 SECONDS IN WAVE SOLDER, INFRA-RED OR VAPOR PHASE SOLDER PROCESS.

|              |          |                                       |                    |                          |
|--------------|----------|---------------------------------------|--------------------|--------------------------|
| mat'l. code  | surface  | tolerance                             | projection         | product family           |
| SEE NOTES 1  | ISD 1302 | ISD 406                               |                    | ECONOSTIK                |
| tr/tecn n°dr | date     | tolerances unless otherwise specified | title              |                          |
| B            |          | linear                                | ECONOSTIK HEADER   |                          |
|              |          | angles                                | .100/2.54cc SR R/A |                          |
|              |          | 0°±2°                                 | scale 2:1          |                          |
|              |          | dr                                    |                    | dwg no 10129379          |
|              |          | engr                                  |                    | sheet 2 of 2             |
|              |          | chr                                   |                    | A3                       |
|              |          | appl                                  |                    | Product Customer Drawing |
| sheet index  | revision |                                       |                    |                          |
|              |          |                                       |                    |                          |