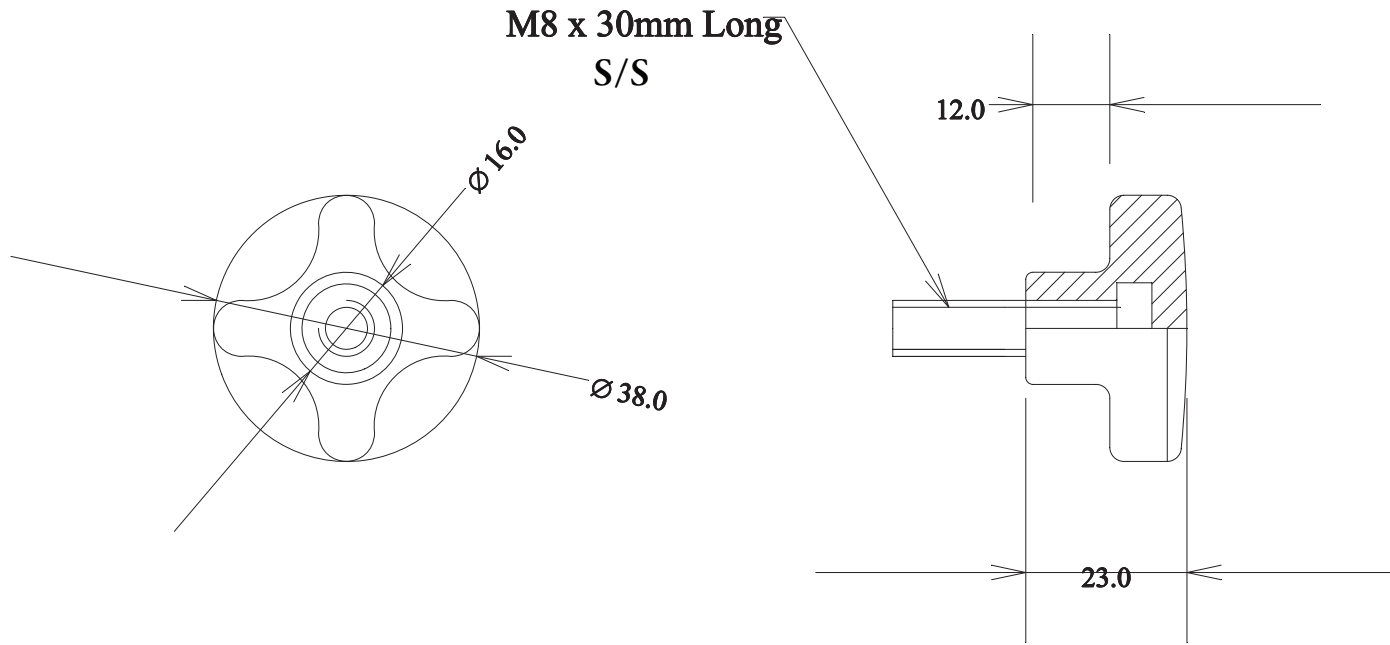




RevNo	Revision note	Date	Signature	Checked
-------	---------------	------	-----------	---------



Itemref	Quantity	Title		Article No./Reference	
		Star Knob - Polypropylene REV.2			
Designed by	Checked by	Approved by - date	Filename	Date	Scale
				06/04/10	1:1
				RS 7027734	
				Edition	Sheet
				1	1/1