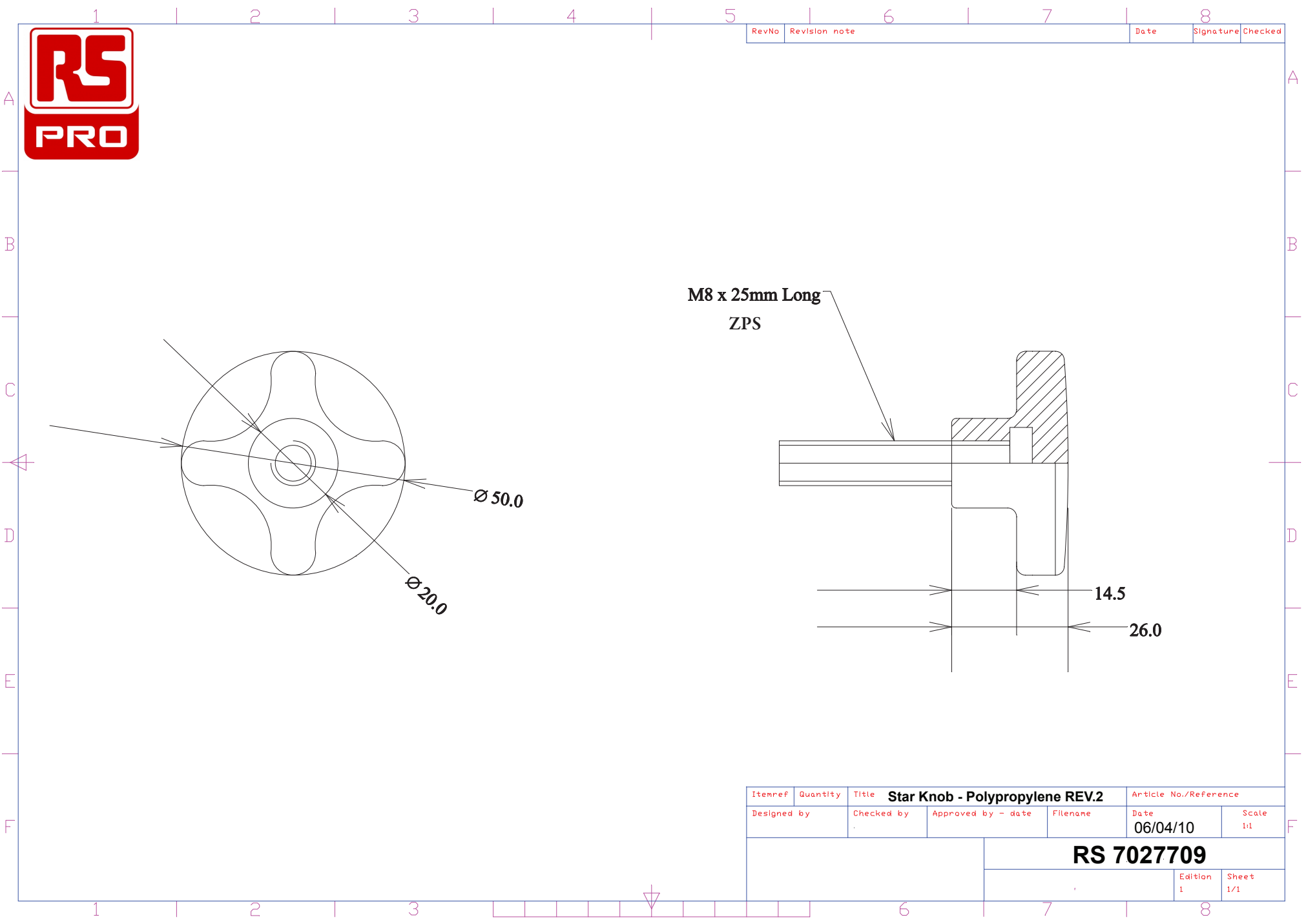




RevNo	Revision note	Date	Signature	Checked



Itemref	Quantity	Title	Star Knob - Polypropylene REV.2		Article No./Reference	
Designed by	Checked by	Approved by - date	Filename	Date	06/04/10	Scale 1:1
			RS 7027709			
			Edition 1	Sheet 1/1		