

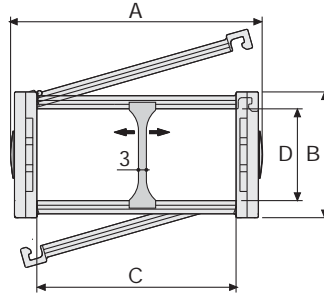
Serie Protection

435PU

Replace 435PI/PE Series

Nylon Protection Cable Chain with opening covers

Inner height (D) 35 mm
Sideband & Frame construction with large anti-friction single-pin.
Vertical separators are available.



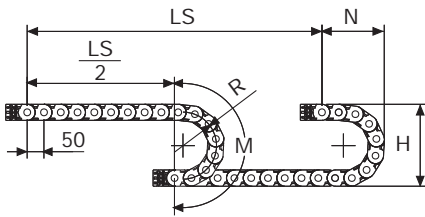
| Separator | |
|---------------|------------------|
| - Unassembled | Part.no S4353 |
| - Assembled* | Part.no S4353MCI |
| - Assembled** | Part.no S4353MCE |
| Pin | |
| | Part.no PG4353 |

* for chain opening outer radius
** for chain opening inner radius

Technical characteristics when self-supported

| | |
|--------------|---------------------|
| Speed | 10 m/s |
| Acceleration | 50 m/s ² |

For higher requirements please consult our technical dept.



Length of chain (L)
Half travel distance ($\frac{LS}{2}$)
plus length of curve (M)

$$L = \frac{LS}{2} + M$$

| A | B | C | D | R | Weight/m | Chain |
|-----|----|-----|----|---------------------|----------|----------------|
| mm | mm | mm | mm | mm | kg | Part Number |
| 60 | 49 | 40 | 35 | 075-100-125-150-200 | 1,25 | 435PU040 □□□ * |
| 70 | 49 | 50 | 35 | 075-100-125-150-200 | 1,40 | 435PU050 □□□ * |
| 80 | 49 | 60 | 35 | 075-100-125-150-200 | 1,45 | 435PU060 □□□ * |
| 96 | 49 | 76 | 35 | 075-100-125-150-200 | 1,60 | 435PU076 □□□ * |
| 117 | 49 | 97 | 35 | 075-100-125-150-200 | 1,75 | 435PU097 □□□ * |
| 123 | 49 | 103 | 35 | 075-100-125-150-200 | 1,90 | 435PU103 □□□ * |
| 145 | 49 | 125 | 35 | 075-100-125-150-200 | 2,10 | 435PU125 □□□ * |
| 170 | 49 | 150 | 35 | 075-100-125-150-200 | 2,35 | 435PU150 □□□ * |

*Complete the code by inserting the value of the radius (R): Ex. 435PU040 □ □ □ □

| R | H | N | M |
|-----|-----|-----|-----|
| mm | mm | mm | mm |
| 075 | 199 | 155 | 340 |
| 100 | 249 | 175 | 415 |
| 125 | 299 | 200 | 495 |
| 150 | 349 | 230 | 575 |
| 200 | 449 | 275 | 730 |

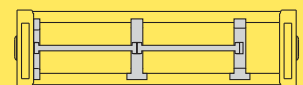


NEW
CHAIN

Serie Protection

435PU

Nylon Protection
Cable Chain with
opening covers

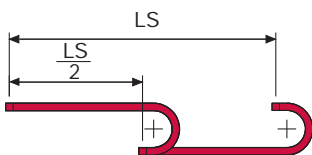
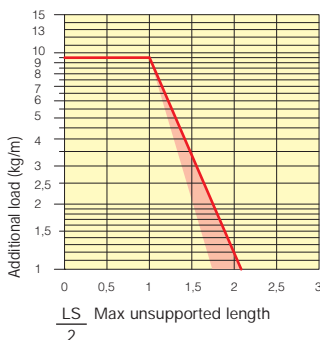


Separation System
To choose the separators see
page. 198

3

Self-Supporting Capacity Diagram

The maximum length of the self-supporting capacity ($\frac{LS}{2}$) in relationship to the weight of the cables and hoses contained per linear metre.



The red marking in the diagram area considers the difference of weight between various widths of chain.

For applications with $\frac{LS}{2}$ and weights not included in the area of the diagram showing self-supporting capacity, verify the possible use of support rollers (see page 30).

End Brackets

The end brackets set allows the two ends of the chain to be attached to the equipment. Set complete with tiewrap clamps available on request.

Nylon Type

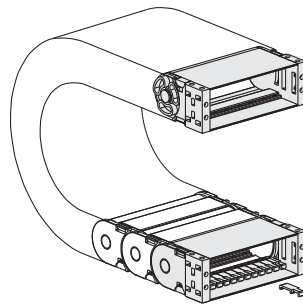


Fig. A
The chain can be fixed frontally, inner or outer radius. (Fig A)

Nylon Type

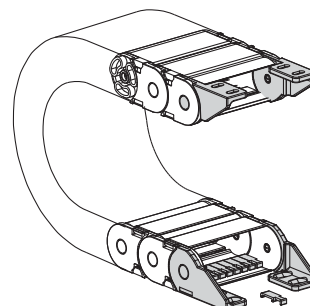
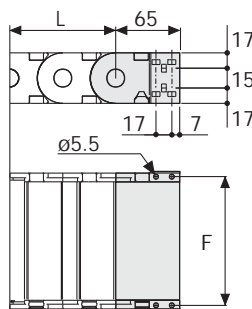


Fig. B
Chain fixed outside the radius. (Fig B)
See end brackets mounting variations page 31



| Chain Type | F mm |
|------------|------|
| 435PU040 | 51 |
| 435PU050 | 61 |
| 435PU060 | 71 |
| 435PU076 | 87 |
| 435PU097 | 108 |
| 435PU103 | 114 |
| 435PU125 | 136 |
| 435PU150 | 161 |

Nylon Type
Part Numbers

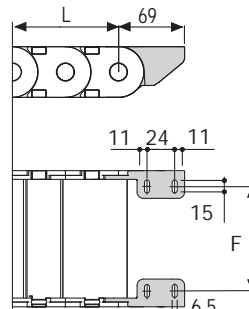
Complete Set Assembled
AN435P□□□*KM

Complete Set Unassembled
AN435P□□□*K

Tiewrap Clamp
Part Number

Complete Set Assembled
CFC435M□□□*KM

Complete Set Unassembled
CFC435M□□□*K



| Chain Type | F mm |
|------------|-------|
| 435PU040 | 26,5 |
| 435PU050 | 36,5 |
| 435PU060 | 46,5 |
| 435PU076 | 62,5 |
| 435PU097 | 83,5 |
| 435PU103 | 89,5 |
| 435PU125 | 111,5 |
| 435PU150 | 136,5 |

Nylon Type
Part Numbers

Complete Set Assembled
AN435KM□****

Complete Set Unassembled
AN435K□****

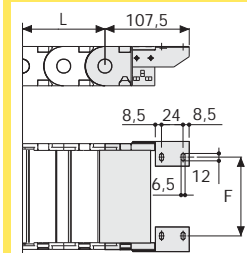
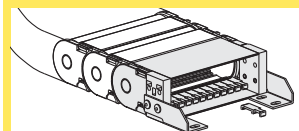
Tiewrap Clamp
Part Number

Complete Set Assembled
CFC435M□□□*KM

Complete Set Unassembled
CFC435M□□□*K

****1=Pos.1; 2=Pos.2; 3=Pos.3
5=Pos.5; 6=Pos.6

Bright Zinc Plated Steel Type***



F = A-30

Bright Zinc Plated Steel Type Part Numbers

Complete Set Assembled
A435P□□□*KM□**

Complete Set Unassembled
A435P□□□*K□**

Tiewrap Clamp
Part Number

Complete Set Assembled
CFC435M□□□*KM

Complete Set Unassembled
CFC435M□□□*K

* Inner width (C)

** 1=Pos.1; 2=Pos.2; 3=Pos.3

*** Available on request in stainless steel