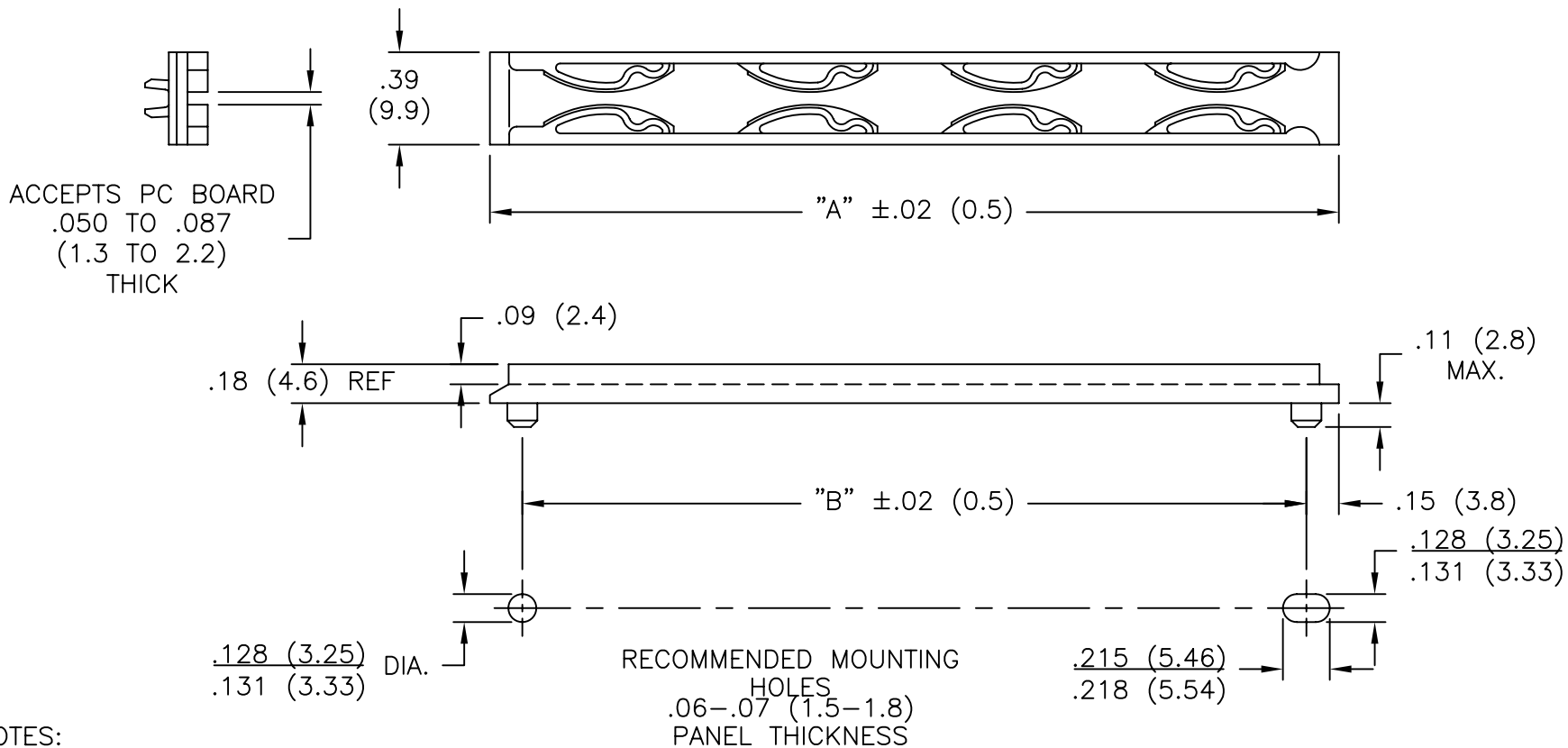


PART NO.	"A"	"B"
TRCG-2.500	2-1/2 (63.5)	2.2 (55.9)
TRCG-3.300	3.3 (83.8)	3 (76.2)
TRCG-3.925	3.93 (99.7)	3-5/8 (92.1)
TRCG-6.675	6.68 (169.6)	6-3/8 (161.9)



NOTES:
1. MAT'L: POLYCARBONATE (RMS-23)
COLOR: BLACK

REV			TITLE: TENSION RACK CARD GUIDE				DWG IN IN (MM)		FINAL		PRINT TYPE	
D	CHANGED MAX BOARD THICKNESS TO 2.2MM	SJ 02.06.02			FILE # TRCG	DWN: P.B.	APP:					
C	CHANGED FILE NUMBER	SM 05.11.01	TOLERANCES UNLESS NOTED		MAT'L: SEE NOTES	DT: 09-14-94	DT:	PART #		PRINT TYPE		
B	DIM'S PUT TO 3 PLACES; DIM. .093 REMOVED	PB 08.18.95	.XX=±.010 .XXX=±.010 FRAC=1/64 ANG=1°		RE: RICHCO, INC.	RICHCO INC. PO BOX 804238, CHICAGO, 60680 (773) 539-4060		SEE TABLE		CA		
A	RECOMMENDED MOUNTING HOLES ADDED; DIM. .128 DIA. HOLE WAS .123 DIA. HOLE; NOTE 1 ADDED	PB 06.09.95										
REV	DESCRIPTION	ENGR DATE										